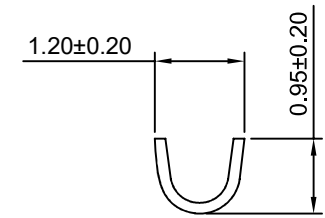
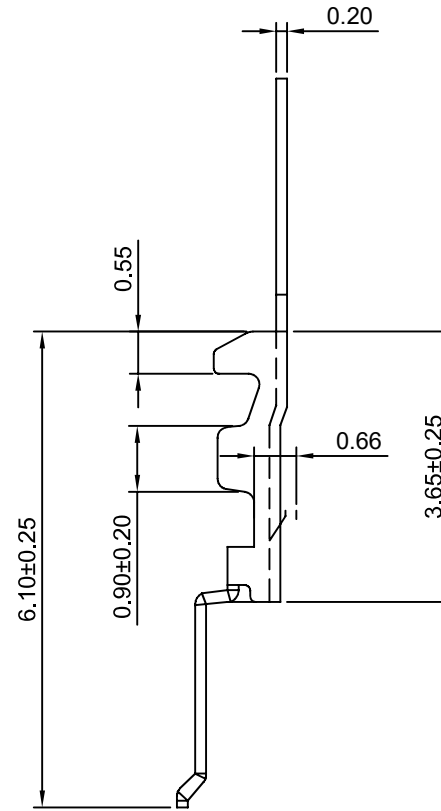
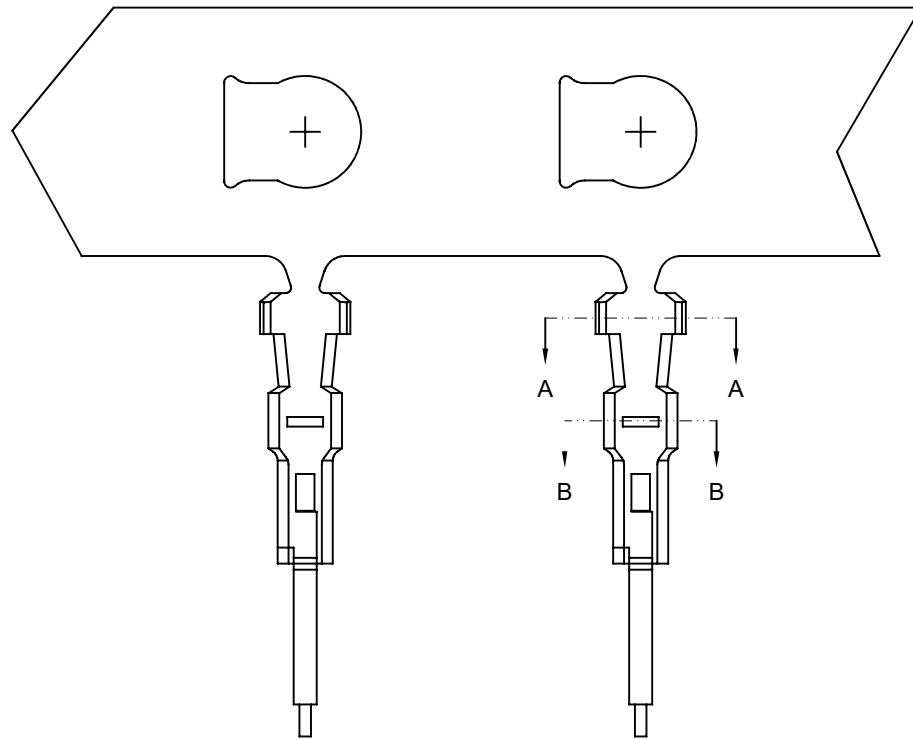
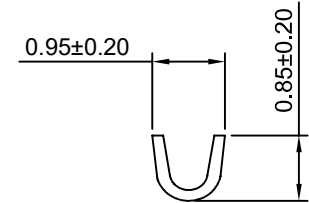


修订 REV	标记 MARK	修改摘要 REVISION DESCRIPTION	签名 SIGNATURE	日期 DATE
AO		NEW RELEASE	WANG	2011-05-10



SEC:A-A



SEC:B-B

Ordering information & Specifications

Unit:mm

Part No	Wire Range	Insultion O.D.	Material	Finish	Qty/reel
HDGC0501A-GP	AWG#30-#32	0.50mm(max)	Phosphor Bronze	Gold-flash	15,000 PCS



深圳市华德共创科技有限公司

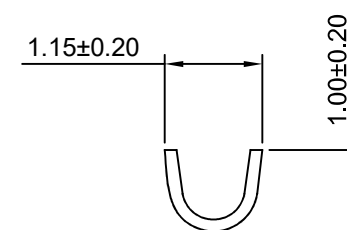
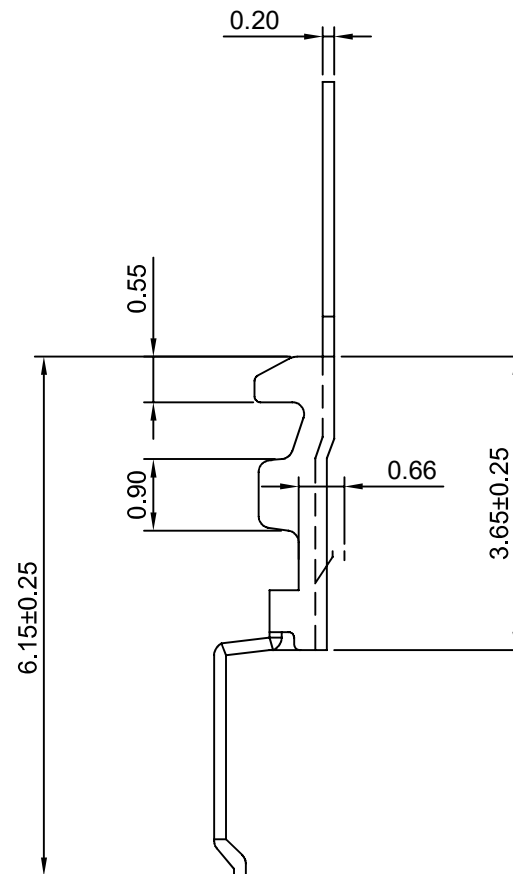
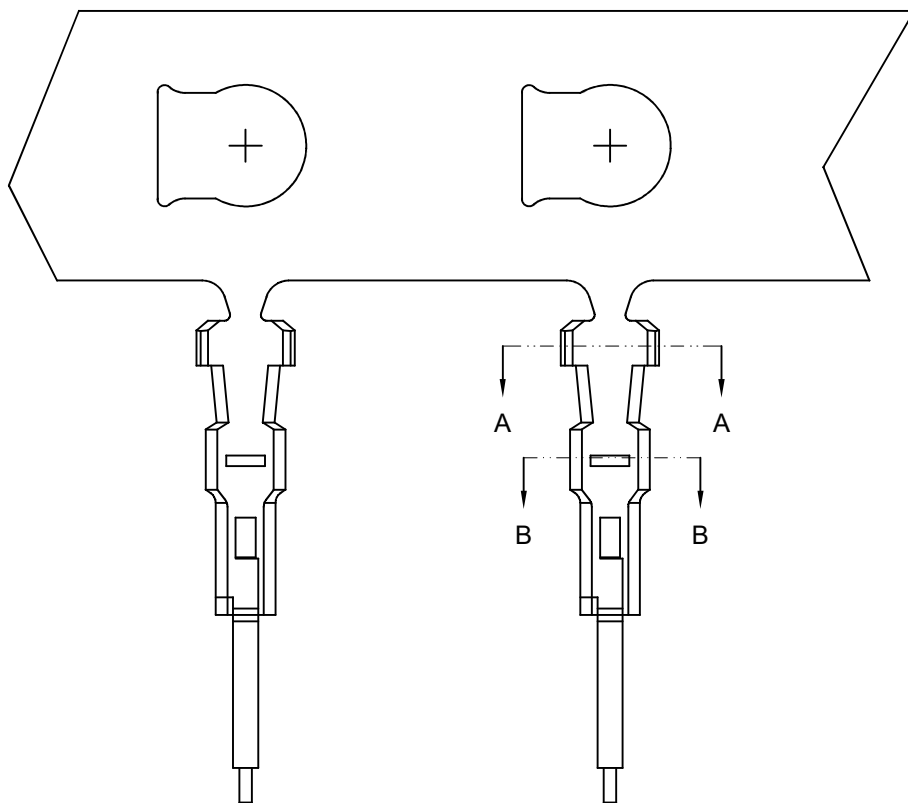
Shenzhen Huade co-create Technology Co.,LTD

TEL : 0755-27129737

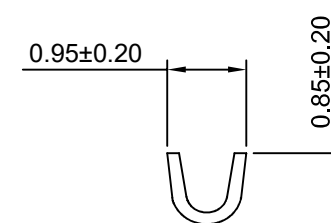
FAX : 0755-29940187

-TOLERANCES- UNLESS OTHERWISE SPECIFIED 公差参数表						TITLE: 0.50mm Pitch 产品名称: Crimp Terminal			
X.X	±0.30	X.X°	±3°	APPD: 核准:	XIE	PART NO: 产品编号: HDGC0501A-T			
X.XX	±0.30	X.XX°	±2°	CHECK: 校对:	WANG	DATE	SCALE	UNIT	CODE NUMBER
X.XXX	±0.10	X.XXX°	±1°	DRAW: 绘图:	WANG	2011-05-10	8:1	mm	A008

修订 REV	标记 MARK	修改摘要 REVISION DESCRIPTION	签名 SIGNATURE	日期 DATE
AO		NEW RELEASE	WANG	2013-10-30



SEC:A-A



SEC:A-A

Ordering information & Specifications

Unit:mm

Part No	Wire Range	Insultion O.D.	Material	Finish	Qty/reel
HDGC0501B-GP	AWG#30-#32	0.50mm(max)	Phosphor Bronze	Gold-flash	15,000 PCS



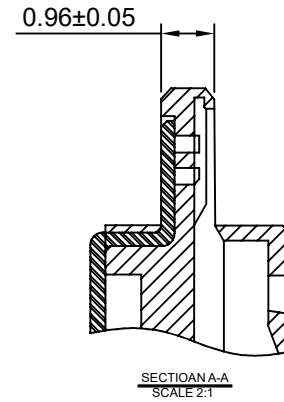
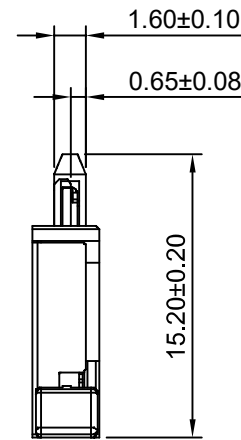
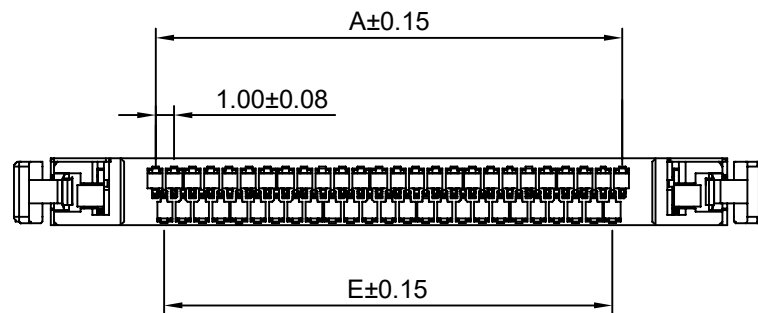
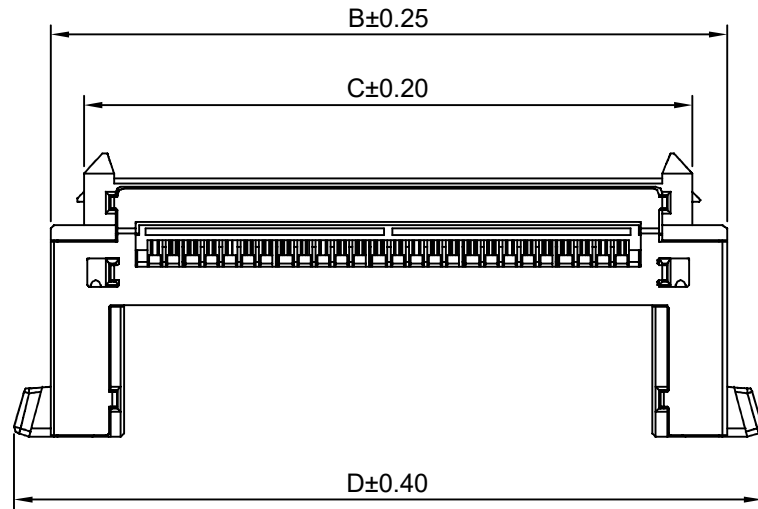
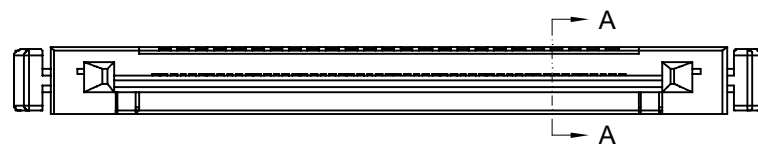
深圳市华德共创科技有限公司

Shenzhen Huade co-create Technology Co.,LTD

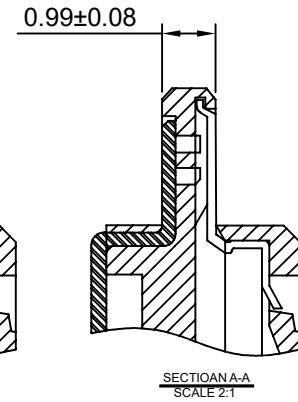
TEL : 0755-27129737 FAX : 0755-29940187

-TOLERANCES- UNLESS OTHERWISE SPECIFIED 公差参数表						TITLE: 0.50mm Pitch 产品名称: Crimp Terminal			
X.X	±0.30	X.X°	±3°	APPD: 核准:	XIE	PART NO: 产品编号: HDGC0501B-T			
X.XX	±0.30	X.XX°	±2°	CHECK: 校对:	WANG	DATE	SCALE	UNIT	CODE NUMBER
X.XXX	±0.10	X.XXX°	±1°	DRAW: 绘图:	WANG	2013-10-30	8:1	mm	A008

修订 REV	标记 MARK	修改摘要 REVISION DESCRIPTION	签名 SIGNATURE	日期 DATE
AO		NEW RELEASE	WANG	2013-10-30



Without Terminal



With Terminal

Ordering Information & Dimensions

Circuits	Dimensions(mm)				
	A	B	C	D	E
41P	20.00	31.50	27.60	36.00	19.00
51P	25.00	36.50	32.60	41.00	24.00

Specifications :  
Voltage rating: 200V AC / DC  
Current rating: 0.8A AC / DC  
Withstanding voltage: 500V AC/minute  
Temperature range: -25°C~+80°C  
Insulation resistance: ≥100MΩ  
Contact resistance: ≤50mΩ  
After environmental testing: ≤80mΩ  
Pin Material: Brass/Tin-plated  
Material: Nylon 46,UL94V-0(Black)

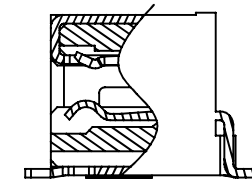
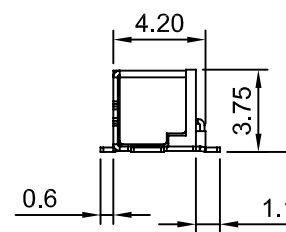
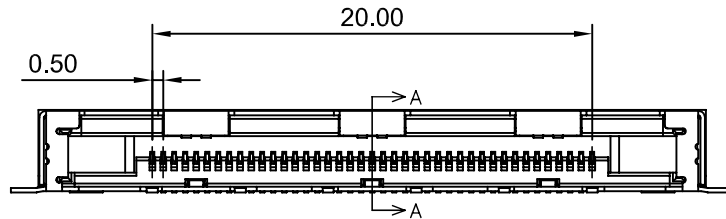
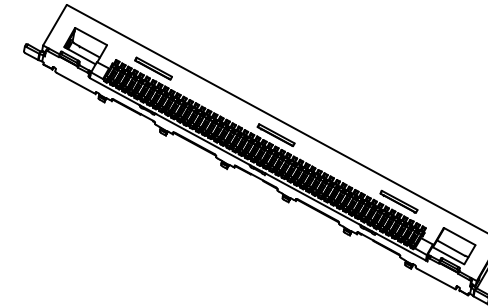
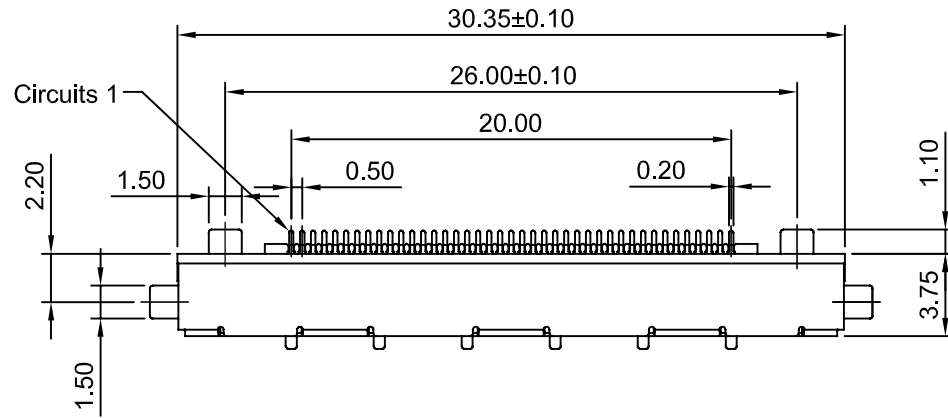


深圳市华德共创科技有限公司

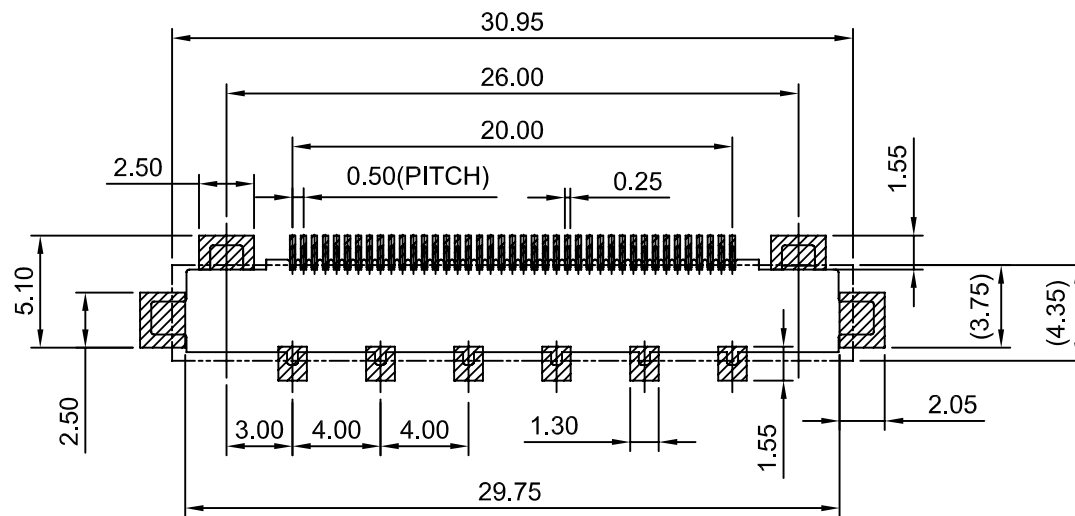
Shenzhen Huade co-create Technology Co.,LTD  
TEL : 0755-27129737 FAX : 0755-29940187

-TOLERANCES- UNLESS OTHERWISE SPECIFIED 公差参数表						TITLE: 产品名称 : 0.50mm Pitch Housing			
X.X	±0.30	X.X°	±3°	APPD: 核准 :	XIE	PART NO: 产品编号 : HDGC0501H-XP			
X.XX	±0.30	X.XX°	±2°	CHECK: 校对 :	WANG	DATE	SCALE	UNIT	CODE NUMBER
X.XXX	±0.10	X.XXX°	±1°	DRAW: 绘图 :	WANG	2013-10-30	2.5:1	mm	A008

修订 REV	标记 MARK	修改摘要 REVISION DESCRIPTION	签名 SIGNATURE	日期 DATE
AO		NEW RELEASE	WANG	2013-10-30



SECTION A-A  
SCALE 2:1



P.C.B LAYOUT

**Specifications :**

Current rating: 0.4A AC / DC  
Voltage rating: 50V AC / DC  
Temperature range: -25°C~+85°C  
Contact resistance: ≤50mΩ  
Insulation resistance: ≥100MΩ  
Withstanding voltage: 500V AC/minute  
After environmental testing: ≤80mΩ  
Pin Material: Phosphor Bronze/Gold Over Nickel  
Material: Nylon 46,UL94V-0(Black)



深圳市华德共创科技有限公司

Shenzhen Huade co-create Technology Co.,LTD

TEL : 0755-27129737

FAX : 0755-29940187

-TOLERANCES- UNLESS OTHERWISE SPECIFIED 公差参数表						TITLE: 0.50mm Pitch 90° 产品名称: Wafer - SMT TYPE			
X.X	±0.30	X.X°	±3°	APPD: 核准:	XIE	PART NO: 产品编号: HDGC0501WR-S-XP			
X.XX	±0.30	X.XX°	±2°	CHECK: 校对:	WANG	DATE	SCALE	UNIT	CODE NUMBER
X.XXX	±0.10	X.XXX°	±1°	DRAW: 绘图:	WANG	2013-10-30	3:1	mm	A008