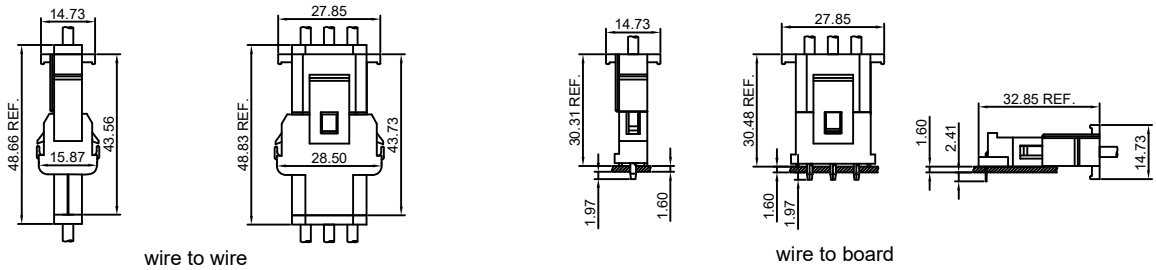


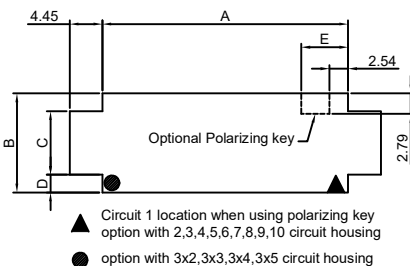
Specifications

- Current rating:13.5A AC,DC(Max)
- Voltage rating:600V AC,DC
- Temperature range:-25°C~+85°C
- Contact resistance:3.5mΩ Max.
- Insulation resistance:1000MΩ Min.
- Withstanding voltage:5000V AC/minute
- *Compliant with RoHS and REACH*
- *Meet the HF/Halogen Free,GWT/Glow wire Test (IEC60335-1) request,need to customize*
- *Contact HDGC for details*

Assembly layout



Panel hole layout



PART NO.	Dimensions				
	A	B	C	D	E
HDGC6351HM-2P	14.35	13.46	8.64	2.41	6.35
HDGC6351HM-3P	20.70	13.46	8.64	2.41	6.35
HDGC6351HM-4P	27.05	13.46	8.64	2.41	6.35
HDGC6351HM-5P	33.40	13.46	8.64	2.41	6.35
HDGC6351HM-6P	39.75	13.46	8.64	2.41	6.35
HDGC6351HM-7P	46.10	13.46	8.64	2.41	6.35
HDGC6351HM-8P	52.45	13.46	8.64	2.41	6.35
HDGC6351HM-9P	58.80	13.46	8.64	2.41	6.35
HDGC6351HM-10P	65.15	13.46	8.64	2.41	6.35
HDGC6351HM-3x2P	14.35	26.16	12.19	6.99	6.35
HDGC6351HM-3x3P	20.70	26.16	12.19	6.99	6.35
HDGC6351HM-3x4P	27.05	26.16	12.19	6.99	8.89
HDGC6351HM-3x5P	33.40	26.16	12.19	6.99	8.89

Unit:mm



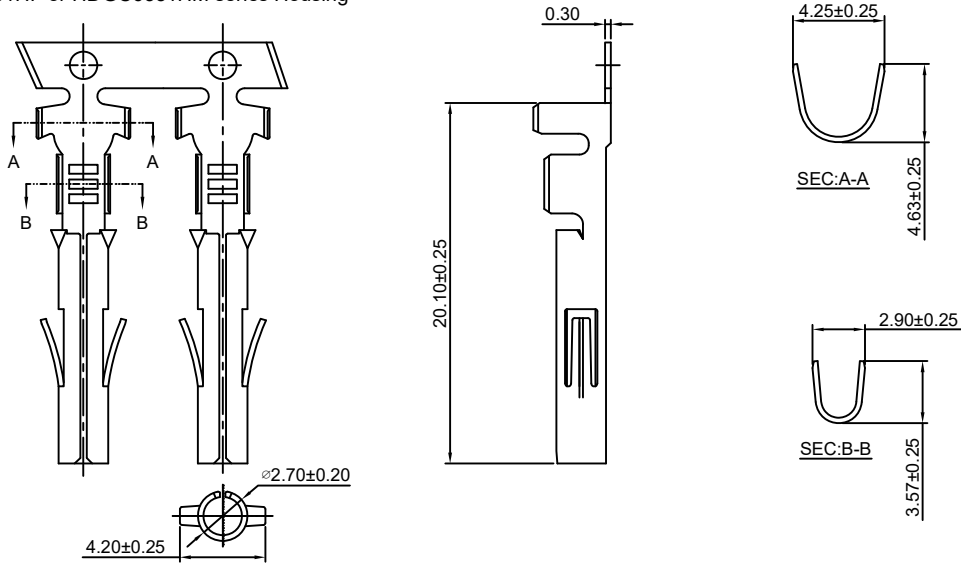
HDGC6351 Series 6.35mm (.250") Pitch Wire to Board and Wire to Wire Connector

HDGC6351F-T

6.35mm pitch Crimp Terminal

Reference Informations:

*Used in HDGC6351HF or HDGC6351HM series Housing



Ordering information & Specifications:

Unit:mm

Part NO.	Wire Range	Insulation O.D.	Material	Finish	Qty/reel
HDGC6351F-TB	AWG#14-#20	3.30mm(max)	Brass	Tin over Nickel	4,000 PCS
HDGC6351F-TP	AWG#14-#20	3.30mm(max)	Phosphor Bronze	Tin over Nickel	4,000 PCS
HDGC6351F-GB	AWG#14-#20	3.30mm(max)	Brass	Gold over Nickel	4,000 PCS
HDGC6351F-GP	AWG#14-#20	3.30mm(max)	Phosphor Bronze	Gold over Nickel	4,000 PCS

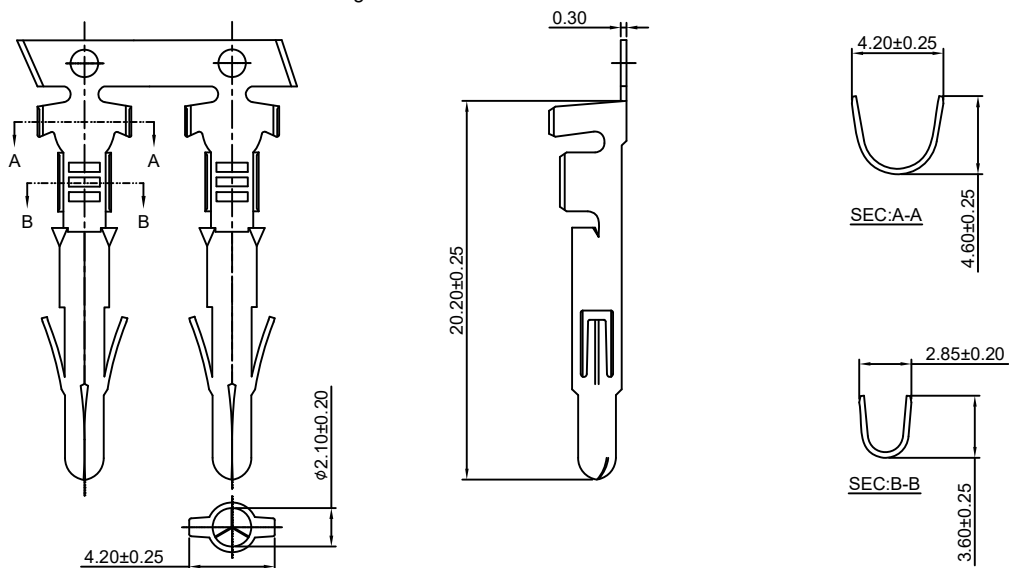
Optional Gold plating available but MOQ requested

HDGC6351M-T

6.35mm pitch Crimp Terminal

Reference Informations:

*Used in HDGC6351HF or HDGC6351HM series Housing



Ordering information & Specifications:

Unit:mm

Part NO.	Wire Range	Insulation O.D.	Material	Finish	Qty/reel
HDGC6351M-TB	AWG#14-#20	3.30mm(max)	Brass	Tin over Nickel	4,000 PCS
HDGC6351M-TP	AWG#14-#20	3.30mm(max)	Phosphor Bronze	Tin over Nickel	4,000 PCS
HDGC6351M-GB	AWG#14-#20	3.30mm(max)	Brass	Gold over Nickel	4,000 PCS
HDGC6351M-GP	AWG#14-#20	3.30mm(max)	Phosphor Bronze	Gold over Nickel	4,000 PCS

Optional Gold plating available but MOQ requested



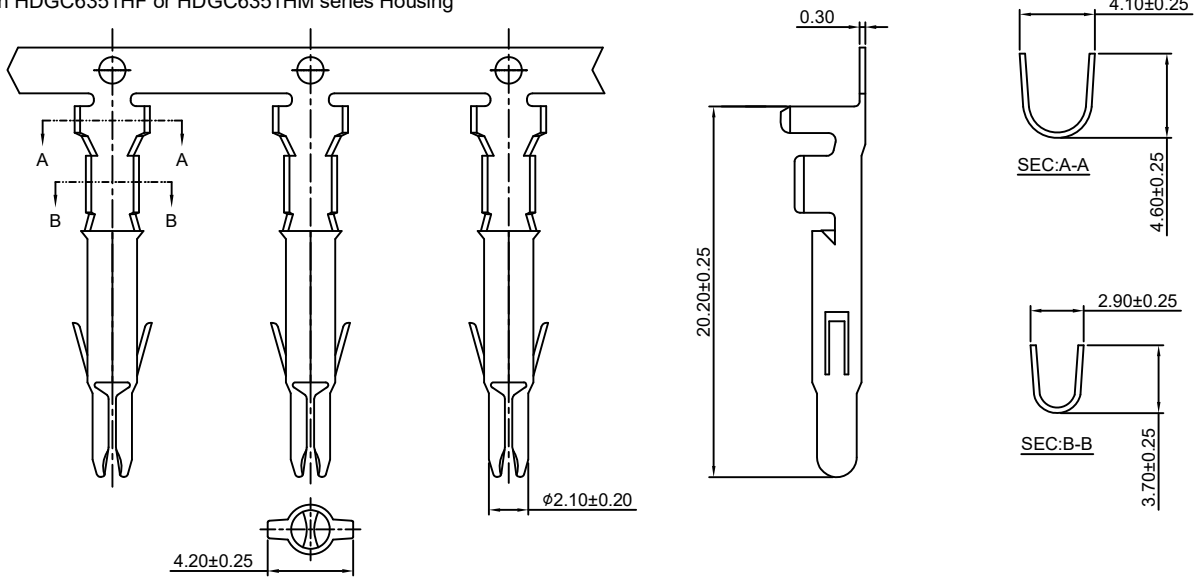
HDGC6351 Series 6.35mm (.250") Pitch Wire to Board and Wire to Wire Connector

HDGC6351MA-T

6.35mm pitch Crimp Terminal

Reference Informations:

*Used in HDGC6351HF or HDGC6351HM series Housing



Ordering information & Specifications:

Unit:mm

Part NO.	Wire Range	Insulation O.D.	Material	Finish	Qty/reel
HDGC6351MA-TB	AWG#16-#20	3.30mm(max)	Brass	Tin over Nickel	4,000 PCS
HDGC6351MA-TP	AWG#16-#20	3.30mm(max)	Phosphor Bronze	Tin over Nickel	4,000 PCS
HDGC6351MA-GB	AWG#16-#20	3.30mm(max)	Brass	Gold over Nickel	4,000 PCS
HDGC6351MA-GP	AWG#16-#20	3.30mm(max)	Phosphor Bronze	Gold over Nickel	4,000 PCS

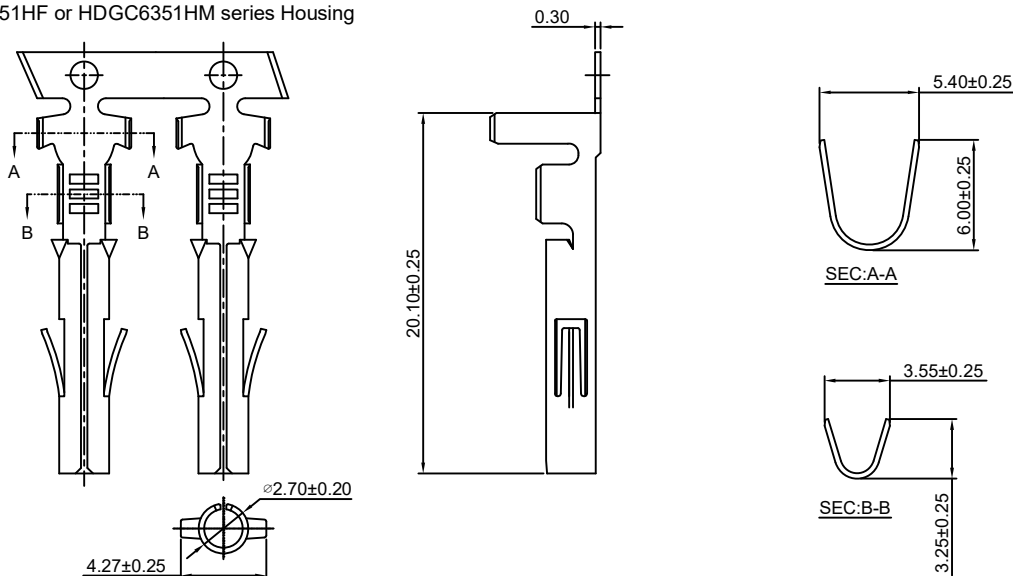
Optional Gold plating available but MOQ requested

HDGC6351F-T-H

6.35mm pitch Crimp Terminal

Reference Informations:

*Used in HDGC6351HF or HDGC6351HM series Housing



Ordering information & Specifications:

Unit:mm

Part NO.	Wire Range	Insulation O.D.	Material	Finish	Qty/reel
HDGC6351F-TB-H	AWG#12-#14	4.30mm(max)	Brass	Tin over Nickel	2,500 PCS
HDGC6351F-TP-H	AWG#12-#14	4.30mm(max)	Phosphor Bronze	Tin over Nickel	2,500 PCS
HDGC6351F-GB-H	AWG#12-#14	4.30mm(max)	Brass	Gold over Nickel	2,500 PCS
HDGC6351F-GP-H	AWG#12-#14	4.30mm(max)	Phosphor Bronze	Gold over Nickel	2,500 PCS

Optional Gold plating available but MOQ requested



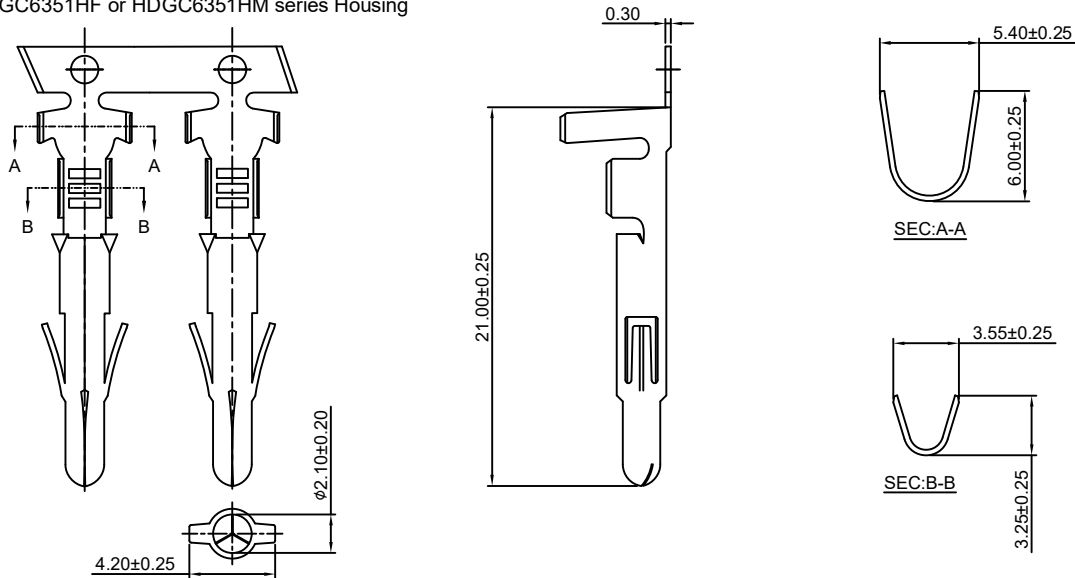
HDGC6351 Series 6.35mm (.250") Pitch Wire to Board and Wire to Wire Connector

HDGC6351M-T-H

6.35mm pitch Crimp Terminal

Reference Informations:

*Used in HDGC6351HF or HDGC6351HM series Housing



Ordering information & Specifications:

Unit:mm

Part NO.	Wire Range	Insulation O.D.	Material	Finish	Qty/reel
HDGC6351M-TB-H	AWG#12-#14	4.30mm(max)	Brass	Tin over Nickel	2,500 PCS
HDGC6351M-TP-H	AWG#12-#14	4.30mm(max)	Phosphor Bronze	Tin over Nickel	2,500 PCS
HDGC6351M-GB-H	AWG#12-#14	4.30mm(max)	Brass	Gold over Nickel	2,500 PCS
HDGC6351M-GP-H	AWG#12-#14	4.30mm(max)	Phosphor Bronze	Gold over Nickel	2,500 PCS

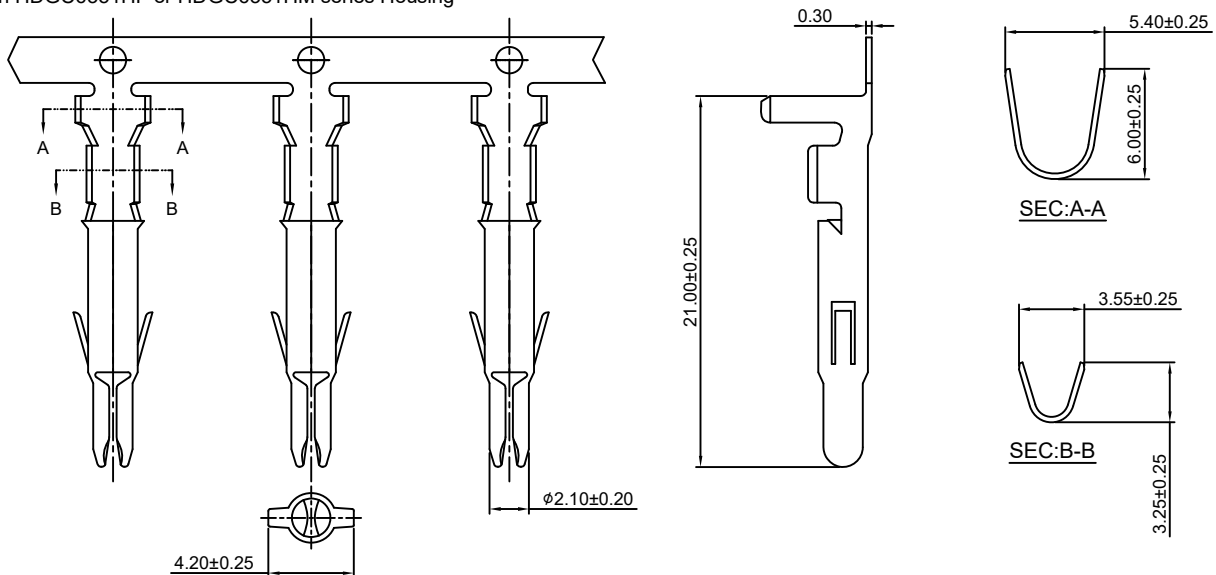
Optional Gold plating available but MOQ requested

HDGC6351MA-T-H

6.35mm pitch Crimp Terminal

Reference Informations:

*Used in HDGC6351HF or HDGC6351HM series Housing



Ordering information & Specifications:

Unit:mm

Part NO.	Wire Range	Insulation O.D.	Material	Finish	Qty/reel
HDGC6351MA-TB-H	AWG#12-#14	4.30mm(max)	Brass	Tin over Nickel	2,500 PCS
HDGC6351MA-TP-H	AWG#12-#14	4.30mm(max)	Phosphor Bronze	Tin over Nickel	2,500 PCS
HDGC6351MA-GB-H	AWG#12-#14	4.30mm(max)	Brass	Gold over Nickel	2,500 PCS
HDGC6351MA-GP-H	AWG#12-#14	4.30mm(max)	Phosphor Bronze	Gold over Nickel	2,500 PCS

Optional Gold plating available but MOQ requested



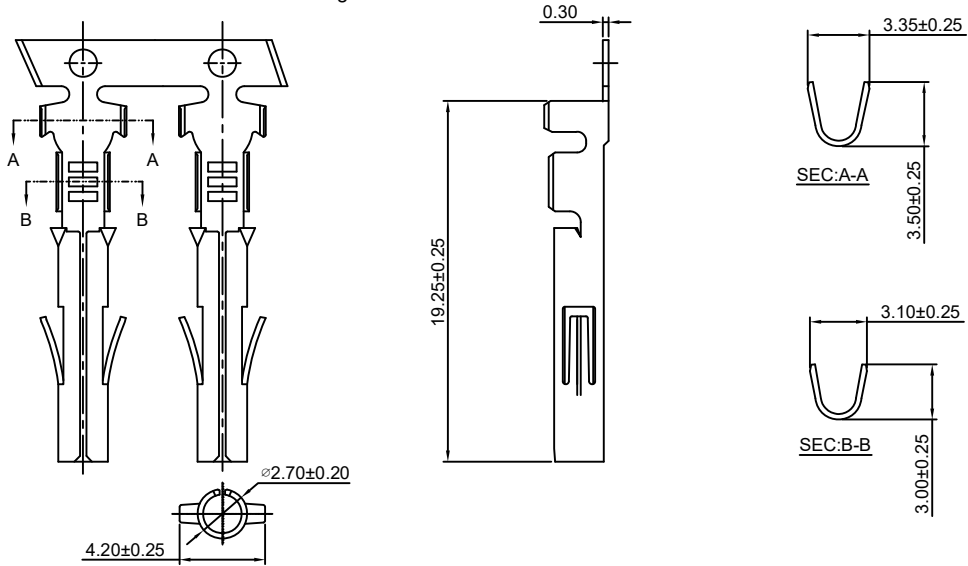
HDGC6351 Series 6.35mm (.250") Pitch Wire to Board and Wire to Wire Connector

HDGC6351F-T-L

6.35mm pitch Crimp Terminal

Reference Informations:

*Used in HDGC6351HF or HDGC6351HM series Housing



Ordering information & Specifications:

Unit:mm

Part NO.	Wire Range	Insulation O.D.	Material	Finish	Qty/reel
HDGC6351F-TB-L	AWG#18-#24	2.54mm(max)	Brass	Tin over Nickel	5,000 PCS
HDGC6351F-TP-L	AWG#18-#24	2.54mm(max)	Phosphor Bronze	Tin over Nickel	5,000 PCS
HDGC6351F-GB-L	AWG#18-#24	2.54mm(max)	Brass	Gold over Nickel	5,000 PCS
HDGC6351F-GP-L	AWG#18-#24	2.54mm(max)	Phosphor Bronze	Gold over Nickel	5,000 PCS

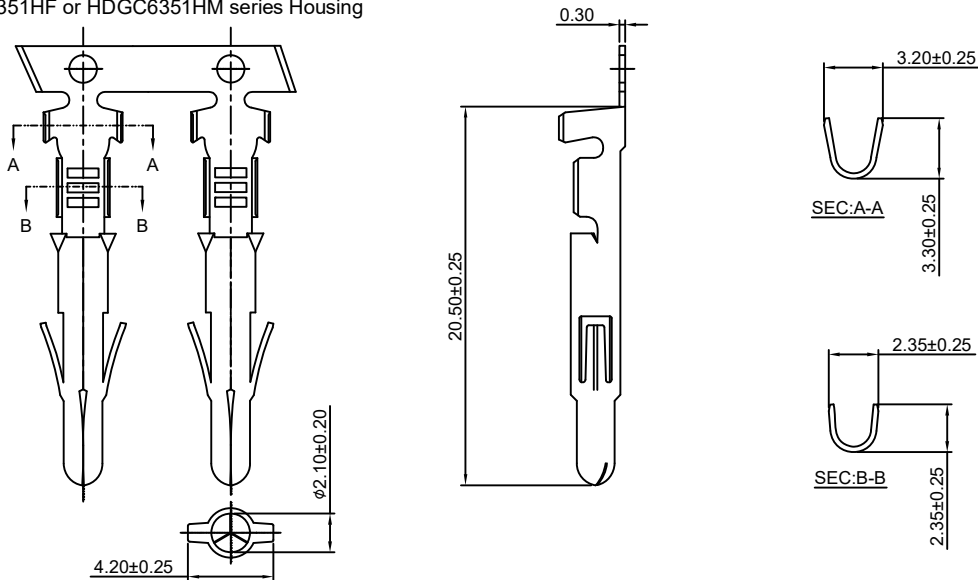
Optional Gold plating available but MOQ requested

HDGC6351M-T-L

6.35mm pitch Crimp Terminal

Reference Informations:

*Used in HDGC6351HF or HDGC6351HM series Housing



Ordering information & Specifications:

Unit:mm

Part NO.	Wire Range	Insulation O.D.	Material	Finish	Qty/reel
HDGC6351M-TB-L	AWG#18-#24	2.54mm(max)	Brass	Tin over Nickel	5,000 PCS
HDGC6351M-TP-L	AWG#18-#24	2.54mm(max)	Phosphor Bronze	Tin over Nickel	5,000 PCS
HDGC6351M-GB-L	AWG#18-#24	2.54mm(max)	Brass	Gold over Nickel	5,000 PCS
HDGC6351M-GP-L	AWG#18-#24	2.54mm(max)	Phosphor Bronze	Gold over Nickel	5,000 PCS

Optional Gold plating available but MOQ requested



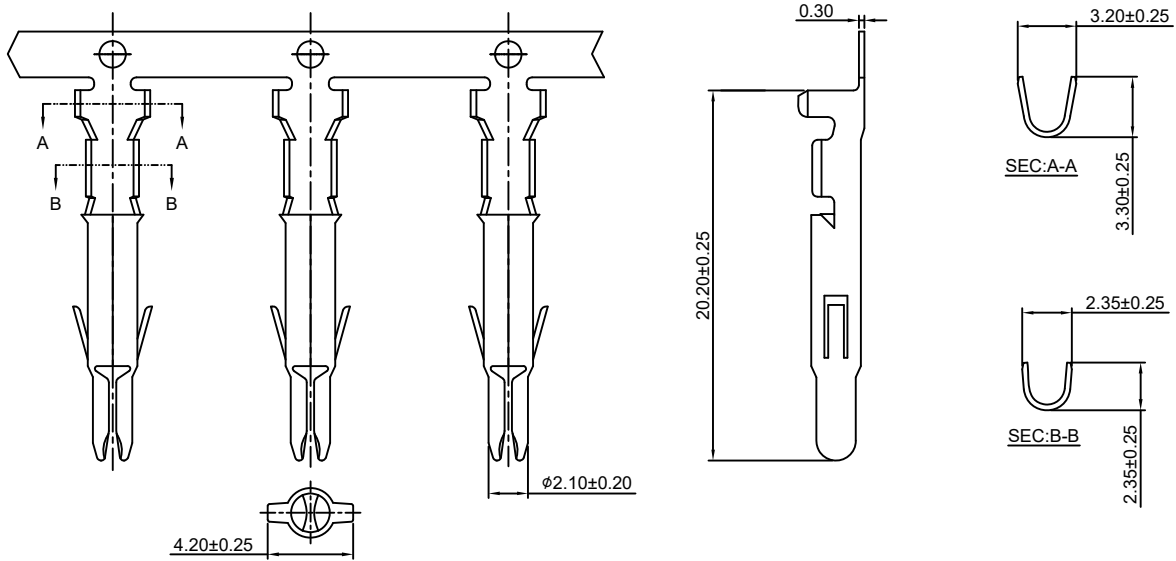
HDGC6351 Series 6.35mm (.250") Pitch Wire to Board and Wire to Wire Connector

HDGC6351MA-T-L

6.35mm pitch Crimp Terminal

Reference Informations:

*Used in HDGC6351HF or HDGC6351HM series Housing



Ordering information & Specifications:

Unit:mm

Part NO.	Wire Range	Insulation O.D.	Material	Finish	Qty/reel
HDGC6351MA-TB-L	AWG#18-#24	2.54mm(max)	Brass	Tin over Nickel	5,000 PCS
HDGC6351MA-TP-L	AWG#18-#24	2.54mm(max)	Phosphor Bronze	Tin over Nickel	5,000 PCS
HDGC6351MA-GB-L	AWG#18-#24	2.54mm(max)	Brass	Gold over Nickel	5,000 PCS
HDGC6351MA-GP-L	AWG#18-#24	2.54mm(max)	Phosphor Bronze	Gold over Nickel	5,000 PCS

Optional Gold plating available but MOQ requested



HDGC6351 Series 6.35mm (.250") Pitch Wire to Board and Wire to Wire Connector

HDGC6351H

6.35mm pitch Single Row Housing

Reference Informations:

- *Material: Nylon 66, UL94V-2 or UL94V-0
- *HDGC6351HF/HM Suitable HDGC6351F-T(-H/-L) or HDGC6351M-T(-H/-L) or HDGC6351MA-T(-H/-L) series Terminal
- *Mates with HDGC6351 series Single row Housing or HDGC6351 series Single row Wafer
- *Color: Natural

Ordering Information:

- HDGC6351HF<HFA>-XP - ***
- | | |
|---|---|
| 1 | 2 |
|---|---|
- 1.Part No.
2.Material:
(blank):Nylon 66,UL94V-2/Natural
V0:Nylon 66,UL94V-0/White
GWT:Nylon 66,UL94V-0,GWT 750°C

Ordering Information:

- HDGC6351HM<HMA>-XP - ***
- | | |
|---|---|
| 1 | 2 |
|---|---|
- 1.Part No.
2.Material:
(blank):Nylon 66,UL94V-2/Natural
V0:Nylon 66,UL94V-0/White
GWT:Nylon 66,UL94V-0,GWT 750°C

HDGC6351HF<HFA>	HDGC6351HM
<p><u>HDGC6351HF-1P</u></p>	<p><u>HDGC6351HM-1P</u></p>
<p><u>HDGC6351HF-2P</u> <u>HDGC6351HF-2P-A(With Post)</u></p>	<p><u>HDGC6351HM-2P</u></p>
<p><u>HDGC6351HFA-2P</u> <u>HDGC6351HFA-2P-A(With Post)</u></p>	<p><u>HDGC6351HM-3P</u></p>
<p><u>HDGC6351HF-3P</u></p>	<p><u>HDGC6351HM-3P</u></p>
<p><u>HDGC6351HFA-3P</u></p>	<p><u>HDGC6351HM-3P</u></p>



HDGC6351 Series 6.35mm (.250") Pitch Wire to Board and Wire to Wire Connector

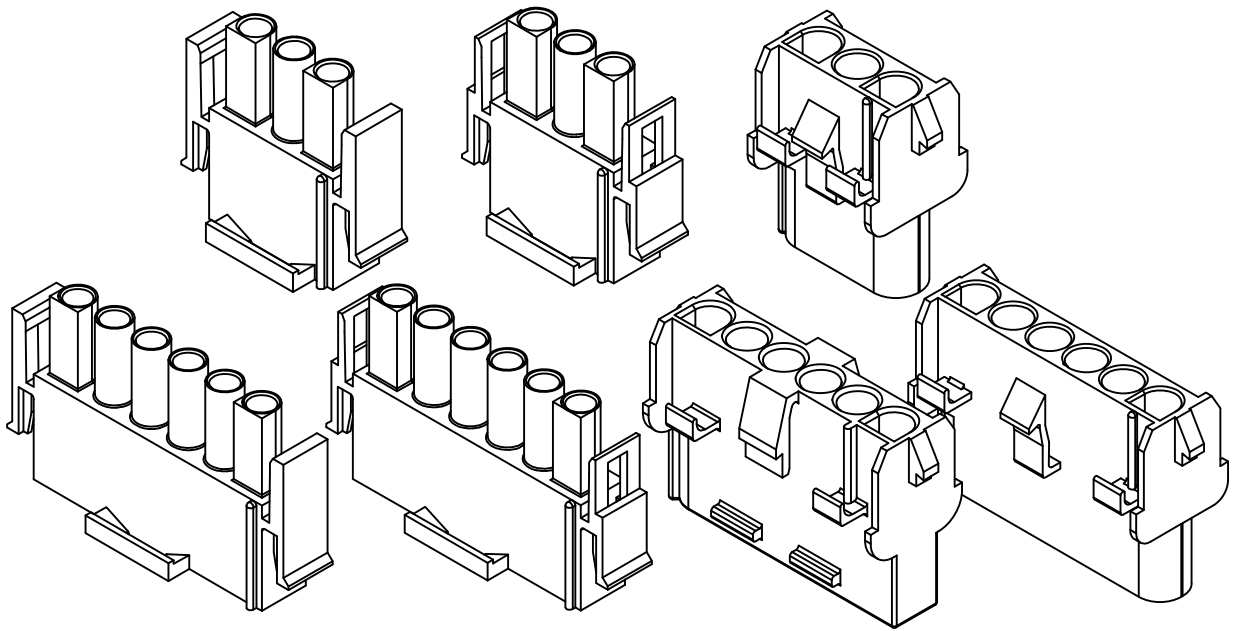
HDGC6351HF<HFA>	HDGC6351HM
<p><u>HDGC6351HF-4P</u></p>	<p><u>HDGC6351HM-4P</u></p>
<p><u>HDGC6351HFA-4P</u></p>	<p><u>HDGC6351HM-5P</u></p>
<p><u>HDGC6351HF-5P</u></p>	<p><u>HDGC6351HFA-5P</u></p>

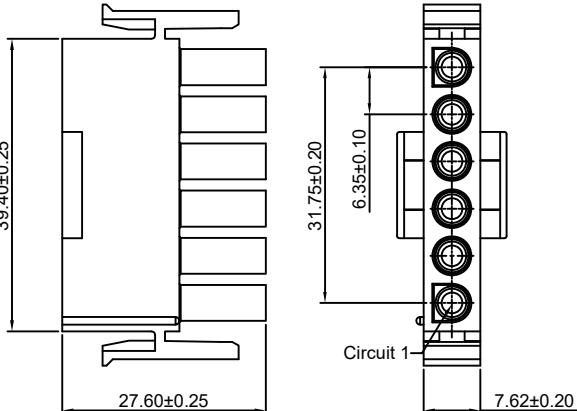
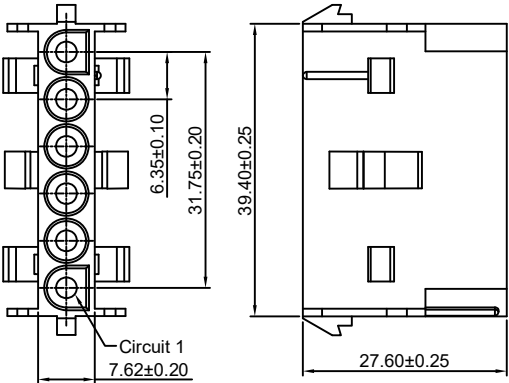
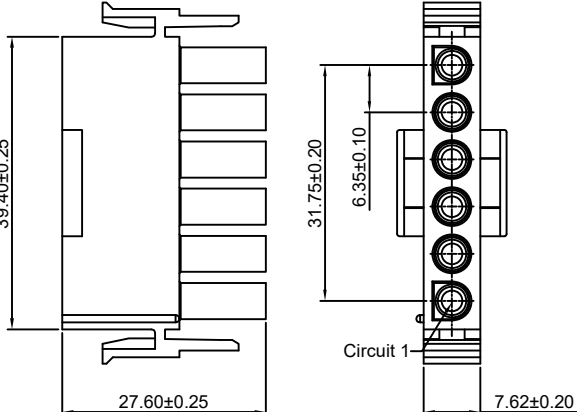
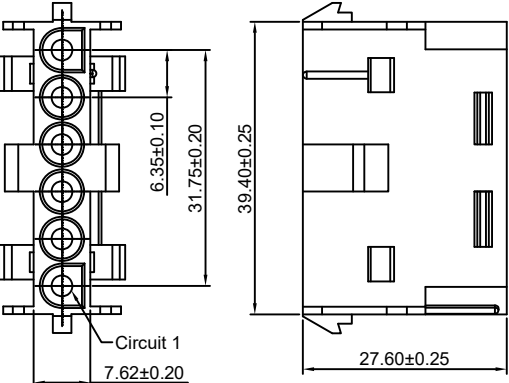


HDGC6351 SERIES



HDGC6351 Series 6.35mm (.250") Pitch Wire to Board and Wire to Wire Connector



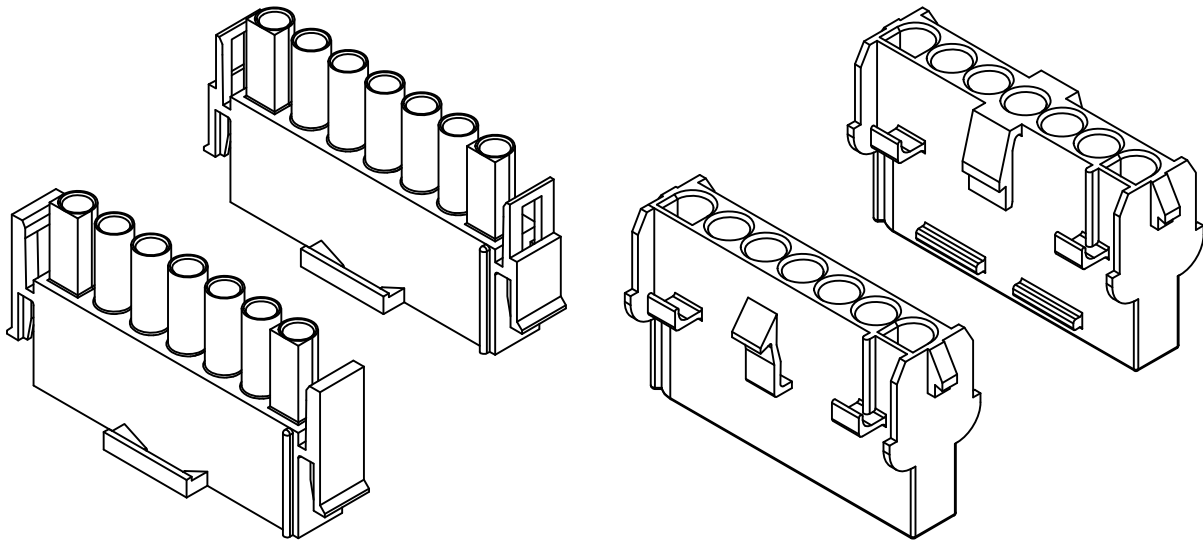
HDGC6351HF<HFA>	HDGC6351HM<HMA>
<p data-bbox="145 992 316 1014">HDGC6351HF-6P</p> 	<p data-bbox="836 992 1007 1014">HDGC6351HM-6P</p> 
<p data-bbox="145 1529 331 1552">HDGC6351HFA-6P</p> 	<p data-bbox="836 1529 1023 1552">HDGC6351HMA-6P</p> 

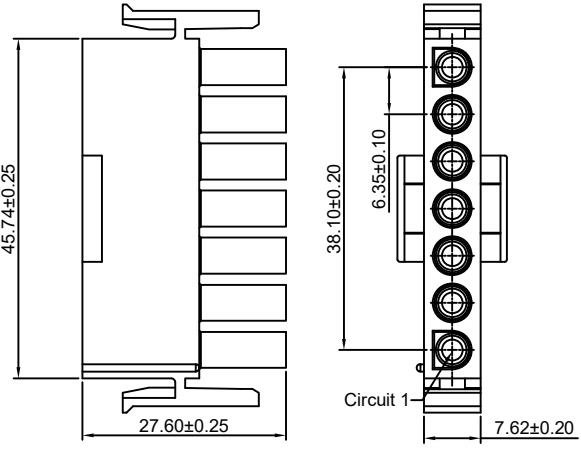
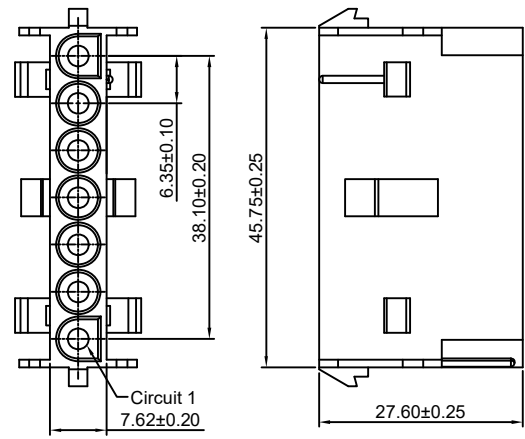
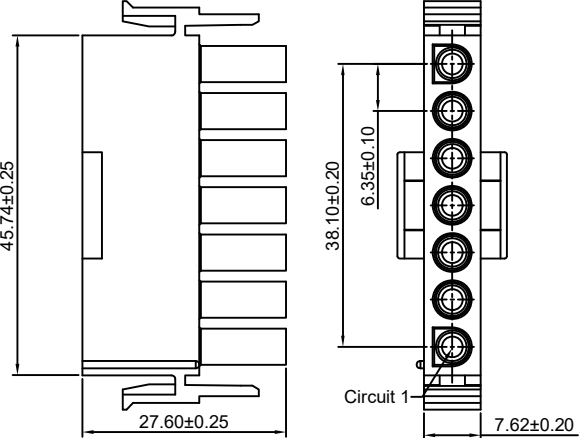
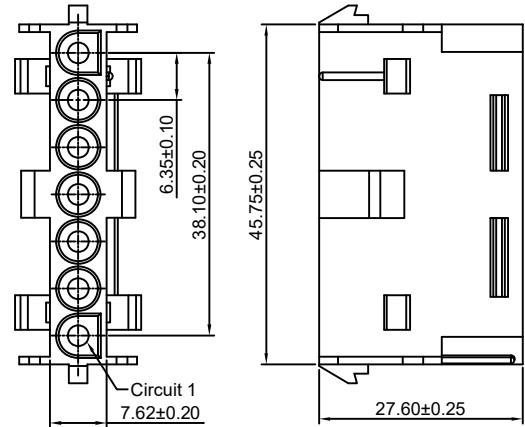


HDGC6351 SERIES



HDGC6351 Series 6.35mm (.250") Pitch Wire to Board and Wire to Wire Connector



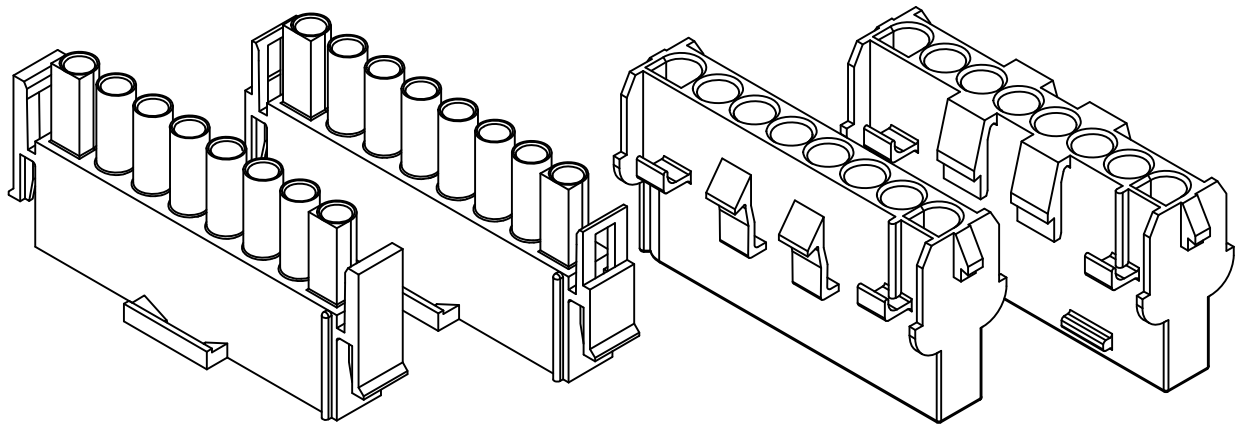
HDGC6351HF<HFA>	HDGC6351HM<HMA>
<p data-bbox="145 907 319 929"><u>HDGC6351HF-7P</u></p>  <p data-bbox="183 1142 207 1243">45.74±0.25</p> <p data-bbox="311 1400 422 1422">27.60±0.25</p> <p data-bbox="502 1142 526 1243">38.10±0.20</p> <p data-bbox="542 1108 566 1142">6.35±0.10</p> <p data-bbox="526 1377 598 1400">Circuit 1</p> <p data-bbox="670 1400 758 1422">7.62±0.20</p>	<p data-bbox="837 907 1011 929"><u>HDGC6351HM-7P</u></p>  <p data-bbox="901 1176 925 1276">6.35±0.10</p> <p data-bbox="1069 1052 1093 1153">38.10±0.20</p> <p data-bbox="1125 1142 1149 1243">45.75±0.25</p> <p data-bbox="1005 1400 1093 1422">7.62±0.20</p> <p data-bbox="997 1377 1069 1400">Circuit 1</p> <p data-bbox="1252 1400 1340 1422">27.60±0.25</p>
<p data-bbox="145 1489 319 1512"><u>HDGC6351HFA-7P</u></p>  <p data-bbox="183 1724 207 1825">45.74±0.25</p> <p data-bbox="311 1982 422 2004">27.60±0.25</p> <p data-bbox="502 1724 526 1825">38.10±0.20</p> <p data-bbox="542 1691 566 1724">6.35±0.10</p> <p data-bbox="526 1960 598 1982">Circuit 1</p> <p data-bbox="670 1982 758 2004">7.62±0.20</p>	<p data-bbox="837 1489 1011 1512"><u>HDGC6351HMA-7P</u></p>  <p data-bbox="901 1691 925 1792">6.35±0.10</p> <p data-bbox="1069 1568 1093 1668">38.10±0.20</p> <p data-bbox="1125 1657 1149 1758">45.75±0.25</p> <p data-bbox="1005 1982 1093 2004">7.62±0.20</p> <p data-bbox="997 1960 1069 1982">Circuit 1</p> <p data-bbox="1252 1982 1340 2004">27.60±0.25</p>

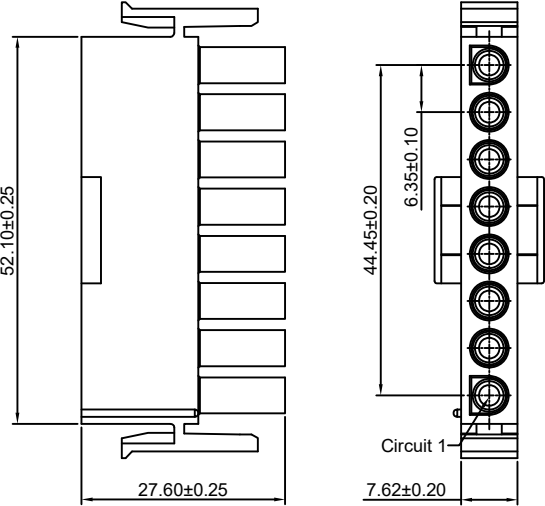
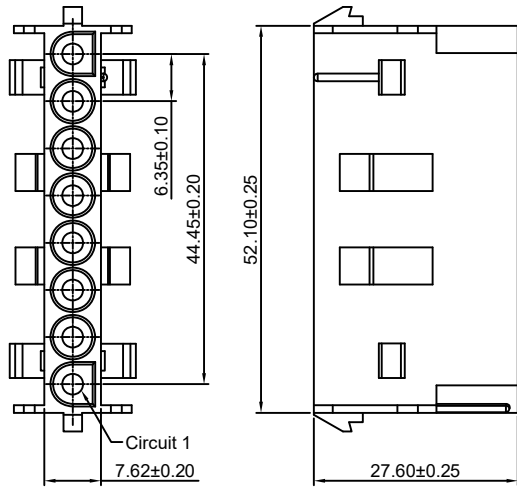
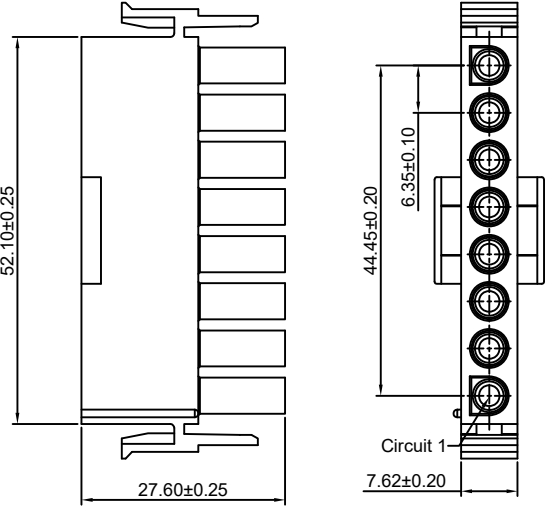
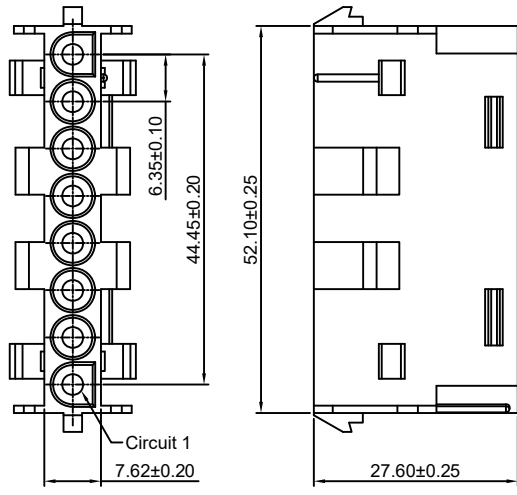


HDGC6351 SERIES



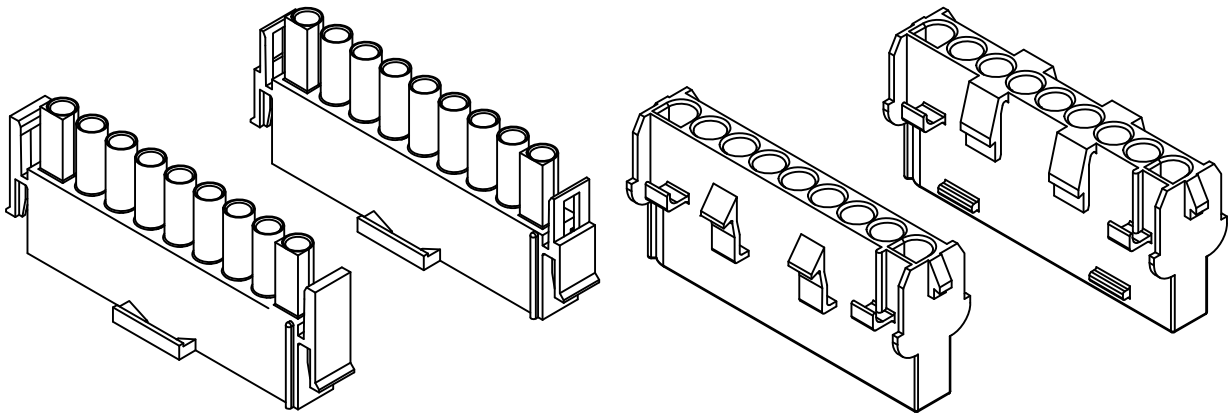
HDGC6351 Series 6.35mm (.250") Pitch Wire to Board and Wire to Wire Connector

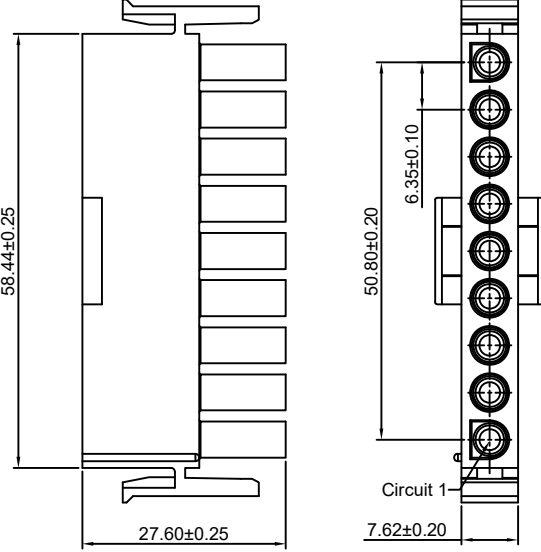
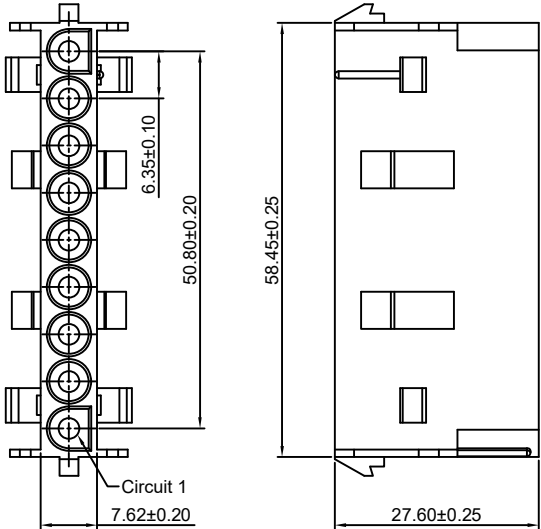
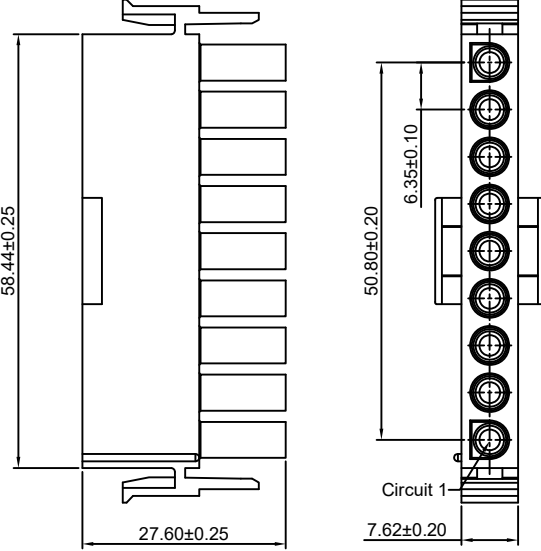
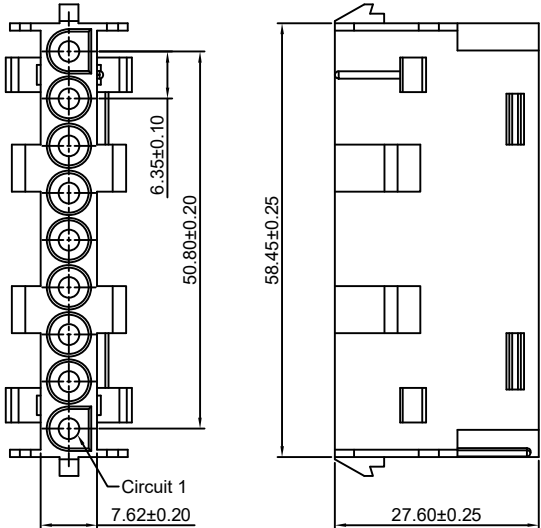


HDGC6351HF<HFA>	HDGC6351HM<HMA>
<p data-bbox="145 768 312 790"><u>HDGC6351HF-8P</u></p>  <p data-bbox="183 1025 204 1122">52.10±0.25</p> <p data-bbox="316 1323 416 1346">27.60±0.25</p> <p data-bbox="544 1025 564 1122">44.45±0.20</p> <p data-bbox="560 913 580 1010">6.35±0.10</p> <p data-bbox="544 1323 564 1346">7.62±0.20</p> <p data-bbox="560 1279 639 1301">Circuit 1</p>	<p data-bbox="836 768 1003 790"><u>HDGC6351HM-8P</u></p>  <p data-bbox="895 913 916 1010">6.35±0.10</p> <p data-bbox="1066 1025 1086 1122">44.45±0.20</p> <p data-bbox="1134 1025 1155 1122">52.10±0.25</p> <p data-bbox="1198 1317 1299 1339">27.60±0.25</p> <p data-bbox="1023 1323 1043 1346">7.62±0.20</p> <p data-bbox="1023 1279 1102 1301">Circuit 1</p>
<p data-bbox="145 1417 328 1440"><u>HDGC6351HFA-8P</u></p>  <p data-bbox="183 1686 204 1783">52.10±0.25</p> <p data-bbox="316 1973 416 1995">27.60±0.25</p> <p data-bbox="544 1686 564 1783">44.45±0.20</p> <p data-bbox="560 1574 580 1671">6.35±0.10</p> <p data-bbox="544 1973 564 1995">7.62±0.20</p> <p data-bbox="560 1928 639 1951">Circuit 1</p>	<p data-bbox="836 1417 1019 1440"><u>HDGC6351HMA-8P</u></p>  <p data-bbox="895 1574 916 1671">6.35±0.10</p> <p data-bbox="1066 1686 1086 1783">44.45±0.20</p> <p data-bbox="1134 1686 1155 1783">52.10±0.25</p> <p data-bbox="1198 1973 1299 1995">27.60±0.25</p> <p data-bbox="1023 1973 1043 1995">7.62±0.20</p> <p data-bbox="1023 1928 1102 1951">Circuit 1</p>



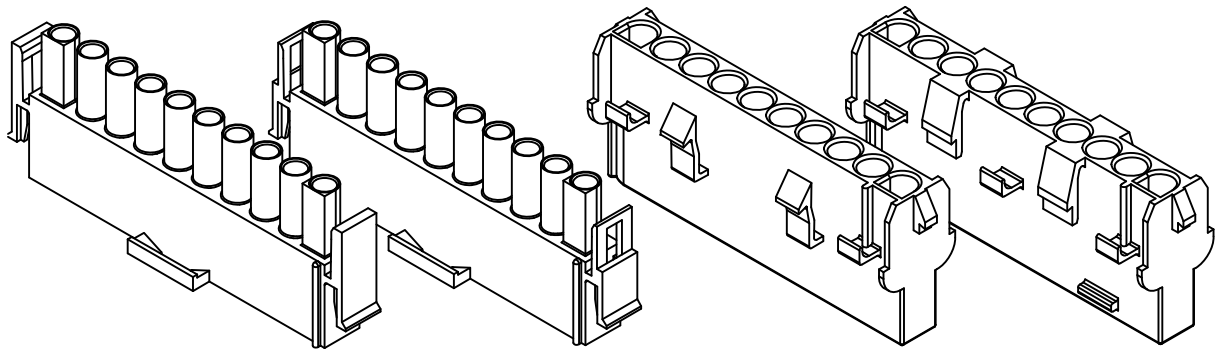
HDGC6351 Series 6.35mm (.250") Pitch Wire to Board and Wire to Wire Connector



HDGC6351HF<HFA>	HDGC6351HM<HMA>
<p><u>HDGC6351HF-9P</u></p> 	<p><u>HDGC6351HM-9P</u></p> 
<p><u>HDGC6351HFA-9P</u></p> 	<p><u>HDGC6351HMA-9P</u></p> 



HDGC6351 Series 6.35mm (.250") Pitch Wire to Board and Wire to Wire Connector



HDGC6351HF<HFA>	HDGC6351HM<HMA>
<p><u>HDGC6351HF-10P</u></p>	<p><u>HDGC6351HM-10P</u></p>
<p><u>HDGC6351HFA-10P</u></p>	<p><u>HDGC6351HMA-10P</u></p>



HDGC6351 Series 6.35mm (.250") Pitch Wire to Board and Wire to Wire Connector

HDGC6351H-3xXP

6.35mm pitch Triple Row Housing

Reference Informations:

- *Material: Nylon 66, UL94V-2 or UL94V-0
- *HDGC6351HF/HM-3xXP Suitable HDGC6351F-T(-H/-L) or HDGC6351M-T(-H/-L) or MA-T(-H/-L) series Terminal
- *Mates with HDGC6351 series triple row Housing or HDGC6351 series triple row Wafer
- *Color: Natural

Ordering Information:

HDGC6351HF<HFA>-3xXP - ***
1 2

- 1. Part No.
- 2. Material:
(blank): Nylon 66, UL94V-2/Natural
V0: Nylon 66, UL94V-0/White
GWT: Nylon 66, UL94V-0, GWT 750°C

Ordering Information:

HDGC6351HM-3xXP - ***
1 2

- 1. Part No.
- 2. Material:
(blank): Nylon 66, UL94V-2/Natural
V0: Nylon 66, UL94V-0/White
GWT: Nylon 66, UL94V-0, GWT 750°C

HDGC6351HF<HFA>-3xXP	HDGC6351HM-3xXP
<p><u>HDGC6351HF-3x2P</u></p>	<p><u>HDGC6351HM-3x2P</u></p>
<p><u>HDGC6351HFA-3x2P</u></p>	
<p><u>HDGC6351HF-3x3P</u></p>	<p><u>HDGC6351HM-3x3P</u></p>
<p><u>HDGC6351HFA-3x3P</u></p>	



HDGC6351 Series 6.35mm (.250") Pitch Wire to Board and Wire to Wire Connector

HDGC6351H-3xXP

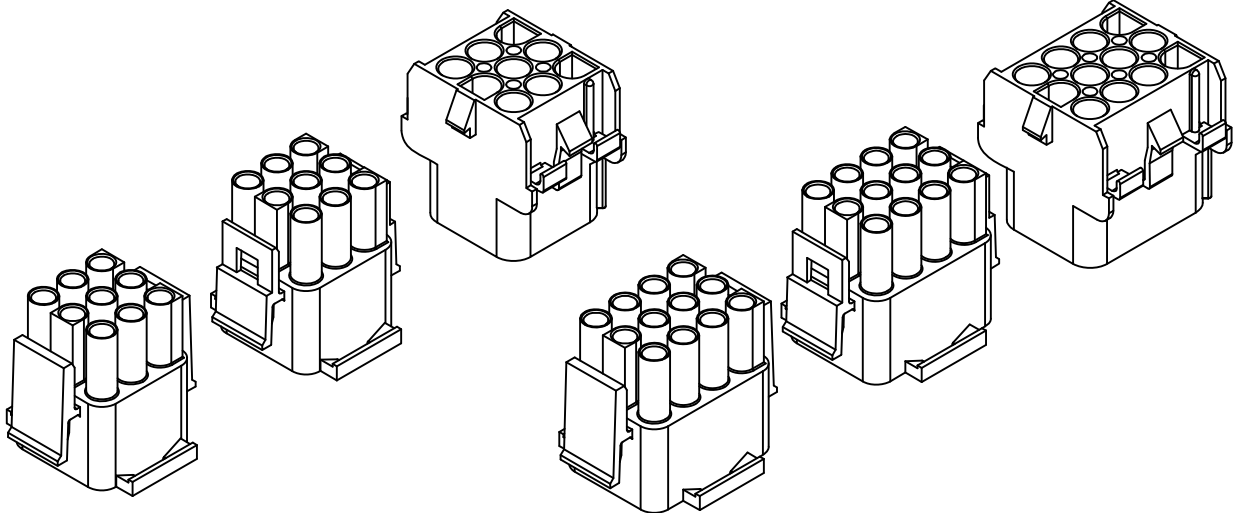
6.35mm pitch Triple Row Housing

Reference Informations:

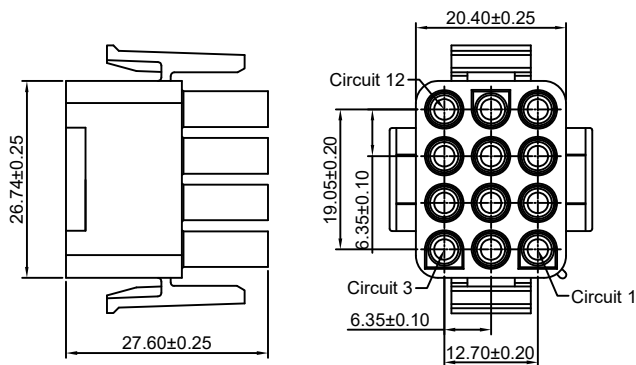
- *Material: Nylon 66, UL94V-2 or UL94V-0
- *HDGC6351HF/HM-3xXP Suitable HDGC6351F-T(-H/-L) or HDGC6351M-T(-H/-L) or HDGC6351MA-T(-H/-L) series Terminal
- *Mates with HDGC6351 series triple row Housing or HDGC6351 series triple row Wafer
- *Color: Natural

HDGC6351HF<HFA>-3xXP

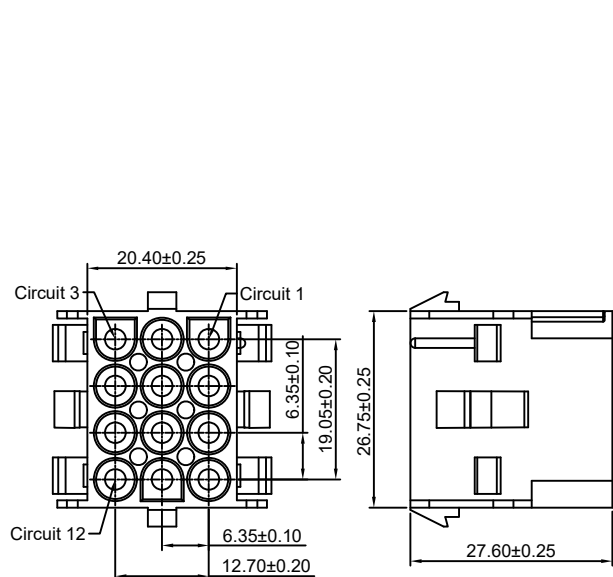
HDGC6351HM-3xXP



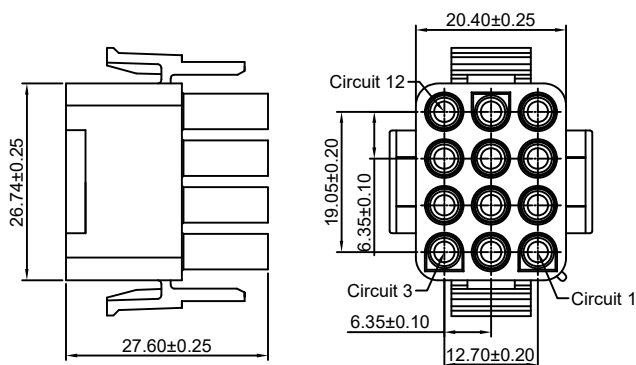
HDGC6351HF-3x4P



HDGC6351HM-3x4P



HDGC6351HFA-3x4P





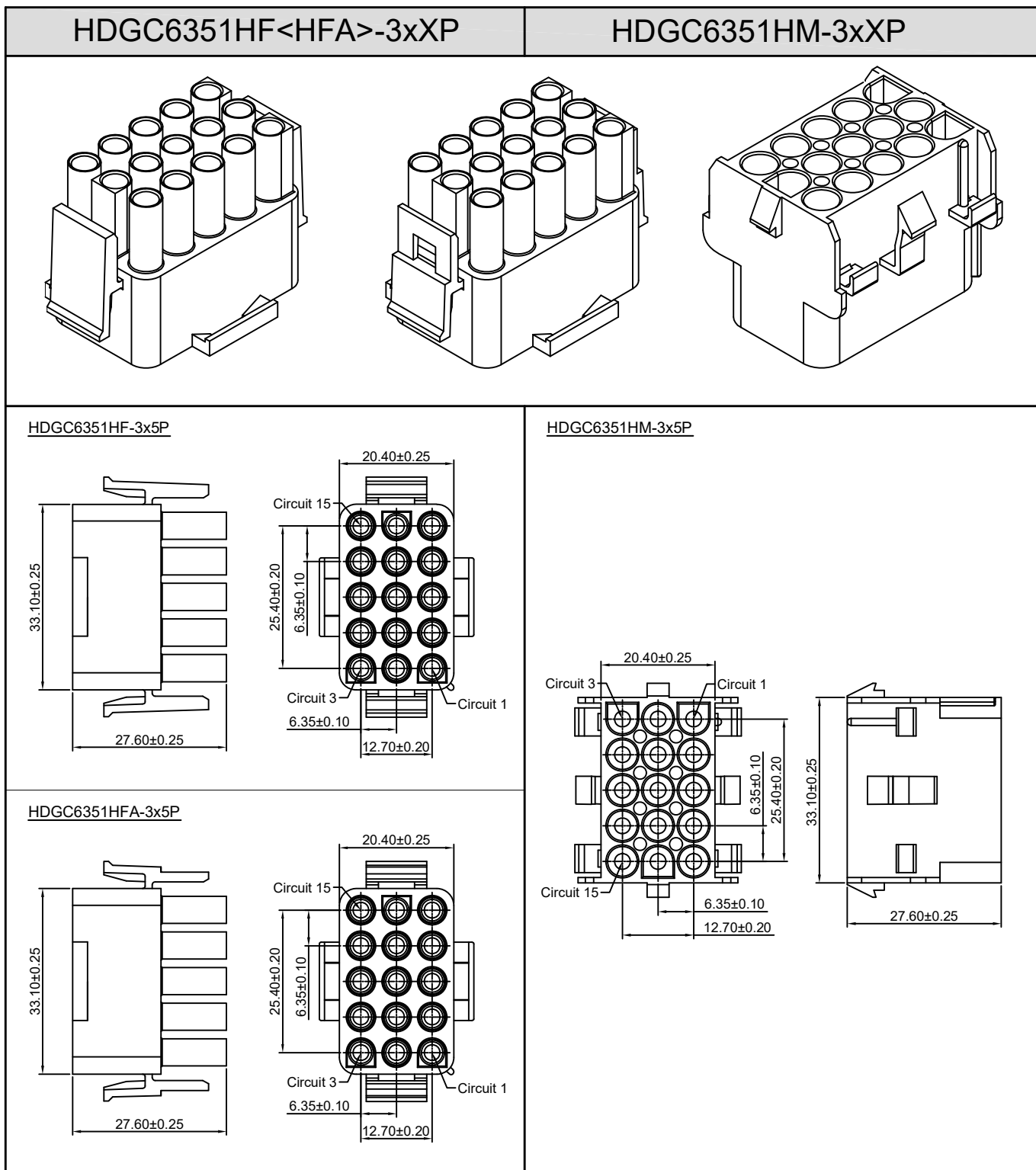
HDGC6351 Series 6.35mm (.250") Pitch Wire to Board and Wire to Wire Connector

HDGC6351H-3xXP

6.35mm pitch Triple Row Housing

Reference Informations:

- *Material: Nylon 66, UL94V-2 or UL94V-0
- *HDGC6351HF/HM-3xXP Suitable HDGC6351F-T(-H/-L) or HDGC6351M-T(-H/-L) or HDGC6351MA-T(-H/-L) series Terminal
- *Mates with HDGC6351 series triple row Housing or HDGC6351 series triple row Wafer
- *Color: Natural





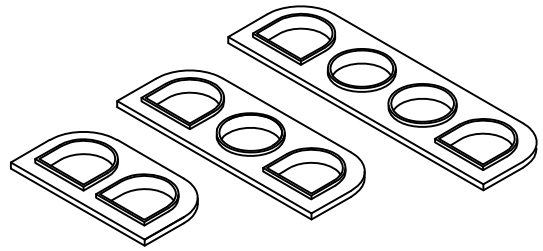
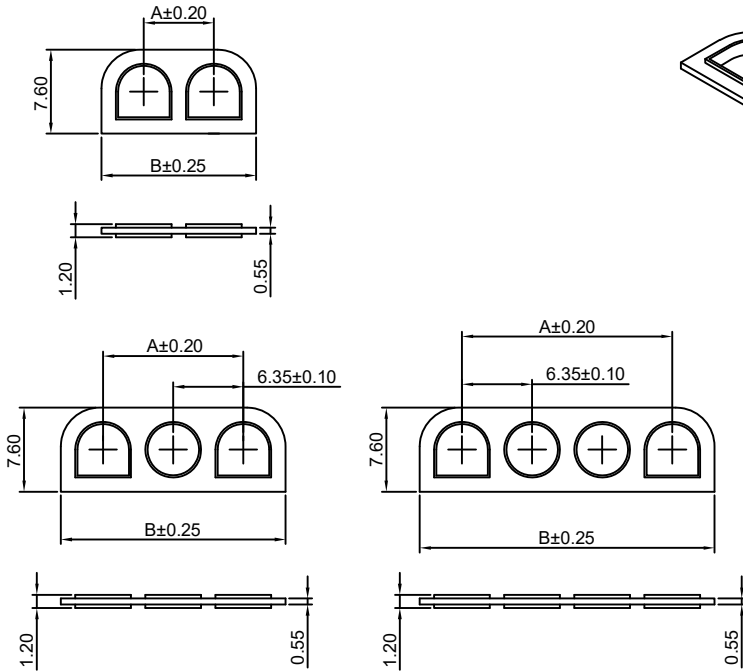
HDGC6351 Series 6.35mm (.250") Pitch Wire to Board and Wire to Wire Connector

HDGC6351HFI-XP

6.35mm Pitch Interface Seal

Reference Informations:

- *Material:Silicone rubber
- *Used in HDGC6351HF/HFA series single row Housing
- *Color:Blue



Technical Requirements:

- *2.79mm-3.30mm insulation diameter passed European IP sealing level #5/7 (swirling dust/immersion to 1 meter for 30 minutes)
- *1.52mm-2.79mm insulation diameter passed European IP sealing level #5/6 (swirling dust/heavy seas)
- *Wire AWG range is #20-14 with insulation diameter range 1.52mm-3.3mm

Ordering Information & Dimensions:

PART NO.	Dimensions	
	A	B
2P	6.35	14.00
3P	12.70	20.35
4P	19.05	26.70
5P	25.40	33.05

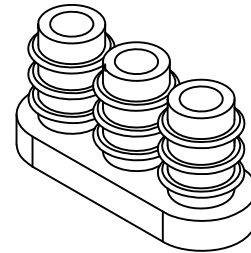
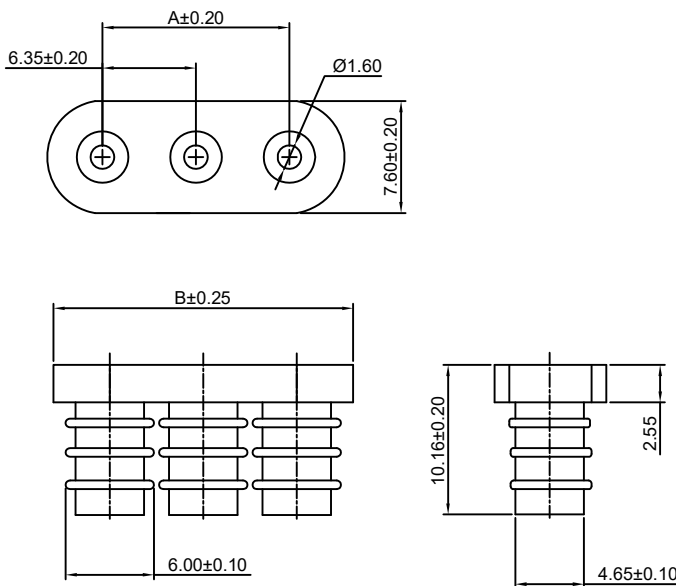
Unit: mm

HDGC6351S-XP

6.35mm Pitch Wire Seal

Reference Informations:

- *Material:Silicone rubber
- *Used in HDGC6351HF/HFA or HDGC6351HM/HMA series single row Housing
- *Color:Blue



Technical Requirements:

- *2.79mm-3.30mm insulation diameter passed European IP sealing level #5/7 (swirling dust/immersion to 1 meter for 30 minutes)
- *1.52mm-2.79mm insulation diameter passed European IP sealing level #5/6 (swirling dust/heavy seas)
- *Wire AWG range is #20-14 with insulation diameter range 1.52mm-3.3mm

Ordering Information & Dimensions:

PART NO.	Dimensions	
	A	B
2P	6.35	14.00
3P	12.70	20.35
4P	19.05	26.70
5P	25.40	33.05

Unit: mm



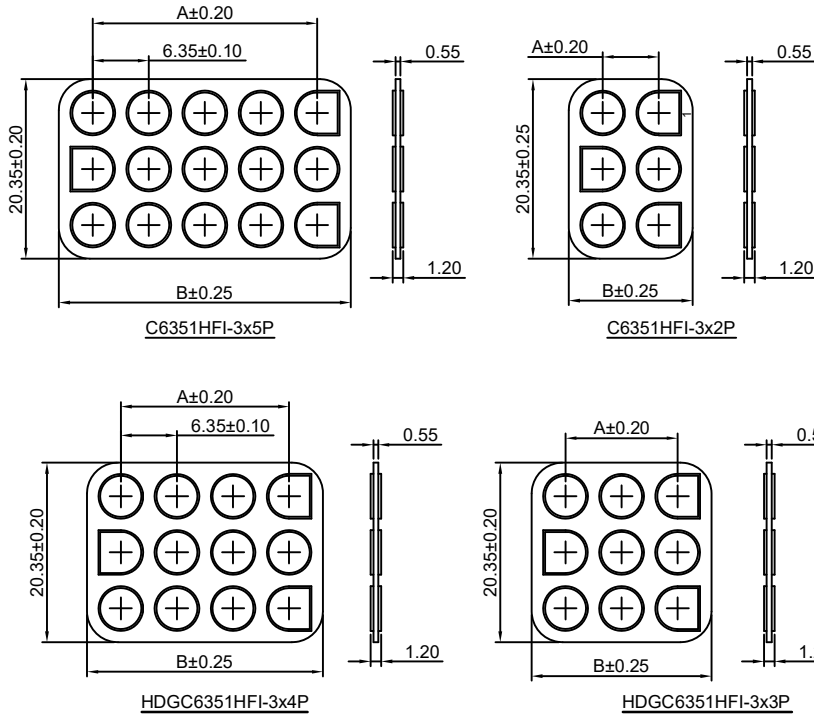
HDGC6351 Series 6.35mm (.250") Pitch Wire to Board and Wire to Wire Connector

HDGC6351HFI-3xXP

6.35mm Pitch Interface Seal

Reference Informations:

- *Material:Silicone rubber
- *Used in HDGC6351HF/HFA series triple row Housing
- *Color:Blue



Technical Requirements:

- *2.79mm-3.30mm insulation diameter passed European IP sealing level #5/7(swirling dust/immersion to 1 meter for 30 minutes)
- *1.52mm-2.79mm insulation diameter passed European IP sealing level #5/6(swirling dust/heavy seas)
- *Wire AWG range is #20-14 with insulation diameter range 1.52mm-3.3mm

Ordering Information & Dimensions:

PART NO.	Dimensions	
	A	B
3x2P	6.35	14.00
3x3P	12.70	20.35
3x4P	19.05	26.70
3x5P	25.40	33.05

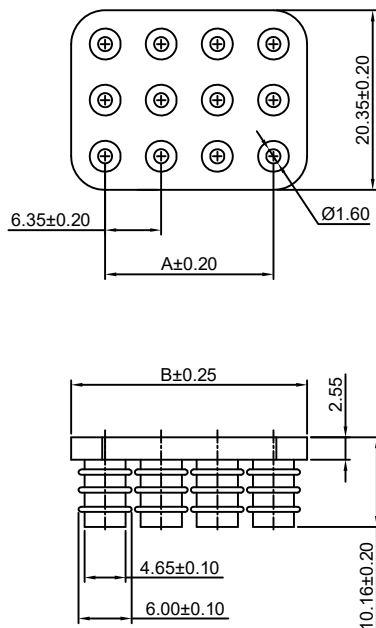
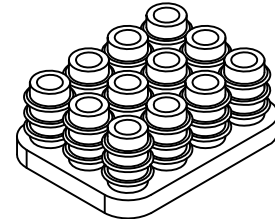
Unit: mm

HDGC6351S-3xXP

6.35mm Pitch Wire Seal

Reference Informations:

- *Material:Silicone rubber
- *Used in HDGC6351HF/HFA or C6351HM series triple row Housing
- *Color:Blue



Technical Requirements:

- *2.79mm-3.30mm insulation diameter passed European IP sealing level #5/7(swirling dust/immersion to 1 meter for 30 minutes)
- *1.52mm-2.79mm insulation diameter passed European IP sealing level #5/6(swirling dust/heavy seas)
- *Wire AWG range is #20-14 with insulation diameter range 1.52mm-3.3mm

Ordering Information & Dimensions:

PART NO.	Dimensions	
	A	B
3x2P	6.35	14.00
3x3P	12.70	20.35
3x4P	19.05	26.70
3x5P	25.40	33.05

Unit: mm



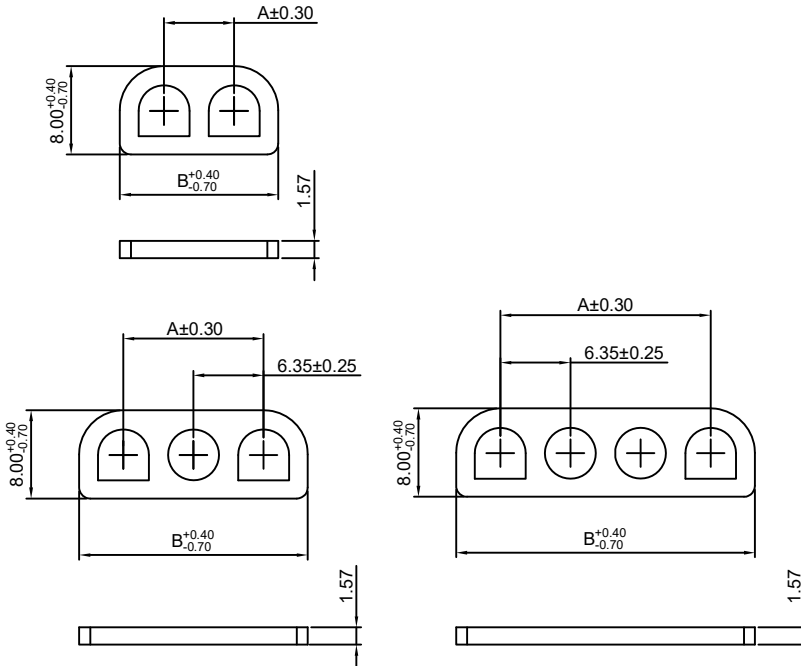
HDGC6351 Series 6.35mm (.250") Pitch Wire to Board and Wire to Wire Connector

HDGC6351HFIA-XP

6.35mm Pitch Interface Seal

Reference Informations:

- *Material: Closed cell silicon foam
- *Used in HDGC6351HF/HFA series single row Housing
- *Color: Black



Technical Requirements:

- *2.79mm-3.30mm insulation diameter passed European IP sealing level #5/7 (swirling dust/immersion to 1 meter for 30 minutes)
- *1.52mm-2.79mm insulation diameter passed European IP sealing level #5/6 (swirling dust/heavy seas)
- *Wire AWG range is #20-14 with insulation diameter range 1.52mm-3.3mm

Ordering Information & Dimensions:

PART NO.	Dimensions	
	A	B
2P	6.35	14.35
3P	12.70	20.70
4P	19.05	27.05
5P	25.40	33.40

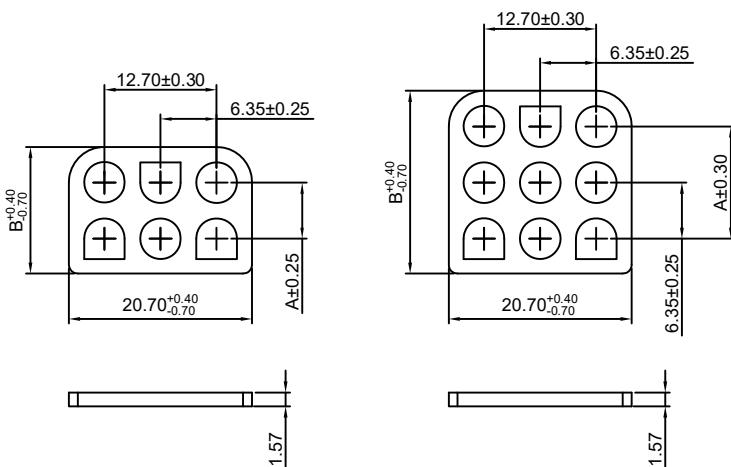
Unit: mm

HDGC6351HFIA-3xXP

6.35mm Pitch Interface Seal

Reference Informations:

- *Material: Closed cell silicon foam
- *Used in HDGC6351HF/HFA series triple row Housing
- *Color: Black



Technical Requirements:

- *2.79mm-3.30mm insulation diameter passed European IP sealing level #5/7 (swirling dust/immersion to 1 meter for 30 minutes)
- *1.52mm-2.79mm insulation diameter passed European IP sealing level #5/6 (swirling dust/heavy seas)
- *Wire AWG range is #20-14 with insulation diameter range 1.52mm-3.3mm

Ordering Information & Dimensions:

PART NO.	Dimensions	
	A	B
3x2P	6.35	14.35
3x3P	12.70	20.70
3x4P	19.05	27.05
3x5P	25.40	33.40

Unit: mm



HDGC6351 Series 6.35mm (.250") Pitch Wire to Board and Wire to Wire Connector

HDGC6351WV-XP-M

6.35mm pitch 180° Single Row Wafer-MALE TYPE

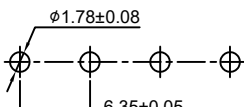
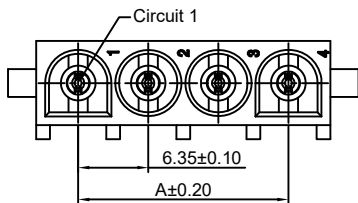
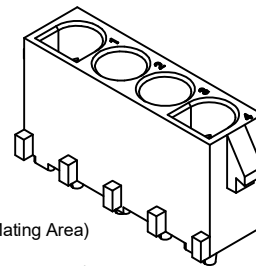
Reference Informations:

- *Material: Pin: Brass/Tin over Nickel
Insulator: Nylon 66, UL94V-2 or UL94V-0
- *Mates with HDGC6351HF/HFA series single row Housing
- *Color: Natural

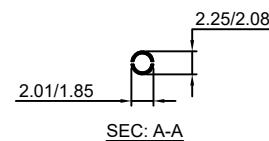
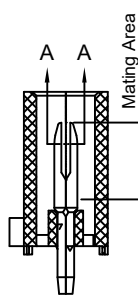
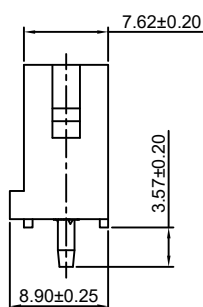
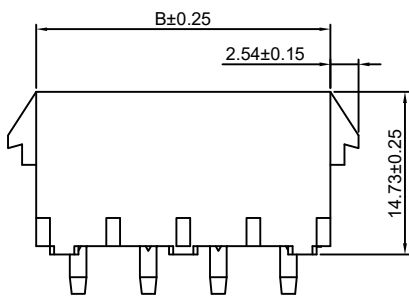
Ordering Information:

HDGC6351WV-XP-M - $\frac{***}{1}$ - $\frac{***}{2}$ - $\frac{***}{3}$

- Part No.
- Material:
(blank): Nylon 66, UL94V-2/Natural
V0: Nylon 66, UL94V-0/White
GWT: Nylon 66, UL94V-0, GWT 750°C
- Finish
(blank): Tin over Nickel
G: Gold-flash
G15: 15µm (0.38µm) MIN. Select Gold (Mating Area)
100µm (2.54µm) MIN. Select Tin
G30: 30µm (0.76µm) MIN. Select Gold (Mating Area)
100µm (2.54µm) MIN. Select Tin



P.C.B LAYOUT



SEC: A-A

Ordering Information & Dimensions:

PART NO.	Dimensions	
	A	B
2P	6.35	13.97
3P	12.70	20.32
4P	19.05	26.67
5P	25.40	33.02
6P	31.75	39.37
7P	38.10	45.72
8P	44.45	52.07
9P	50.80	58.42
10P	57.15	64.77

Unit: mm

HDGC6351WV-XP-F

6.35mm pitch 180° Single Row Wafer-Female Type

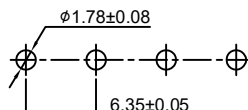
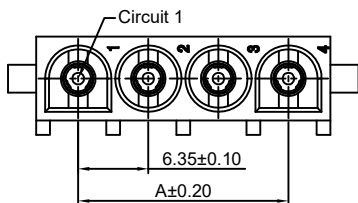
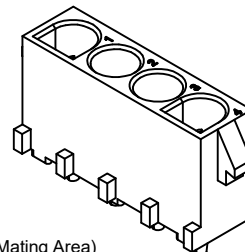
Reference Informations:

- *Material: Pin: Brass/Tin over Nickel
Insulator: Nylon 66, UL94V-2 or UL94V-0
- *Mates with HDGC6351HF/HFA series single row Housing
- *Color: Natural

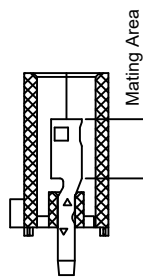
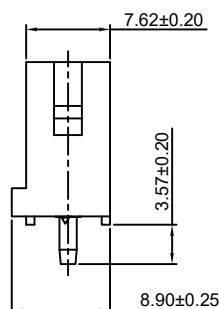
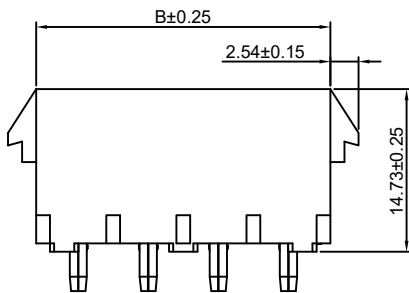
Ordering Information:

HDGC6351WV-XP-F - $\frac{***}{1}$ - $\frac{***}{2}$ - $\frac{***}{3}$

- Part No.
- Material:
(blank): Nylon 66, UL94V-2/Natural
V0: Nylon 66, UL94V-0/White
GWT: Nylon 66, UL94V-0, GWT 750°C
- Finish
(blank): Tin over Nickel
G: Gold-flash
G15: 15µm (0.38µm) MIN. Select Gold (Mating Area)
100µm (2.54µm) MIN. Select Tin
G30: 30µm (0.76µm) MIN. Select Gold (Mating Area)
100µm (2.54µm) MIN. Select Tin



P.C.B LAYOUT



Ordering Information & Dimensions:

PART NO.	Dimensions	
	A	B
2P	6.35	13.97
3P	12.70	20.32
4P	19.05	26.67
5P	25.40	33.02
6P	31.75	39.37
7P	38.10	45.72
8P	44.45	52.07
9P	50.80	58.42
10P	57.15	64.77

Unit: mm



HDGC6351 SERIES



HDGC6351 Series 6.35mm (.250") Pitch Wire to Board and Wire to Wire Connector

HDGC6351WV-XP-RA

6.35mm pitch 180° Single Row Wafer, Round Pin-MALE TYPE

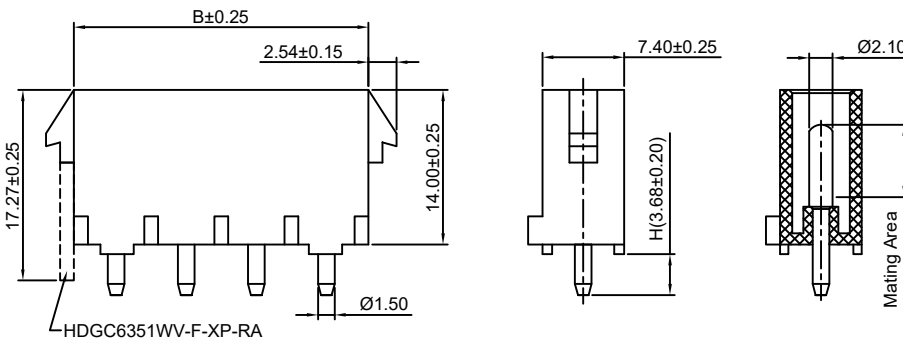
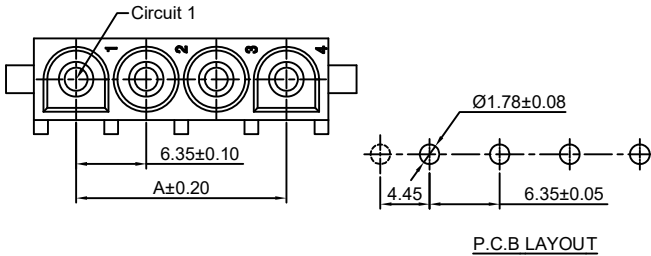
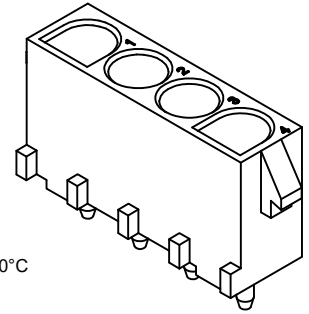
Reference Informations:

- *Material: Pin: Brass/Silver over Nickel
Insulator: Nylon 66, UL94V-0
- *Mates with HDGC6351HF/HFA series single row Housing
- *Color: White

Ordering Information:

HDGC6351WV(-F)-XP-RA - $\frac{**}{1} - \frac{***}{2} - \frac{***}{3} - \frac{***}{4}$

- Part No.
- Size(H):
(blank): 3.68mm
H1: 7.62mm
H2: 4.30mm
H3: 7.00mm
H4: 5.20mm
- Material:
(blank): Nylon 66, UL94V-0/White
GWT: Nylon 66, UL94V-0, GWT 750°C
- Finish
(blank): Silver over Nickel
G: Gold-flash
G15: 15µm (0.38µm) MIN. Select Gold (Mating Area)
100µm (2.54µm) MIN. Select Tin
G30: 30µm (0.76µm) MIN. Select Gold (Mating Area)
100µm (2.54µm) MIN. Select Tin



Ordering Information & Dimensions:

PART NO.	Dimensions	
	A	B
2P	6.35	13.97
3P	12.70	20.32
4P	19.05	26.67
5P	25.40	33.02
6P	31.75	39.37
7P	38.10	45.72
8P	44.45	52.07
9P	50.80	58.42
10P	57.15	64.77

Unit: mm

HDGC6351WV-F-XP-M

6.35mm pitch 180° Single Row Wafer Polarizing Peg-MALE TYPE

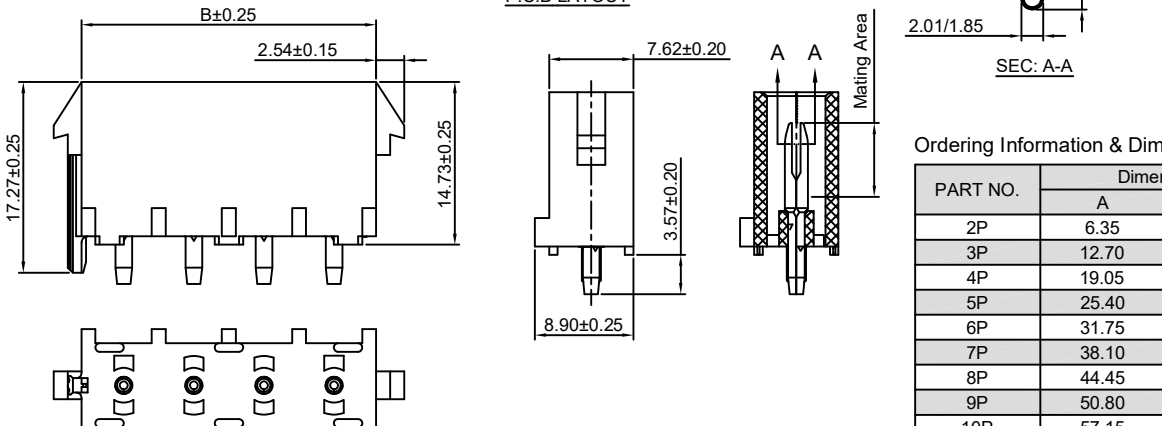
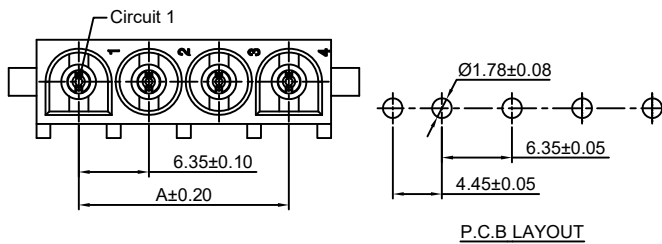
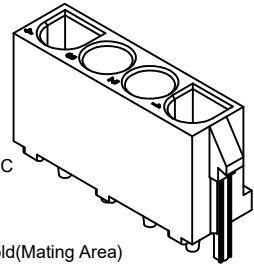
Reference Informations:

- *Material: Pin: Brass/Tin over Nickel
Insulator: Nylon 66, UL94V-2 or UL94V-0
- *Mates with HDGC6351HF/HFA series single row Housing
- *Color: Natural

Ordering Information:

HDGC6351WV-F-XP-M - $\frac{***}{1} - \frac{***}{2} - \frac{***}{3}$

- Part No.
- Material:
(blank): Nylon 66, UL94V-2/Natural
V0: Nylon 66, UL94V-0/White
GWT: Nylon 66, UL94V-0, GWT 750°C
- Finish
(blank): Tin over Nickel
G: Gold-flash
G15: 15µm (0.38µm) MIN. Select Gold (Mating Area)
100µm (2.54µm) MIN. Select Tin
G30: 30µm (0.76µm) MIN. Select Gold (Mating Area)
100µm (2.54µm) MIN. Select Tin



Ordering Information & Dimensions:

PART NO.	Dimensions	
	A	B
2P	6.35	13.97
3P	12.70	20.32
4P	19.05	26.67
5P	25.40	33.02
6P	31.75	39.37
7P	38.10	45.72
8P	44.45	52.07
9P	50.80	58.42
10P	57.15	64.77

Unit: mm



HDGC6351 Series 6.35mm (.250") Pitch Wire to Board and Wire to Wire Connector

HDGC6351WV-F-XP-F

6.35mm pitch 180° Single Row Wafer with Polarizing Peg-Female Type

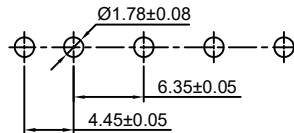
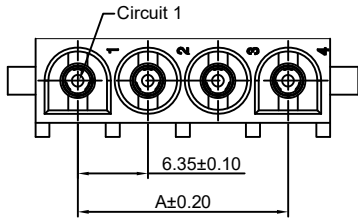
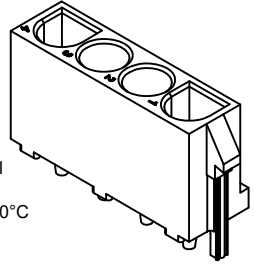
Reference Informations:

- *Material: Pin: Brass/Tin over Nickel
Insulator: Nylon 66, UL94V-2 or UL94V-0
- *Mates with HDGC6351HF/HFA series single row Housing
- *Color: Natural

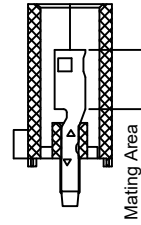
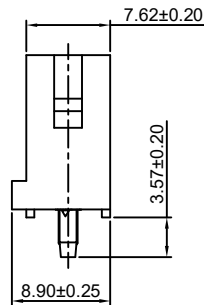
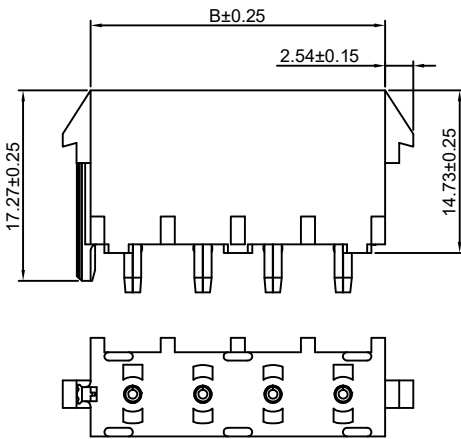
Ordering Information:

HDGC6351WV-F-XP-F - $\frac{***}{1} - \frac{***}{2} - \frac{***}{3}$

- Part No.
- Material:
(blank): Nylon 66, UL94V-2/Natural
V0: Nylon 66, UL94V-0/White
GWT: Nylon 66, UL94V-0, GWT 750°C
- Finish
(blank): Tin over Nickel
G: Gold-flash
G15: 15µm (0.38µm) MIN. Select Gold (Mating Area)
100µm (2.54µm) MIN. Select Tin
G30: 30µm (0.76µm) MIN. Select Gold (Mating Area)
100µm (2.54µm) MIN. Select Tin



P.C.B LAYOUT



Ordering Information & Dimensions:

PART NO.	Dimensions	
	A	B
2P	6.35	13.97
3P	12.70	20.32
4P	19.05	26.67
5P	25.40	33.02
6P	31.75	39.37
7P	38.10	45.72
8P	44.45	52.07
9P	50.80	58.42
10P	57.15	64.77

Unit: mm

HDGC6351WV-3xXP-M

6.35mm pitch 180° Triple Row Wafer-MALE TYPE

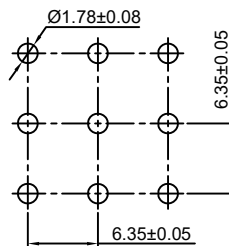
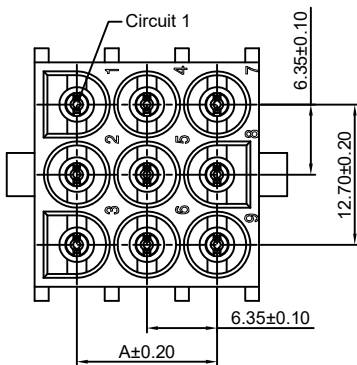
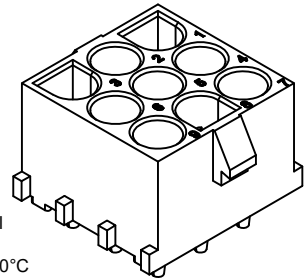
Reference Informations:

- *Material: Pin: Brass/Tin over Nickel
Insulator: Nylon 66, UL94V-2 or UL94V-0
- *Mates with HDGC6351HF/HFA series triple row Housing
- *Color: Natural

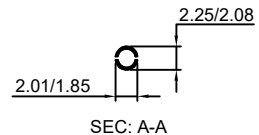
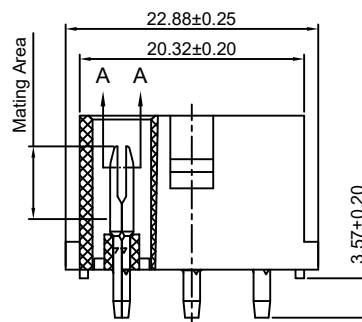
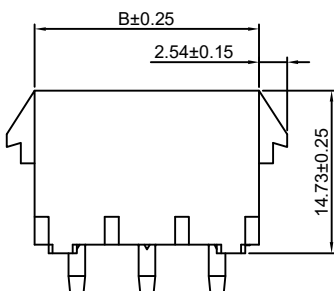
Ordering Information:

HDGC6351WV-3xXP-M - $\frac{***}{1} - \frac{***}{2} - \frac{***}{3}$

- Part No.
- Material:
(blank): Nylon 66, UL94V-2/Natural
V0: Nylon 66, UL94V-0/White
GWT: Nylon 66, UL94V-0, GWT 750°C
- Finish
(blank): Tin over Nickel
G: Gold-flash
G15: 15µm (0.38µm) MIN. Select Gold (Mating Area)
100µm (2.54µm) MIN. Select Tin
G30: 30µm (0.76µm) MIN. Select Gold (Mating Area)
100µm (2.54µm) MIN. Select Tin



P.C.B LAYOUT



SEC: A-A

Ordering Information & Dimensions:

PART NO.	Dimensions	
	A	B
3x2P	6.35	13.97
3x3P	12.70	20.32
3x4P	19.05	26.67
3x5P	25.40	33.02

Unit: mm



HDGC6351 Series 6.35mm (.250") Pitch Wire to Board and Wire to Wire Connector

HDGC6351WV-3xXP-F

6.35mm pitch 180° Triple Row Wafer-Female Type

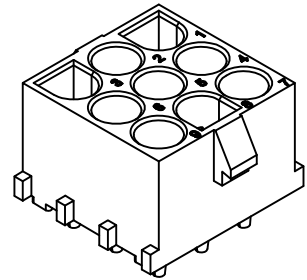
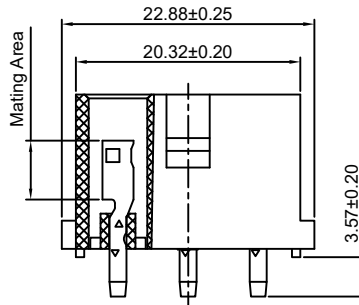
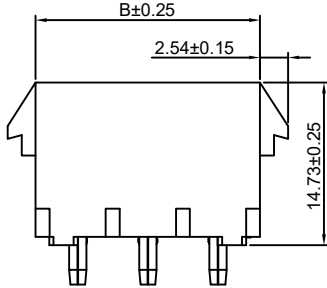
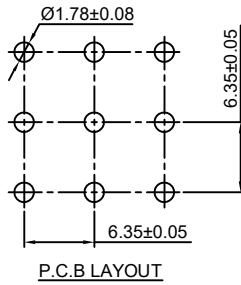
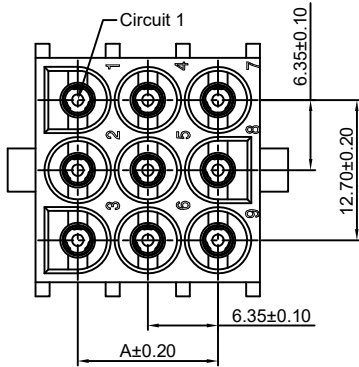
Reference Informations:

- *Material: Pin: Brass/Tin over Nickel
Insulator: Nylon 66, UL94V-2 or UL94V-0
- *Mates with HDGC6351HF/HFA series triple row Housing
- *Color: Natural

Ordering Information:

HDGC6351WV-3xXP-F - $\frac{***}{1} - \frac{***}{2} - \frac{***}{3}$

- Part No.
- Material:
(blank): Nylon 66, UL94V-2/Natural
V0: Nylon 66, UL94V-0/White
GWT: Nylon 66, UL94V-0, GWT 750°C
- Finish
(blank): Tin over Nickel
G: Gold-flash
G15: 15µm (0.38µm) MIN. Select Gold (Mating Area)
100µm (2.54µm) MIN. Select Tin
G30: 30µm (0.76µm) MIN. Select Gold (Mating Area)
100µm (2.54µm) MIN. Select Tin



Ordering Information & Dimensions:

PART NO.	Dimensions	
	A	B
3x2P	6.35	13.97
3x3P	12.70	20.32
3x4P	19.05	26.67
3x5P	25.40	33.02

Unit: mm

HDGC6351WV-3xXP-RA

6.35mm pitch 180° Triple Row Wafer, Round Pin-Male Type

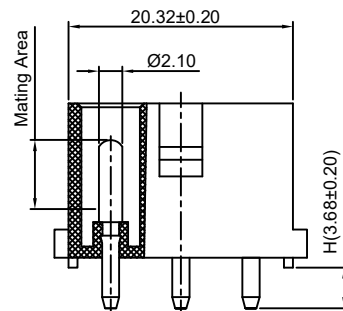
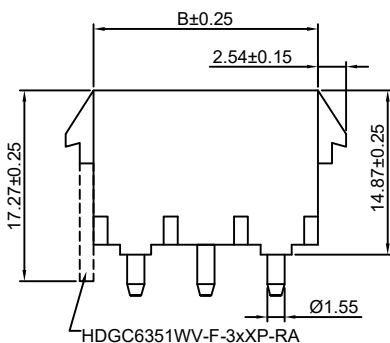
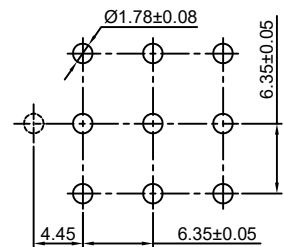
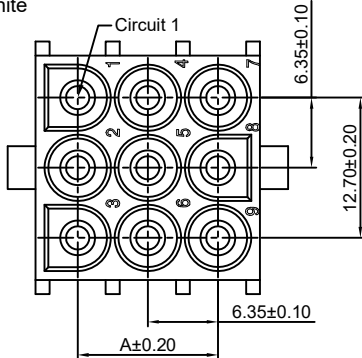
Reference Informations:

- *Material: Pin: Brass/Silver over Nickel
Insulator: Nylon 66, UL94V-0
- *Mates with HDGC6351HF/HFA series triple row Housing
- *Color: White

Ordering Information:

HDGC6351WV(-F)-3xXP-RA - $\frac{**}{1} - \frac{***}{2} - \frac{***}{3} - \frac{***}{4}$

- Part No.
- Size (H):
(blank): 3.68mm
H1: 7.62mm
H2: 4.30mm
H3: 7.00mm
H4: 5.20mm
- Material:
(blank): Nylon 66, UL94V-0/White
GWT: Nylon 66, UL94V-0, GWT 750°C
- Finish
(blank): Silver over Nickel
G: Gold-flash
G15: 15µm (0.38µm) MIN. Select Gold (Mating Area)
100µm (2.54µm) MIN. Select Tin
G30: 30µm (0.76µm) MIN. Select Gold (Mating Area)
100µm (2.54µm) MIN. Select Tin



Ordering Information & Dimensions:

PART NO.	Dimensions	
	A	B
3x2P	6.35	13.97
3x3P	12.70	20.32
3x4P	19.05	26.67
3x5P	25.40	33.02

Unit: mm



HDGC6351 SERIES



HDGC6351 Series 6.35mm (.250") Pitch Wire to Board and Wire to Wire Connector

HDGC6351WV-F-3xXP-M

6.35mm pitch 180° Triple Row Wafer Polarizing Peg-Male Type

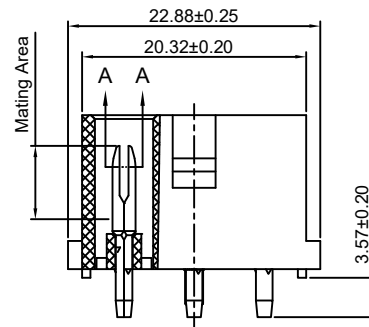
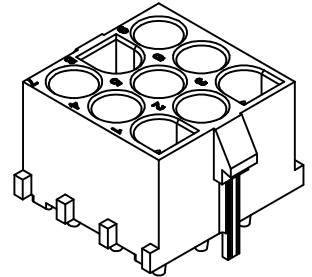
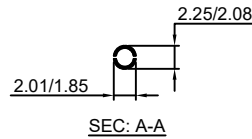
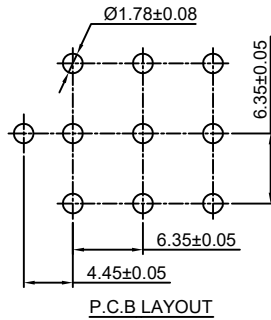
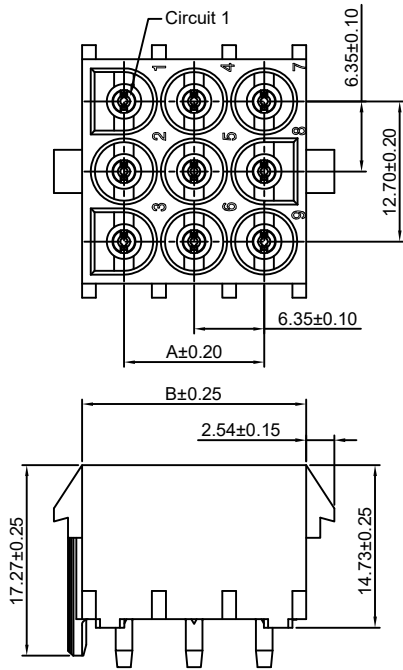
Reference Informations:

- *Material: Pin: Brass/Tin over Nickel
Insulator: Nylon 66, UL94V-2 or UL94V-0
- *Mates with HDGC6351HF/HFA series triple row Housing
- *Color: Natural

Ordering Information:

HDGC6351WV-F-3xXP-M - *** - ***
1 2 3

- Part No.
- Material:
(blank): Nylon 66, UL94V-2/Natural
V0: Nylon 66, UL94V-0/White
GWT: Nylon 66, UL94V-0, GWT 750°C
- Finish:
(blank): Tin over Nickel
G: Gold-flash
G15: 15µm (0.38µm) MIN. Select Gold (Mating Area)
100µm (2.54µm) MIN. Select Tin
G30: 30µm (0.76µm) MIN. Select Gold (Mating Area)
100µm (2.54µm) MIN. Select Tin



Ordering Information & Dimensions:

PART NO.	Dimensions	
	A	B
3x2P	6.35	13.97
3x3P	12.70	20.32
3x4P	19.05	26.67
3x5P	25.40	33.02

Unit: mm

HDGC6351WV-F-3xXP-F

6.35mm pitch 180° Triple Row Wafer with Polarizing Peg-Female Type

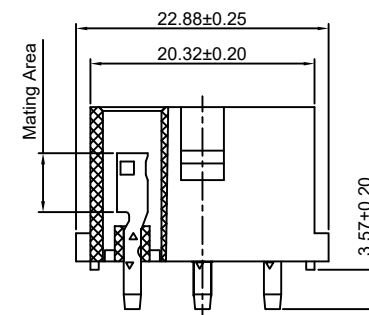
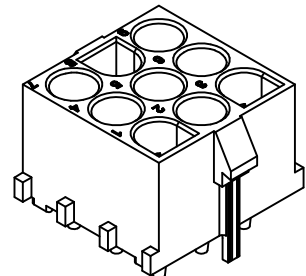
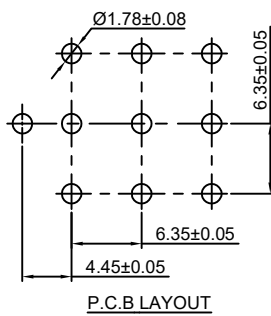
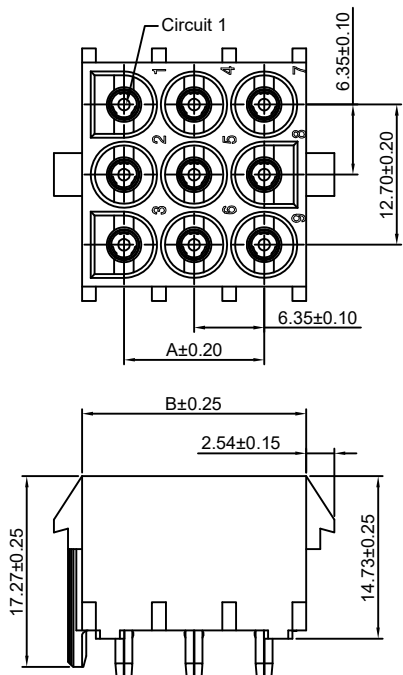
Reference Informations:

- *Material: Pin: Brass/Tin over Nickel
Insulator: Nylon 66, UL94V-2 or UL94V-0
- *Mates with HDGC6351HF/HFA series triple row Housing
- *Color: Natural

Ordering Information:

HDGC6351WV-F-3xXP-F - *** - ***
1 2 3

- Part No.
- Material:
(blank): Nylon 66, UL94V-2/Natural
V0: Nylon 66, UL94V-0/White
GWT: Nylon 66, UL94V-0, GWT 750°C
- Finish:
(blank): Tin over Nickel
G: Gold-flash
G15: 15µm (0.38µm) MIN. Select Gold (Mating Area)
100µm (2.54µm) MIN. Select Tin
G30: 30µm (0.76µm) MIN. Select Gold (Mating Area)
100µm (2.54µm) MIN. Select Tin



Ordering Information & Dimensions:

PART NO.	Dimensions	
	A	B
3x2P	6.35	13.97
3x3P	12.70	20.32
3x4P	19.05	26.67
3x5P	25.40	33.02

Unit: mm



HDGC6351 SERIES



HDGC6351 Series 6.35mm (.250") Pitch Wire to Board and Wire to Wire Connector

HDGC6351WR-XP-M

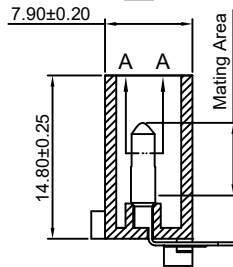
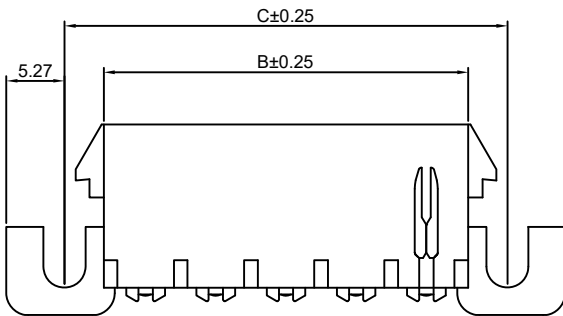
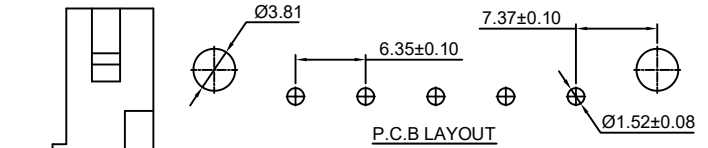
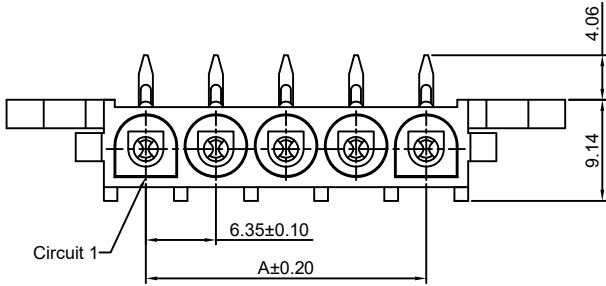
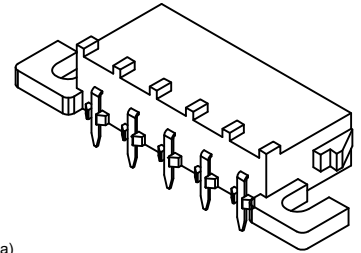
6.35mm Pitch 90° Single Row Wafer-Male Type

Reference Informations:

- *Material: Pin: Brass/Tin over Nickel
Insulator: Nylon 66, UL94V-2
- *Mates with HDGC6351HF/HFA series single row Housing
- *Color: Natural

Ordering Information:
 HDGC6351WR-XP-M - $\frac{***}{1} - \frac{***}{2} - \frac{***}{3}$

1. Part No.
2. Material:
(blank): Nylon 66, UL94V-2/Natural
V0: Nylon 66, UL94V-0/White
GWT: Nylon 66, UL94V-0, GWT 750°C
3. Finish:
(blank): Tin over Nickel
G: Gold-flash
G15: 15µin (0.38µm) MIN. Select Gold (Mating Area)
100µin (2.54µm) MIN. Select Tin
G30: 30µin (0.76µm) MIN. Select Gold (Mating Area)
100µin (2.54µm) MIN. Select Tin



Ordering Information & Dimensions:

PART NO.	Dimensions		
	A	B	C
2P	6.35	13.97	21.08
3P	12.70	20.32	27.43
4P	19.05	26.67	33.78
5P	25.40	33.02	40.13
6P	31.75	39.37	46.48
7P	38.10	45.72	52.83
8P	44.45	52.07	59.18
9P	50.80	58.42	65.53
10P	57.15	64.77	71.88

Unit: mm

HDGC6351WR-XP-F

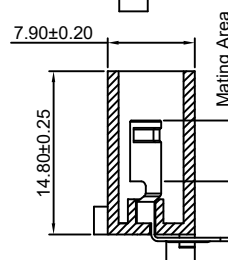
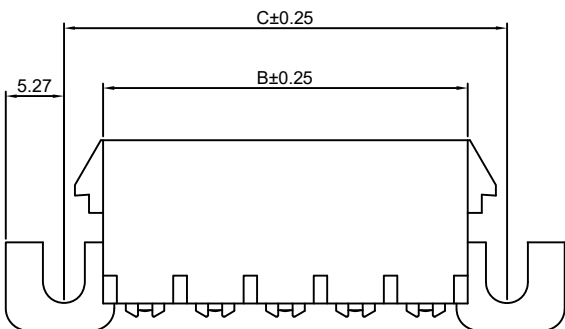
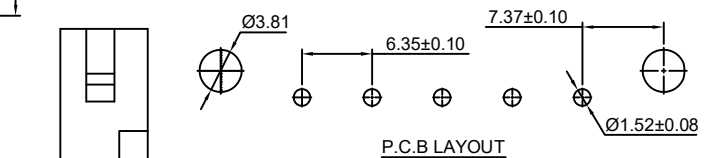
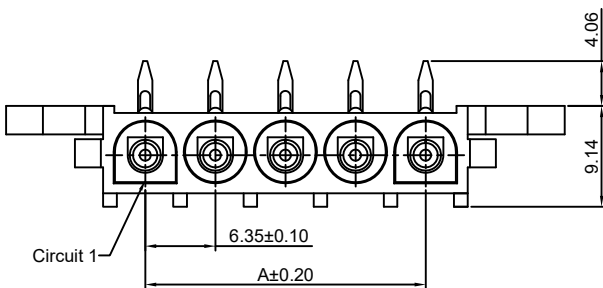
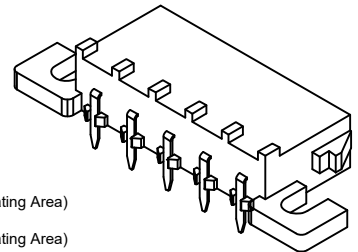
6.35mm Pitch 90° Single Row Wafer-Female Type

Reference Informations:

- *Material: Pin: Brass/Tin over Nickel
Insulator: Nylon 66, UL94V-2
- *Mates with HDGC6351HF/HFA series single row Housing
- *Color: Natural

Ordering Information:
 HDGC6351WR-XP-F - $\frac{***}{1} - \frac{***}{2} - \frac{***}{3}$

1. Part No.
2. Material:
(blank): Nylon 66, UL94V-2/Natural
V0: Nylon 66, UL94V-0/White
GWT: Nylon 66, UL94V-0, GWT 750°C
3. Finish:
(blank): Tin over Nickel
G: Gold-flash
G15: 15µin (0.38µm) MIN. Select Gold (Mating Area)
100µin (2.54µm) MIN. Select Tin
G30: 30µin (0.76µm) MIN. Select Gold (Mating Area)
100µin (2.54µm) MIN. Select Tin



Ordering Information & Dimensions:

PART NO.	Dimensions		
	A	B	C
2P	6.35	13.97	21.08
3P	12.70	20.32	27.43
4P	19.05	26.67	33.78
5P	25.40	33.02	40.13
6P	31.75	39.37	46.48
7P	38.10	45.72	52.83
8P	44.45	52.07	59.18
9P	50.80	58.42	65.53
10P	57.15	64.77	71.88

Unit: mm



HDGC6351 SERIES



HDGC6351 Series 6.35mm (.250") Pitch Wire to Board and Wire to Wire Connector

HDGC6351WR-XP-R

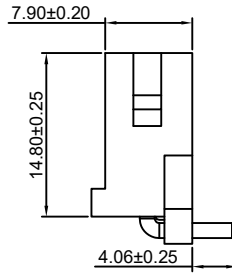
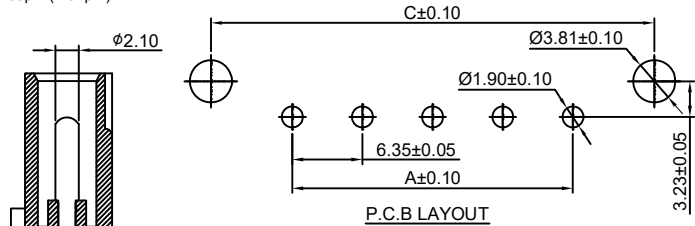
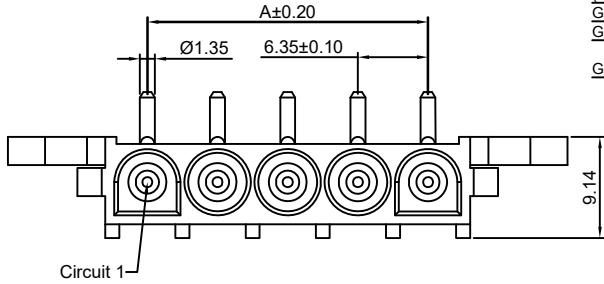
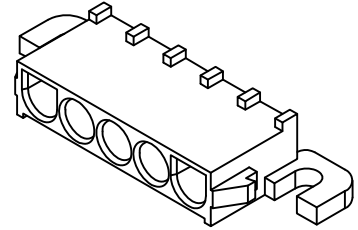
6.35mm Pitch 90° Single Row Wafer, Round Pin-Male Type

Reference Informations:

- *Material: Pin: Brass/Tin over Nickel
Insulator: Nylon 66, UL94V-2
- *Mates with HDGC6351HF/HFA series single row Housing
- *Color: Natural

Ordering Information:
 HDGC6351WR-XP-R - $\frac{***}{2} - \frac{***}{3}$

- Part No.
- Material:
(blank): Nylon 66, UL94V-2/Natural
V0: Nylon 66, UL94V-0/White
GWT: Nylon 66, UL94V-0, GWT 750°C
- Finish:
(blank): Tin over Nickel
G: Gold-flash
G15: 15µin (0.38µm) MIN. Select Gold (Mating Area)
100µin (2.54µm) MIN. Select Tin
G30: 30µin (0.76µm) MIN. Select Gold (Mating Area)
100µin (2.54µm) MIN. Select Tin



Ordering Information & Dimensions:

PART NO.	Dimensions		
	A	B	C
2P	6.35	13.97	21.08
3P	12.70	20.32	27.43
4P	19.05	26.67	33.78
5P	25.40	33.02	40.13
6P	31.75	39.37	46.48
7P	38.10	45.72	52.83
8P	44.45	52.07	59.18
9P	50.80	58.42	65.53
10P	57.15	64.77	71.88

Unit: mm

HDGC6351WVB-XP

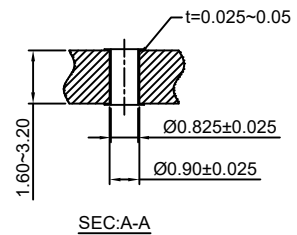
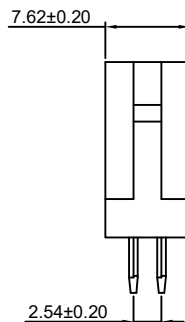
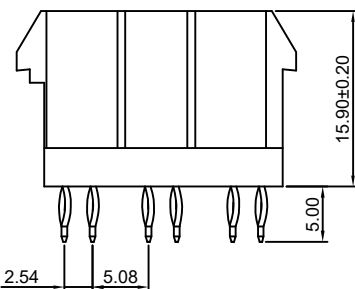
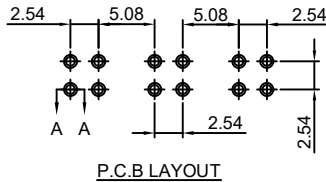
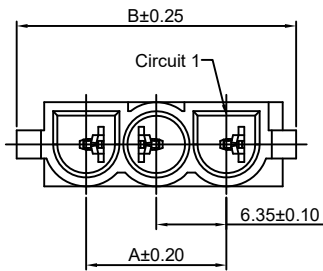
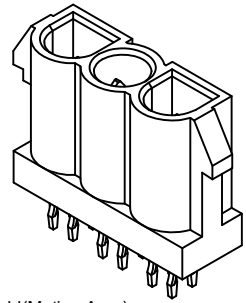
6.35mm pitch 180° Single Row Wafer

Reference Informations:

- *Material: Pin: Brass/Tin over Nickel
Insulator: PBT, UL94V-0
- *Mates with HDGC6351HF/HFA-2P, 3P series Housing
- *Color: Black

Ordering Information:
 HDGC6351WVB-XP - $\frac{***}{2} - \frac{***}{3}$

- Part No.
- Material:
(blank): PBT, UL94V-0
GWT: PBT, UL94V-0, GWT 750°C
- Finish:
(blank): Tin over Nickel
G: Gold-flash
G15: 15µin (0.38µm) MIN. Select Gold (Mating Area)
100µin (2.54µm) MIN. Select Tin
G30: 30µin (0.76µm) MIN. Select Gold (Mating Area)
100µin (2.54µm) MIN. Select Tin



Ordering Information & Dimensions:

PART NO.	Dimensions	
	A	B
2P	6.35	18.95
3P	12.70	25.30

Unit: mm