

Specifications

- Current rating: 2A AC, DC
- Voltage rating: 100V AC, DC
- Temperature range: -25°C ~ +85°C
- Contact resistance: 10mΩ Max.
- Insulation resistance: 1000MΩ Min.
- Withstanding voltage: 800V AC/minute
- *Compliant with RoHS and REACH*
- *Meet the HF/Halogen Free, GWT/Glow wire Test (IEC60335-1) request, need to customize*
- *Contact HDGC for details*



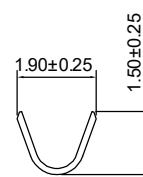
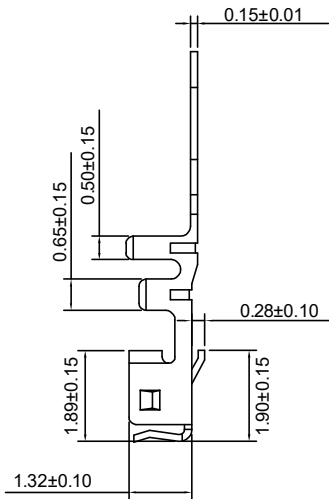
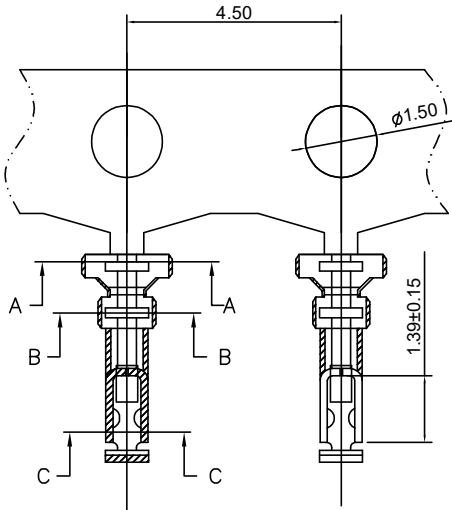
HDGC5002 Series 5.00mm (.197") Pitch Wire to Board and Wire to Wire Connector

HDGC5002-T

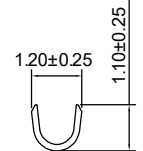
5.00mm pitch Crimp Terminal

Reference Informations:

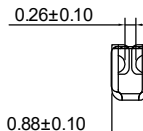
*Used in HDGC5002 series Housing



SEC:A-A



SEC:B-B



SEC:C-C

Ordering information & Specifications:

Unit:mm

Part NO.	Wire Range	Insulation O.D.	Material	Finish	Qty/reel
HDGC5002-TP	AWG#24-#30	1.50mm(max)	Phosphor Bronze	Tin over Nickel	20,000 PCS
HDGC5002-GP	AWG#24-#30	1.50mm(max)	Phosphor Bronze	Gold over Nickel	20,000 PCS

Optional Gold plating available but MOQ requested

HDGC5002H

5.00mm pitch Housing

Reference Informations:

*Material:Nylon 66,UL94V-0

*Suitable HDGC5002-T series Terminal

*Color:White

Ordering Information:

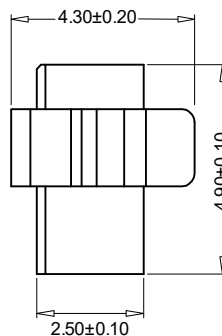
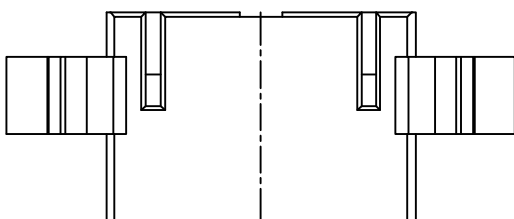
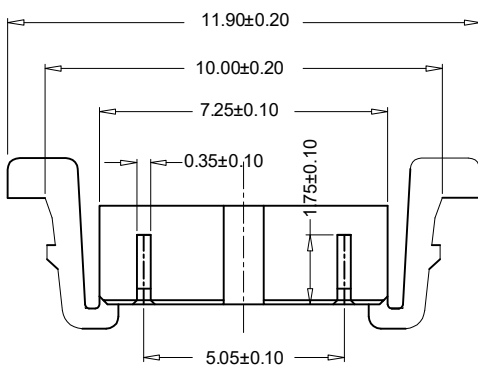
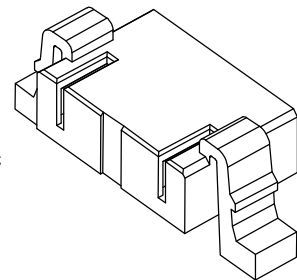
HDGC5002H- ***
1 2

1.Part No.

2.Material:

(blank):Nylon 66,UL94V-0

GWT:Nylon 66,UL94V-0,GWT 750°C



Unit: mm