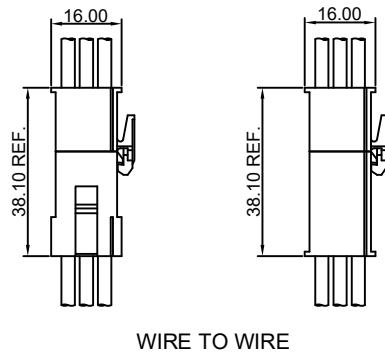
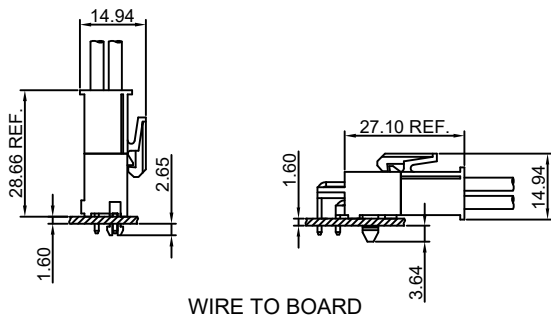


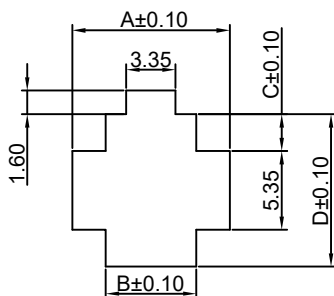
Specifications

- Current rating: 9A AC, DC max
- Voltage rating: 600V AC, DC
- Temperature range: -25°C ~ +85°C
- Contact resistance: 20mΩ Max.
- Insulation resistance: 1000MΩ Min.
- Withstanding voltage: 1500V AC/minute
- *Compliant with RoHS and REACH*
- *Meet the HF/Halogen Free, GWT/Glow wire Test (IEC60335-1) request, need to customize*
- *Contact HDGC for details*

Assembly layout



Panel hole layout



PART NO.	Dimensions			
	A	B	C	D
HDGC4140HM-2P	10.70	6.15	2.50	10.35
HDGC4140HM-3P	10.70	6.15	4.60	14.55
HDGC4140HM-2x2P	14.90	10.35	2.50	10.35
HDGC4140HM-2x3P	19.10	14.55	2.50	10.35
HDGC4140HM-2x4P	23.30	18.75	2.50	10.35
HDGC4140HM-2x5P	27.50	22.95	2.50	10.35
HDGC4140HM-2x6P	31.70	27.15	2.50	10.35
HDGC4140HM-2x7P	35.90	31.35	2.50	10.35

PART NO.	Dimensions			
	A	B	C	D
HDGC4140HM-2x8P	40.10	35.55	2.50	10.35
HDGC4140HM-2x9P	44.30	39.75	2.50	10.35
HDGC4140HM-2x10P	48.50	43.95	2.50	10.35
HDGC4140HM-2x11P	52.70	48.15	2.50	10.35
HDGC4140HM-2x12P	56.90	52.35	2.50	10.35
HDGC4140HM-3x3P	19.10	14.55	4.60	14.55
HDGC4140HM-3x4P	23.30	18.75	4.60	14.55
HDGC4140HM-3x5P	27.50	22.95	4.60	14.55

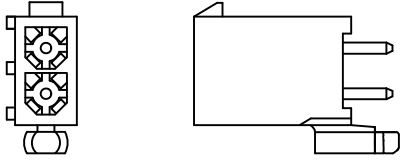
Unit:mm



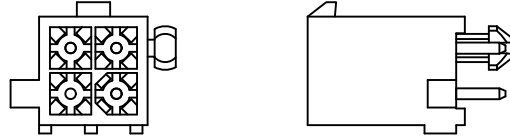
HDGC4140 Series 4.14mm (.163") Pitch Wire to Board and Wire to Wire Connector

180° Wafer

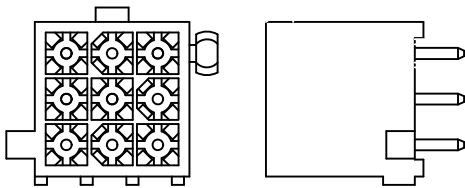
2P and 3P Circuit , Single Row



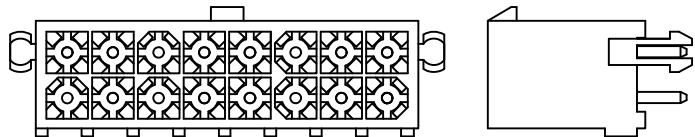
2x2P,2x3P,2x4P,2x5P and 2x6P Circuit , Dual Row



3x3P,3x4P and 3x5P Circuit , Triple Row

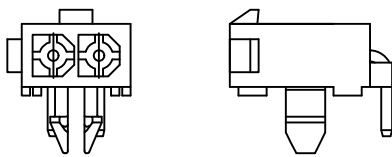


2x7P,2x8P,2x9P,2x10P,2x11P and 2x12P Circuit , Dual Row

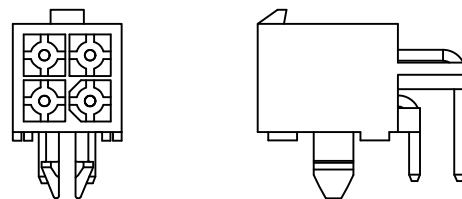


90° Wafer

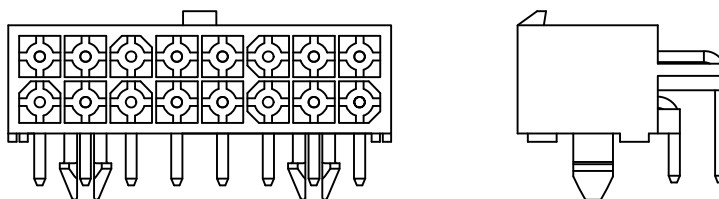
2P and 3P Circuit , Single Row



2x2P,2x3P,2x4P,2x5P and 2x6P Circuit , Dual Row



2x7P,2x8P,2x9P,2x10P,2x11P and 2x12P Circuit , Dual Row



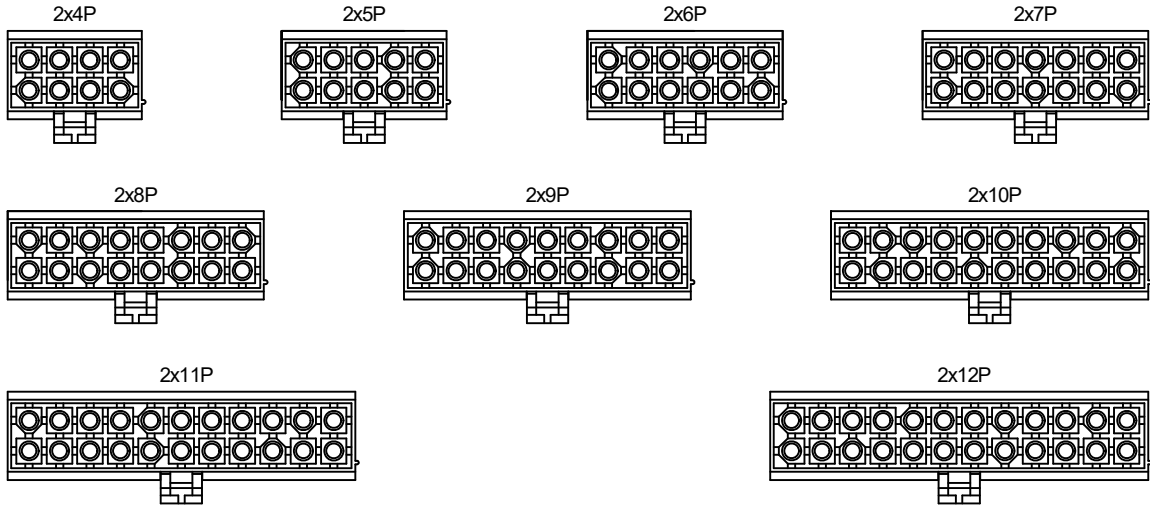


HDGC4140 SERIES

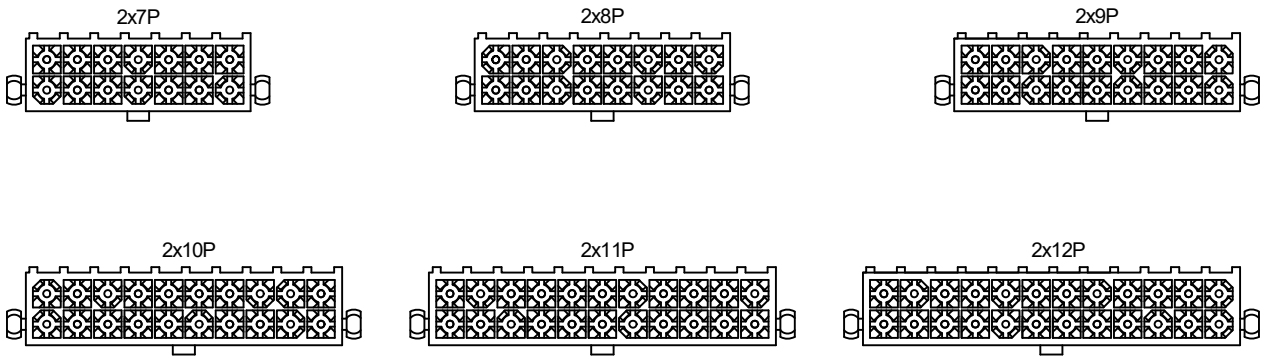


HDGC4140 Series 4.14mm (.163") Pitch Wire to Board and Wire to Wire Connector

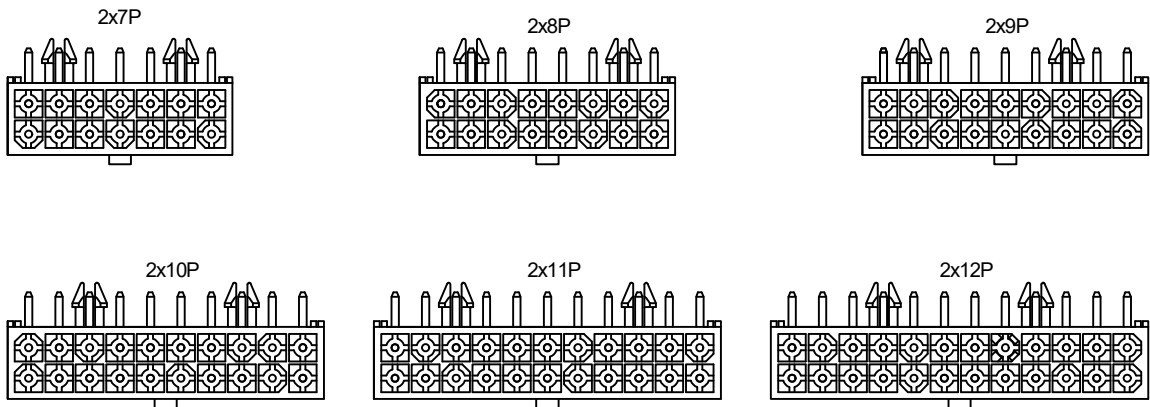
HDGC4140HF-2



HDGC4140WV-2



HDGC4140WR-2





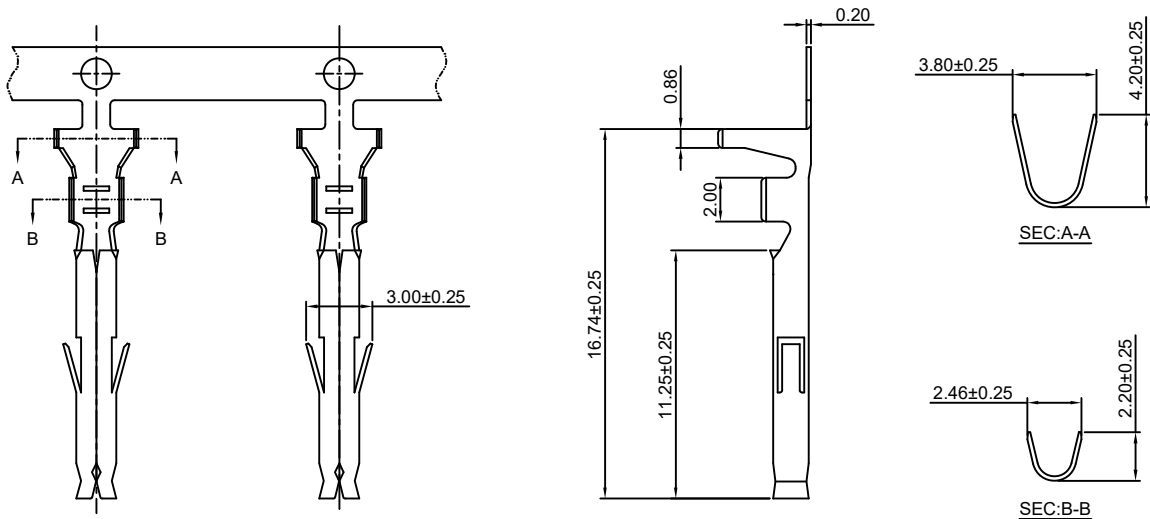
HDGC4140 Series 4.14mm (.163") Pitch Wire to Board and Wire to Wire Connector

HDGC4140F-T

4.14mm pitch Crimp Terminal

Reference Informations:

*Used in HDGC4140HF series Housing



Ordering information & Specifications:

Unit:mm

Part NO.	Wire Range	Insulation O.D.	Material	Finish	Qty/reel
HDGC4140F-TB	AWG#18-#22	2.40mm(max)	Brass	Tin over Nickel	4,000 PCS
HDGC4140F-TP	AWG#18-#22	2.40mm(max)	Phosphor Bronze	Tin over Nickel	4,000 PCS
HDGC4140F-GB	AWG#18-#22	2.40mm(max)	Brass	Gold over Nickel	4,000 PCS
HDGC4140F-GP	AWG#18-#22	2.40mm(max)	Phosphor Bronze	Gold over Nickel	4,000 PCS

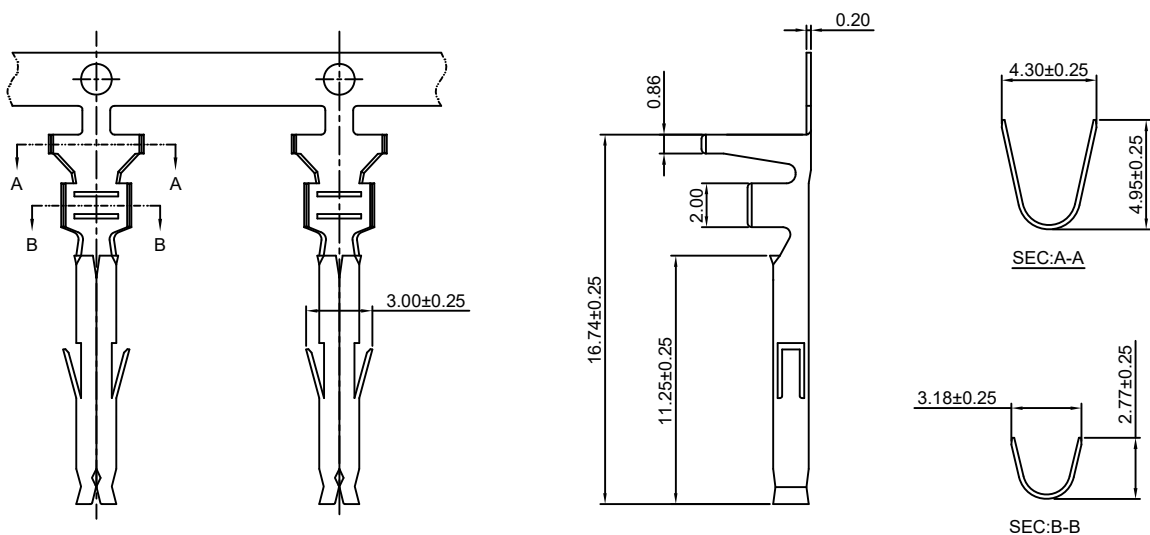
Optional Gold plating available but MOQ requested

HDGC4140F-T-H

4.14mm pitch Crimp Terminal

Reference Informations:

*Used in HDGC4140HF series Housing



Ordering information & Specifications:

Unit:mm

Part NO.	Wire Range	Insulation O.D.	Material	Finish	Qty/reel
HDGC4140F-TB-H	AWG#16-#20	3.20mm(max)	Brass	Tin over Nickel	4,000 PCS
HDGC4140F-TP-H	AWG#16-#20	3.20mm(max)	Phosphor Bronze	Tin over Nickel	4,000 PCS
HDGC4140F-GB-H	AWG#16-#20	3.20mm(max)	Brass	Gold over Nickel	4,000 PCS
HDGC4140F-GP-H	AWG#16-#20	3.20mm(max)	Phosphor Bronze	Gold over Nickel	4,000 PCS

Optional Gold plating available but MOQ requested



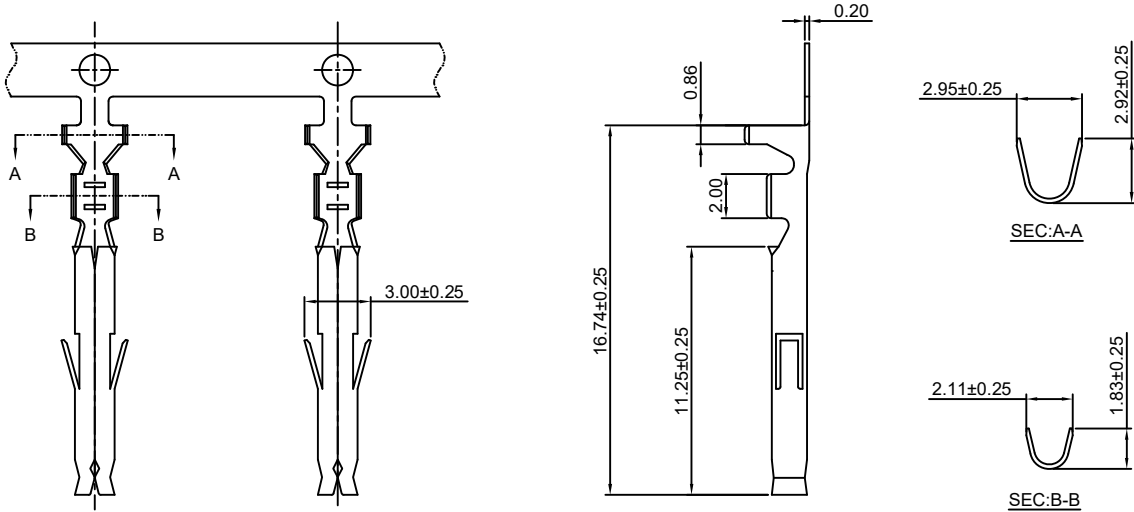
HDGC4140 Series 4.14mm (.163") Pitch Wire to Board and Wire to Wire Connector

HDGC4140F-T-L

4.14mm pitch Crimp Terminal

Reference Informations:

*Used in HDGC4140HF series Housing



Ordering information & Specifications:

Unit:mm

Part NO.	Wire Range	Insulation O.D.	Material	Finish	Qty/reel
HDGC4140F-TB-L	AWG#22-#26	1.75mm(max)	Brass	Tin over Nickel	5,000 PCS
HDGC4140F-TP-L	AWG#22-#26	1.75mm(max)	Phosphor Bronze	Tin over Nickel	5,000 PCS
HDGC4140F-GB-L	AWG#22-#26	1.75mm(max)	Brass	Gold over Nickel	5,000 PCS
HDGC4140F-GP-L	AWG#22-#26	1.75mm(max)	Phosphor Bronze	Gold over Nickel	5,000 PCS

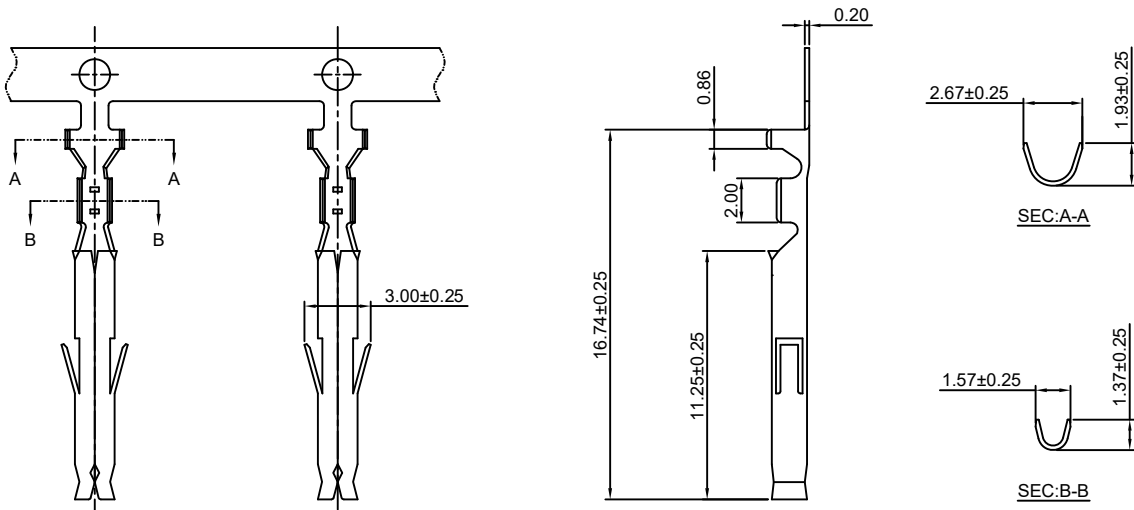
Optional Gold plating available but MOQ requested

HDGC4140F-T-LL

4.14mm pitch Crimp Terminal

Reference Informations:

*Used in HDGC4140HF series Housing



Ordering information & Specifications:

Unit:mm

Part NO.	Wire Range	Insulation O.D.	Material	Finish	Qty/reel
HDGC4140F-TB-LL	AWG#26-#30	1.00mm(max)	Brass	Tin over Nickel	4,000 PCS
HDGC4140F-TP-LL	AWG#26-#30	1.00mm(max)	Phosphor Bronze	Tin over Nickel	4,000 PCS
HDGC4140F-GB-LL	AWG#26-#30	1.00mm(max)	Brass	Gold over Nickel	4,000 PCS
HDGC4140F-GP-LL	AWG#26-#30	1.00mm(max)	Phosphor Bronze	Gold over Nickel	4,000 PCS

Optional Gold plating available but MOQ requested



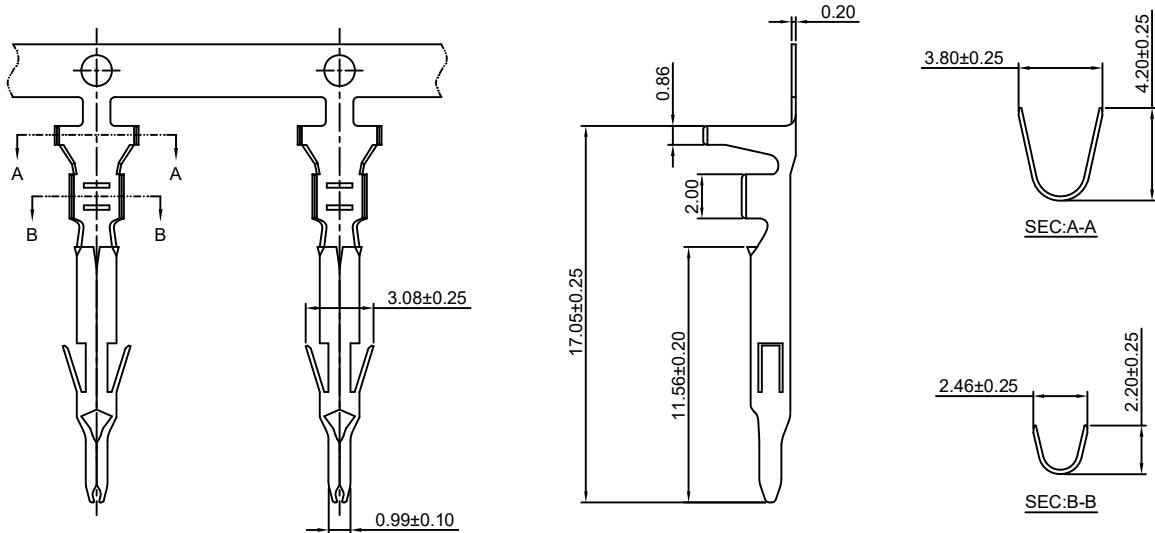
HDGC4140 Series 4.14mm (.163") Pitch Wire to Board and Wire to Wire Connector

HDGC4140M-T

4.14mm pitch Crimp Terminal

Reference Informations:

*Used in HDGC4140HM series Housing



Ordering information & Specifications:

Unit:mm

Part NO.	Wire Range	Insulation O.D.	Material	Finish	Qty/reel
HDGC4140M-TB	AWG#18-#22	2.40mm(max)	Brass	Tin over Nickel	4,000 PCS
HDGC4140M-TP	AWG#18-#22	2.40mm(max)	Phosphor Bronze	Tin over Nickel	4,000 PCS
HDGC4140M-GB	AWG#18-#22	2.40mm(max)	Brass	Gold over Nickel	4,000 PCS
HDGC4140M-GP	AWG#18-#22	2.40mm(max)	Phosphor Bronze	Gold over Nickel	4,000 PCS

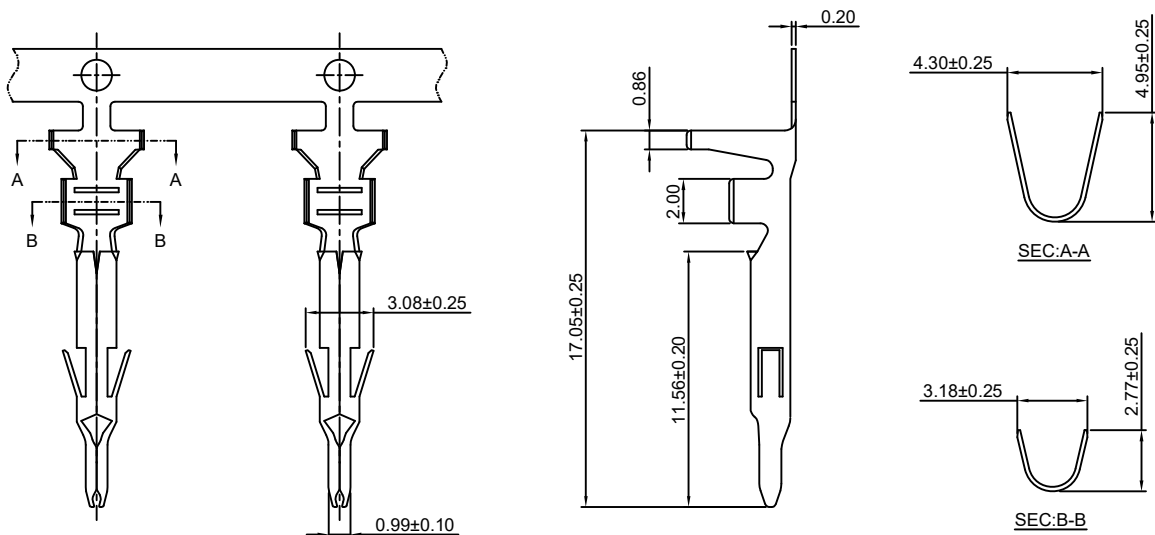
Optional Gold plating available but MOQ requested

HDGC4140M-T-H

4.14mm pitch Crimp Terminal

Reference Informations:

*Used in HDGC4140HM series Housing



Ordering information & Specifications:

Unit:mm

Part NO.	Wire Range	Insulation O.D.	Material	Finish	Qty/reel
HDGC4140M-TB-H	AWG#16-#20	3.20mm(max)	Brass	Tin over Nickel	4,000 PCS
HDGC4140M-TP-H	AWG#16-#20	3.20mm(max)	Phosphor Bronze	Tin over Nickel	4,000 PCS
HDGC4140M-GB-H	AWG#16-#20	3.20mm(max)	Brass	Gold over Nickel	4,000 PCS
HDGC4140M-GP-H	AWG#16-#20	3.20mm(max)	Phosphor Bronze	Gold over Nickel	4,000 PCS

Optional Gold plating available but MOQ requested



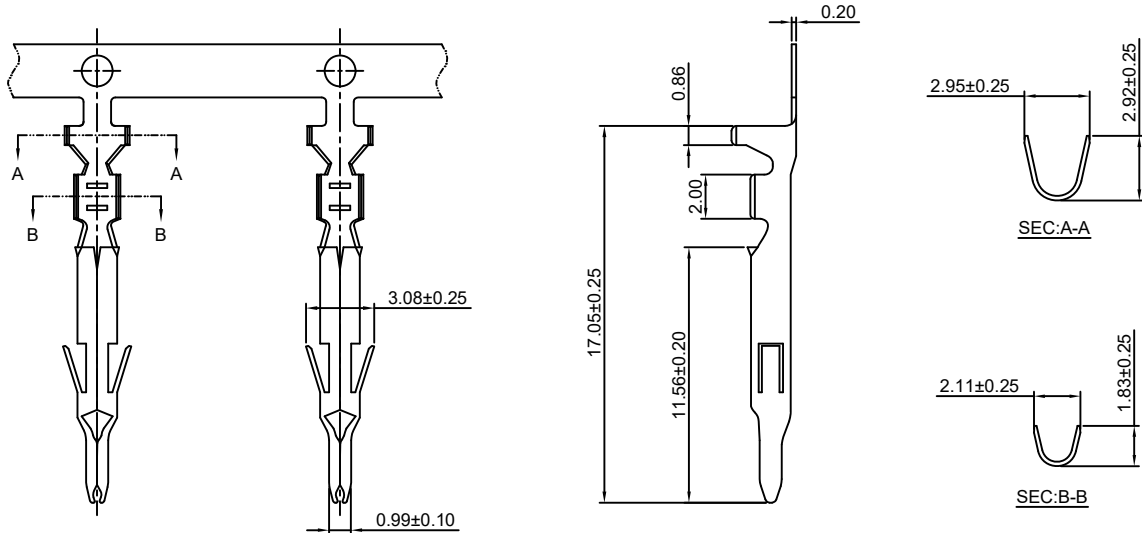
HDGC4140 Series 4.14mm (.163") Pitch Wire to Board and Wire to Wire Connector

HDGC4140M-T-L

4.14mm pitch Crimp Terminal

Reference Informations:

*Used in HDGC4140HM series Housing



Ordering information & Specifications:

Unit:mm

Part NO.	Wire Range	Insulation O.D.	Material	Finish	Qty/reel
HDGC4140M-TB-L	AWG#22-#26	1.75mm(max)	Brass	Tin over Nickel	4,000 PCS
HDGC4140M-TP-L	AWG#22-#26	1.75mm(max)	Phosphor Bronze	Tin over Nickel	4,000 PCS
HDGC4140M-GB-L	AWG#22-#26	1.75mm(max)	Brass	Gold over Nickel	4,000 PCS
HDGC4140M-GP-L	AWG#22-#26	1.75mm(max)	Phosphor Bronze	Gold over Nickel	4,000 PCS

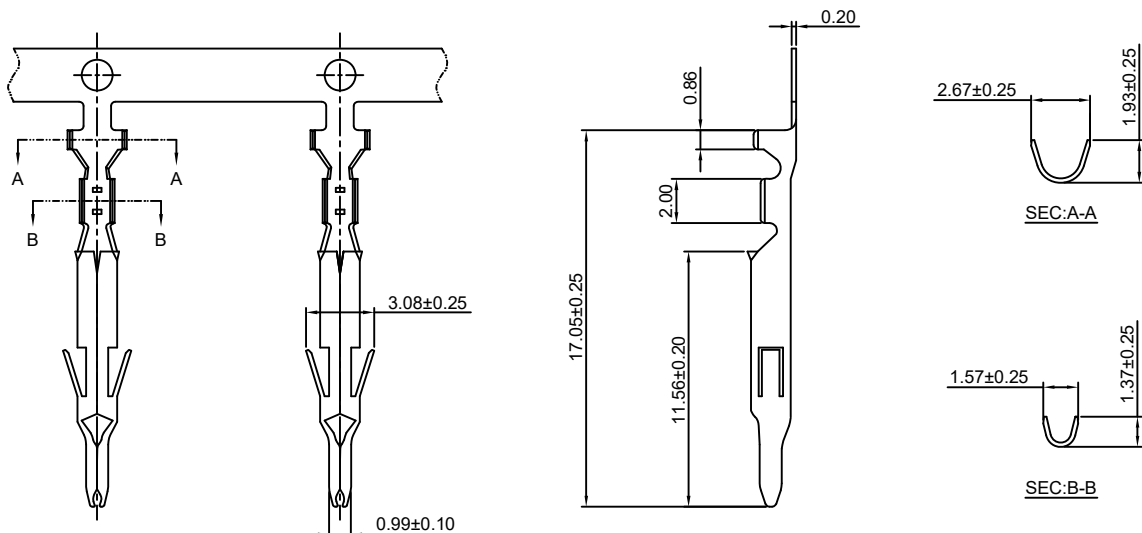
Optional Gold plating available but MOQ requested

HDGC4140M-T-LL

4.14mm pitch Crimp Terminal

Reference Informations:

*Used in HDGC4140HM series Housing



Ordering information & Specifications:

Unit:mm

Part NO.	Wire Range	Insulation O.D.	Material	Finish	Qty/reel
HDGC4140M-TB-LL	AWG#26-#30	1.00mm(max)	Brass	Tin over Nickel	4,000 PCS
HDGC4140M-TP-LL	AWG#26-#30	1.00mm(max)	Phosphor Bronze	Tin over Nickel	4,000 PCS
HDGC4140M-GB-LL	AWG#26-#30	1.00mm(max)	Brass	Gold over Nickel	4,000 PCS
HDGC4140M-GP-LL	AWG#26-#30	1.00mm(max)	Phosphor Bronze	Gold over Nickel	4,000 PCS

Optional Gold plating available but MOQ requested



HDGC4140 Series 4.14mm (.163") Pitch Wire to Board and Wire to Wire Connector

HDGC4140H

4.14mm Pitch Housing

Reference Informations:

- *Material:Nylon 66,UL94V-2 or UL94V-0
- *HDGC4140HM(Suitable Terminal :HDGC4140M-T-(H/-L/-LL))
- *HDGC4140HF(Suitable Terminal :HDGC 4140F-T-(H/-L/-LL))
- *Color:Natural

Ordering Information:

HDGC4140HF/HM(A)-2xXP - ***
1 2

- 1.Part No.
- 2.Material:
(blank):Nylon 66,UL94V-2/Natural
V0:Nylon 66,UL94V-0/White
GWT:Nylon 66,UL94V-0,GWT 750°C

Ordering Information:

HDGC4140HF/HM(A)-3xXP - ***
1 2

- 1.Part No.
- 2.Material:
(blank):Nylon 66,UL94V-2/Natural
V0:Nylon 66,UL94V-0/White
GWT:Nylon 66,UL94V-0,GWT 750°C

Unit: mm

HDGC4140HM(A)	HDGC4140HF
<p><u>HDGC4140HM-2x2P</u></p>	<p><u>HDGC4140HF-2x2P</u></p>
<p><u>HDGC4140HMA-2x2P</u></p>	<p><u>HDGC4140HF-2x3P</u></p>
<p><u>HDGC4140HM-2x3P</u></p>	<p><u>HDGC4140HF-2x3P</u></p>
<p><u>HDGC4140HMA-2x3P</u></p>	<p><u>HDGC4140HF-2x3P</u></p>



HDGC4140H

4.14mm Pitch Housing

Unit: mm

HDGC4140HM(A)	HDGC4140HF
<p><u>HDGC4140HM-3x3P</u></p>	<p><u>HDGC4140HF-3x3P</u></p>
<p><u>HDGC4140HMA-3x3P</u></p>	
<p><u>HDGC4140HM-3x4P</u></p>	<p><u>HDGC4140HF-3x4P</u></p>
<p><u>HDGC4140HMA-3x4P</u></p>	<p><u>HDGC4140HF-3x4P</u></p>
<p><u>HDGC4140HM-3x5P</u></p>	<p><u>HDGC4140HF-3x5P</u></p>
<p><u>HDGC4140HMA-3x5P</u></p>	<p><u>HDGC4140HF-3x5P</u></p>



HDGC4140 Series 4.14mm (.163") Pitch Wire to Board and Wire to Wire Connector

HDGC4140WV and WR

4.14mm Pitch Wafer

Reference Informations:

- *Material: Pin: Brass/Tin over Nickel or Gold over Nickel
Insulator: Nylon 66, UL94V-0
- *Mates with HDGC4140HF series Housing
- *Color: White

Ordering Information:

HDGC4140WV/WR-XP - *** - ***
1 2 3

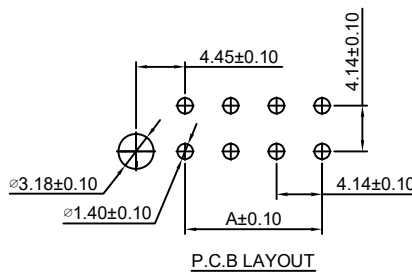
1. Part No.
2. Material:
(blank): Nylon 66, UL94V-0
GWT: Nylon 66, UL94V-0, GWT 750°C
3. Finish:
(blank): Tin over Nickel
G: Gold-flash
G15: 15µin (0.38µm) MIN. Select Gold (Mating Area)
100µin (2.54µm) MIN. Select Tin
G30: 30µin (0.76µm) MIN. Select Gold (Mating Area)
100µin (2.54µm) MIN. Select Tin

Unit: mm

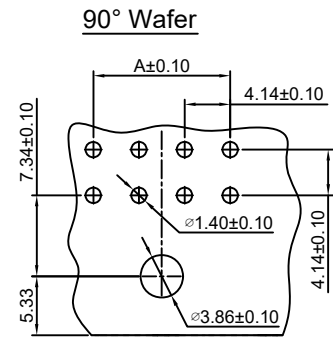
Assembly layout

Dimensions:

PART NO.		Dim.A
HDGC4140WV-2x2P	HDGC4140WR-2x2P	4.14
HDGC4140WV-2x3P	HDGC4140WR-2x3P	8.28
HDGC4140WV-2x4P	HDGC4140WR-2x4P	14.42
HDGC4140WV-2x5P	HDGC4140WR-2x5P	16.56
HDGC4140WV-2x6P	HDGC4140WR-2x6P	20.70



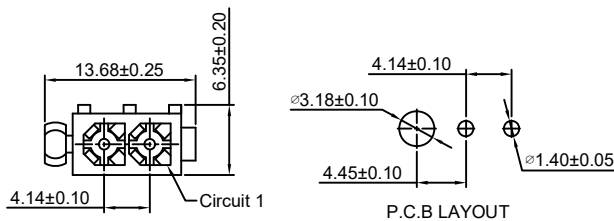
P.C.B LAYOUT
HDGC4140WV(2x2P.....2x6P)



P.C.B LAYOUT
HDGC4140WR(2x2P.....2x6P)

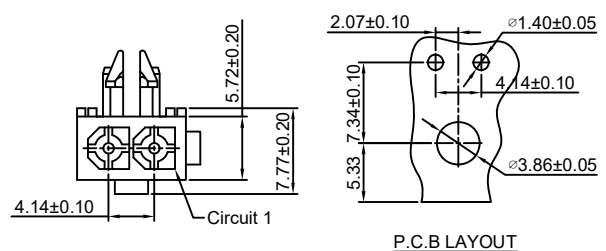
HDGC4140WV

HDGC4140WV-2P



HDGC4140WR

HDGC4140WR-2P





HDGC4140 Series 4.14mm (.163") Pitch Wire to Board and Wire to Wire Connector

HDGC4140WV and WR

4.14mm Pitch Wafer

Reference Informations:

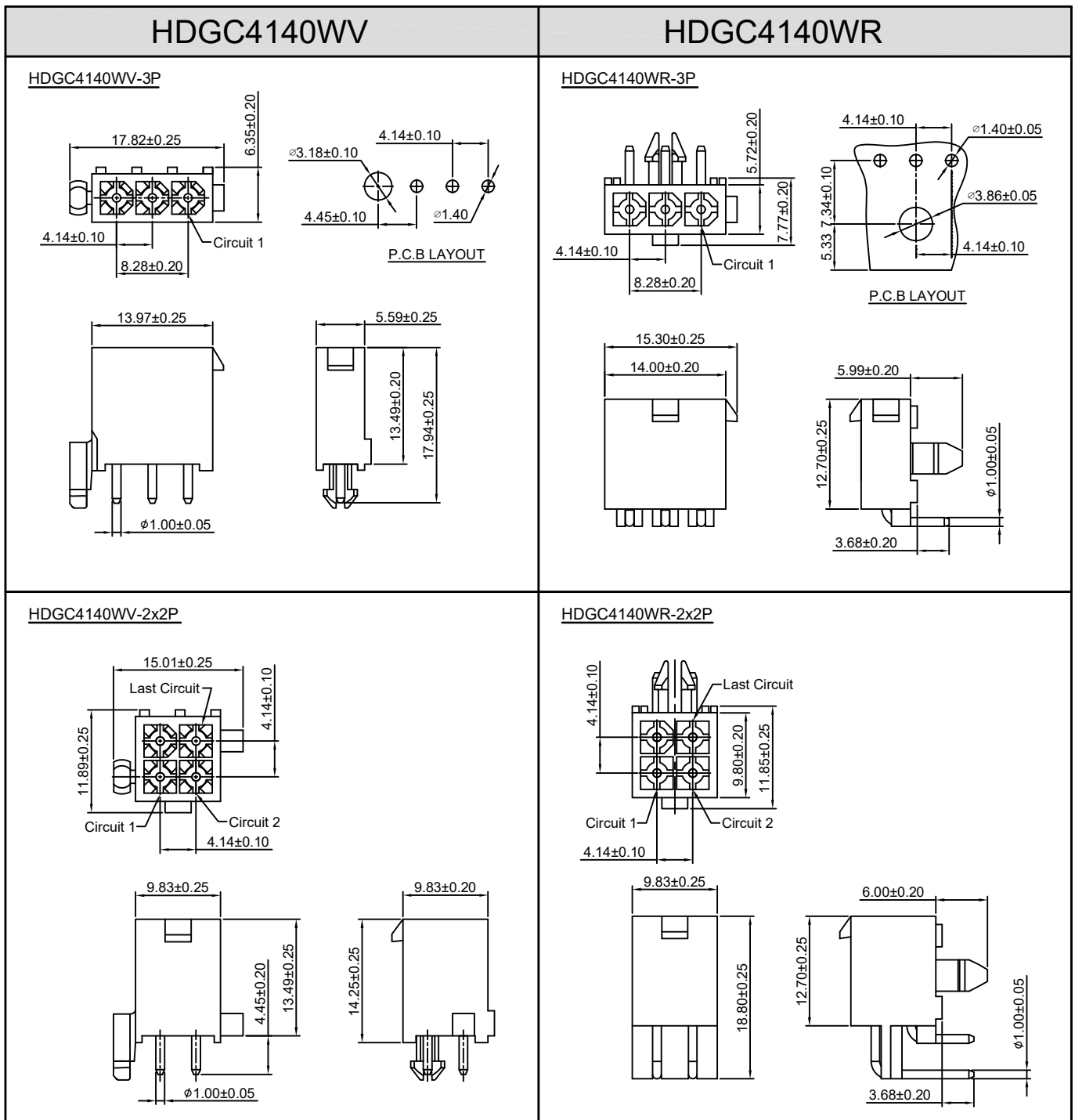
- *Material: Pin: Brass/Tin over Nickel or Gold over Nickel
Insulator: Nylon 66, UL94V-0
- *Mates with HDGC4140HF series Housing
- *Color: White

Ordering Information:

HDGC4140WV/WR-2xXP - *** - ***
1 2 3

1. Part No.
2. Material:
(blank): Nylon 66, UL94V-0
GWT: Nylon 66, UL94V-0, GWT 750°C
3. Finish:
(blank): Tin over Nickel
G: Gold-flash
G15: 15µin (0.38µm) MIN. Select Gold (Mating Area)
100µin (2.54µm) MIN. Select Tin
G30: 30µin (0.76µm) MIN. Select Gold (Mating Area)
100µin (2.54µm) MIN. Select Tin

Unit: mm





HDGC4140 Series 4.14mm (.163") Pitch Wire to Board and Wire to Wire Connector

HDGC4140WV and WR

4.14mm Pitch Wafer

Reference Informations:

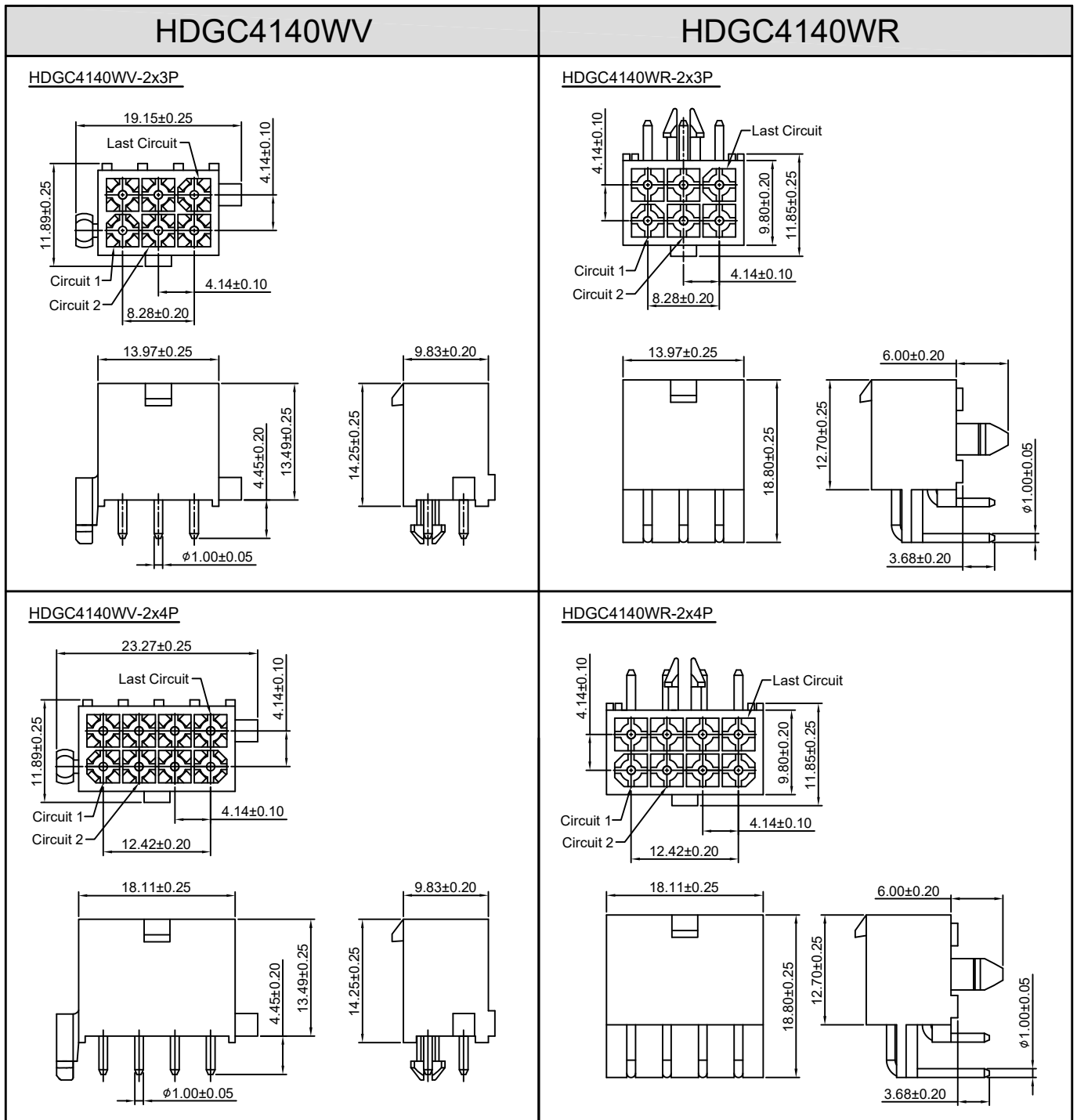
- *Material: Pin: Brass/Tin over Nickel or Gold over Nickel
Insulator: Nylon 66, UL94V-0
- *Mates with HDGC4140HF series Housing
- *Color: White

Ordering Information:

HDGC4140WV/WR-2xXP - *** - ***
1 2 3

1. Part No.
2. Material:
(blank): Nylon 66, UL94V-0
GWT: Nylon 66, UL94V-0, GWT 750°C
3. Finish:
(blank): Tin over Nickel
G: Gold-flash
G15: 15µm (0.38µm) MIN. Select Gold (Mating Area)
100µm (2.54µm) MIN. Select Tin
G30: 30µm (0.76µm) MIN. Select Gold (Mating Area)
100µm (2.54µm) MIN. Select Tin

Unit: mm





HDGC4140 Series 4.14mm (.163") Pitch Wire to Board and Wire to Wire Connector

HDGC4140WV and WR

4.14mm Pitch Wafer

Reference Informations:

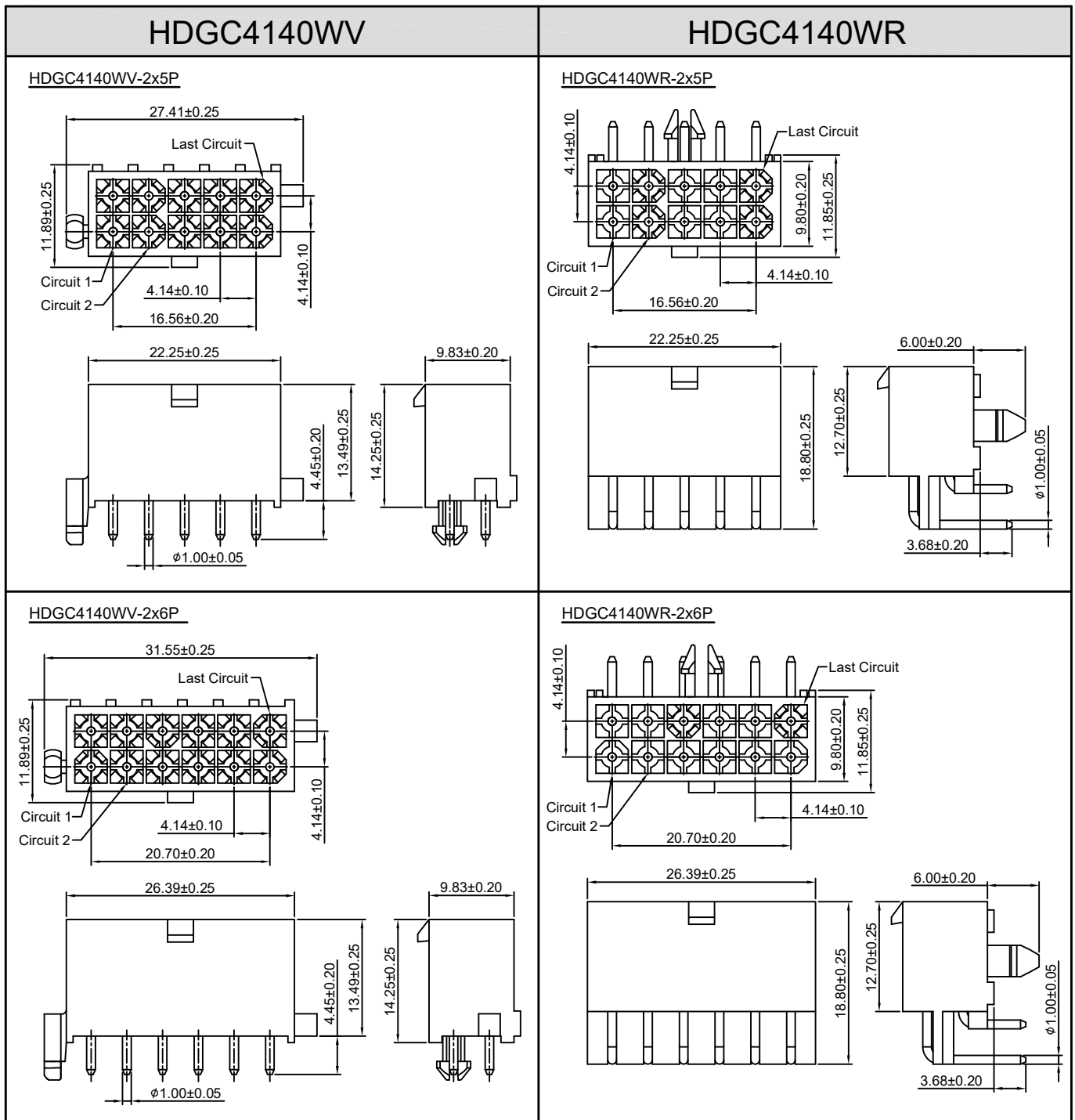
- *Material: Pin: Brass/Tin over Nickel or Gold over Nickel
Insulator: Nylon 66, UL94V-0
- *Mates with HDGC4140HF series Housing
- *Color: White

Ordering Information:

HDGC4140WV/WR-2xXP - *** - ***
1 2 3

1. Part No.
2. Material:
(blank): Nylon 66, UL94V-0
GWT: Nylon 66, UL94V-0, GWT 750°C
3. Finish:
(blank): Tin over Nickel
G: Gold-flash
G15: 15µin (0.38µm) MIN. Select Gold (Mating Area)
100µin (2.54µm) MIN. Select Tin
G30: 30µin (0.76µm) MIN. Select Gold (Mating Area)
100µin (2.54µm) MIN. Select Tin

Unit: mm





HDGC4140 SERIES



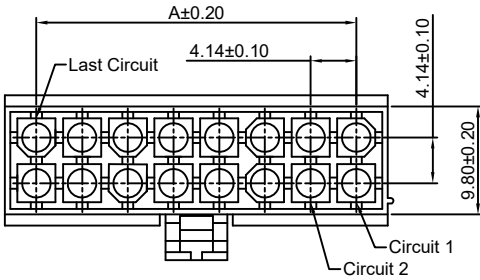
HDGC4140 Series 4.14mm (.163") Pitch Wire to Board and Wire to Wire Connector

HDGC4140HF-2xXP

4.14mm Pitch Dual Row Housing

Reference Informations:

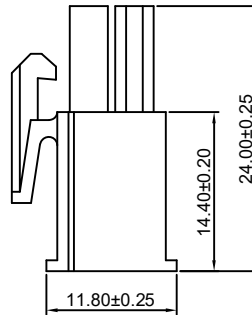
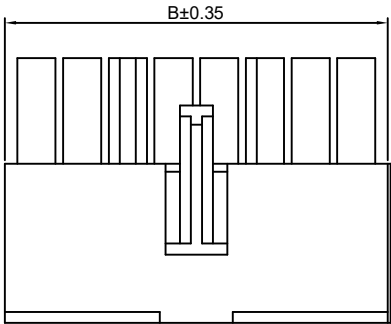
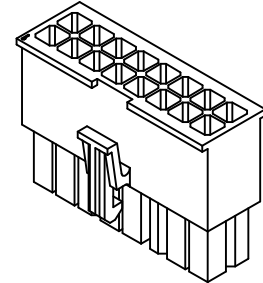
- *Material:Nylon 66,UL94V-0
- *Suitable HDGC4140F-T(-H/-L/-LL) series Terminal
- *Mates with HDGC4140HM(A)-2xXP series dual row Housing and HDGC4140WV,WR-2xXP series dual row Wafer
- *Color:White



Ordering Information:

HDGC4140HF-2xXP - ***
1 2

- 1.Part No.
- 2.Material:
(blank):Nylon 66,UL94V-0/White
GWT:Nylon 66,UL94V-0,GWT 750°C



Ordering Information & Dimensions:

PART NO.	Dimensions	
	A	B
2x4P	12.42	18.47
2x5P	16.56	22.61
2x6P	20.70	26.75
2x7P	24.84	30.89
2x8P	28.98	35.03
2x9P	33.12	39.17
2x10P	37.26	43.31
2x11P	41.40	47.45
2x12P	45.54	51.59

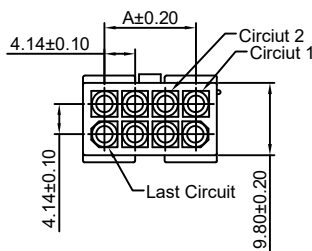
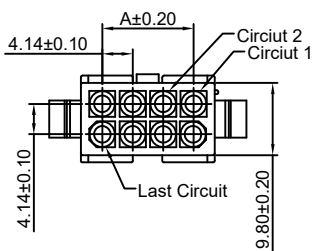
Unit: mm

HDGC4140HM(A)-2xXP

4.14mm Pitch Dual Row Housing

Reference Informations:

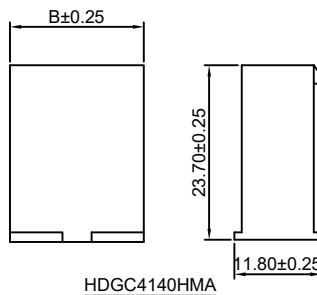
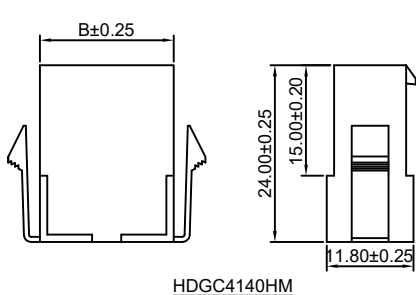
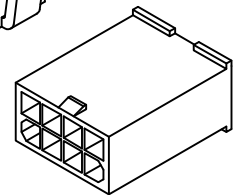
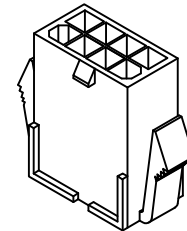
- *Material:Nylon 66,UL94V-0
- *Suitable HDGC4140M-T(-H/-L/-LL) series Terminal
- *Mates with HDGC4140HF-2xXP series dual row Housing
- *Color:Natural



Ordering Information:

HDGC4140HM(A)-2xXP - ***
1 2

- 1.Part No.
- 2.Material:
(blank):Nylon 66,UL94V-0/White
GWT:Nylon 66,UL94V-0,GWT 750°C



Ordering Information & Dimensions:

PART NO.	Dimensions	
	A	B
2x4P	12.42	18.20
2x5P	16.56	22.40
2x6P	20.70	26.60
2x7P	24.84	30.80
2x8P	28.98	35.00
2x9P	33.12	39.20
2x10P	37.26	43.40
2x11P	41.40	47.60
2x12P	45.54	51.80

Unit: mm



HDGC4140 Series 4.14mm (.163") Pitch Wire to Board and Wire to Wire Connector

HDGC4140WV-2xXP

4.14mm pitch 180° Dual Row Wafer

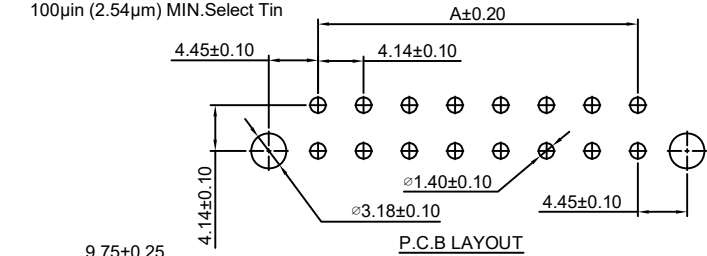
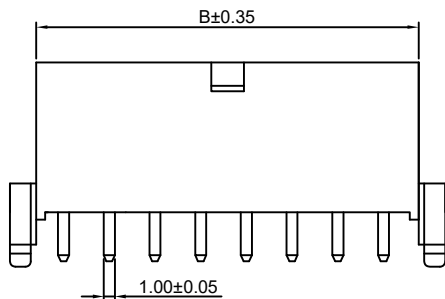
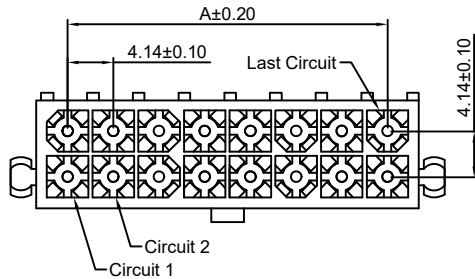
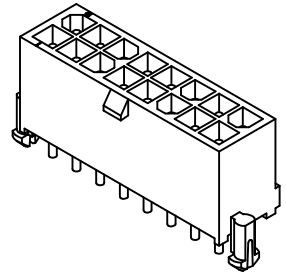
Reference Informations:

- *Material: Pin: Brass/Tin over Nickel
Insulator: Nylon 66, UL94V-0
- *Mates with HDGC4140HF-2xXP series dual row Housing
- *Color: White

Ordering Information:

HDGC4140WV-2xXP - *** - ***
1 2 3

1. Part No.
2. Material:
(blank): Nylon 66, UL94V-0
GWT: Nylon 66, UL94V-0, GWT 750°C
3. Finish:
(blank): Tin over Nickel
G: Gold-flash
G15: 15µm (0.38µm) MIN. Select Gold (Mating Area)
100µm (2.54µm) MIN. Select Tin
G30: 30µm (0.76µm) MIN. Select Gold (Mating Area)
100µm (2.54µm) MIN. Select Tin



Ordering Information & Dimensions:

PART NO.	Dimensions	
	A	B
2x7P	24.84	30.56
2x8P	28.98	34.70
2x9P	33.12	38.84
2x10P	37.26	42.98
2x11P	41.40	47.12
2x12P	45.54	51.26

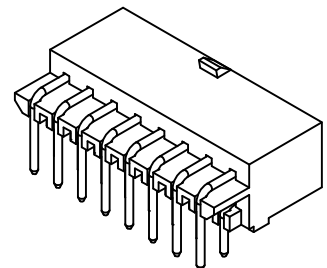
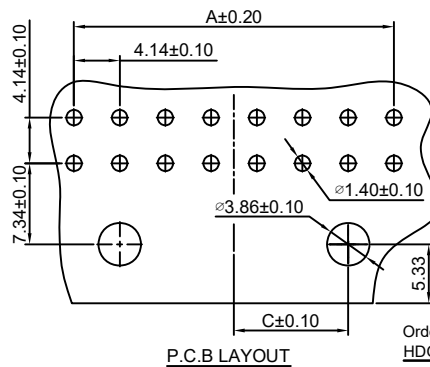
Unit: mm

HDGC4140WR-2xXP

4.14mm pitch 90° Dual Row Wafer

Reference Informations:

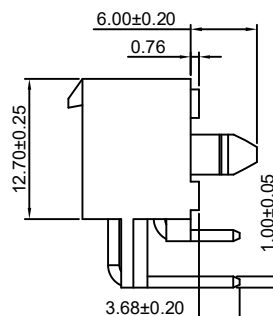
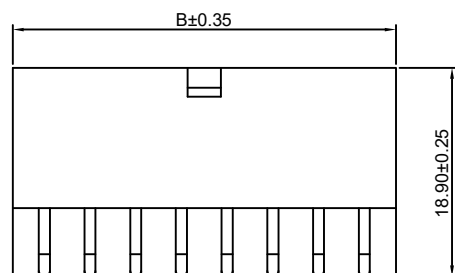
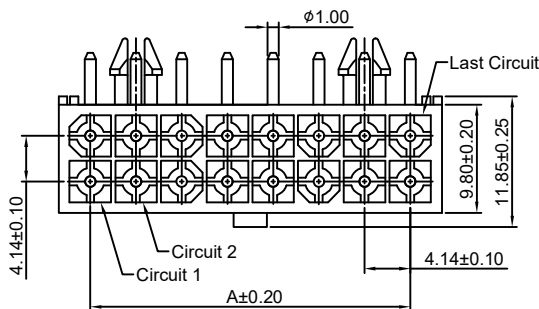
- *Material: Pin: Brass/Tin over Nickel
Insulator: Nylon 66, UL94V-0
- *Mates with HDGC4140HF-2xXP series dual row Housing
- *Color: White



Ordering Information:

HDGC4140WR-2xXP - *** - ***
1 2 3

1. Part No.
2. Material:
(blank): Nylon 66, UL94V-0
GWT: Nylon 66, UL94V-0, GWT 750°C
3. Finish:
(blank): Tin over Nickel
G: Gold-flash
G15: 15µm (0.38µm) MIN. Select Gold (Mating Area)
100µm (2.54µm) MIN. Select Tin
G30: 30µm (0.76µm) MIN. Select Gold (Mating Area)
100µm (2.54µm) MIN. Select Tin



Ordering Information & Dimensions:

PART NO.	Dimensions		
	A	B	C
2x7P	24.84	30.56	8.28
2x8P	28.98	34.70	10.35
2x9P	33.12	38.84	10.35
2x10P	37.26	42.98	10.35
2x11P	41.40	47.12	10.35
2x12P	45.54	51.26	10.35

Unit: mm