

## Specifications

Current rating:2A AC,DC

Voltage rating:100V AC,DC

Temperature range:-25°C~+85°C

Contact resistance:10mΩ Max.

Insulation resistance:1000MΩ Min.

Withstanding voltage:800V AC/minute

\*Compliant with RoHS and REACH\*

\*Meet the HF/Halogen Free,GWT/Glow wire

Test (IEC60335-1) request,need to

customize\*

\*Contact HDGC for details\*



# HDGC3701 SERIES



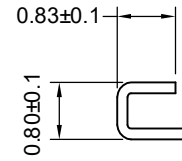
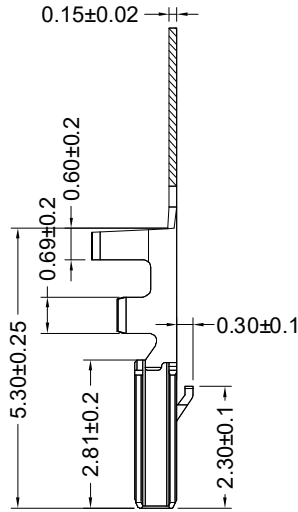
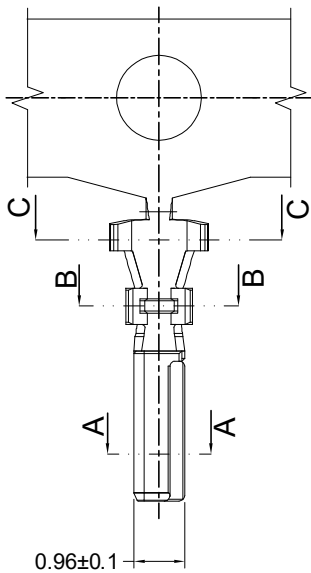
## HDGC3701 Series 3.70mm (.146") Pitch Wire to Board and Wire to Wire Connector

### HDGC3701-T

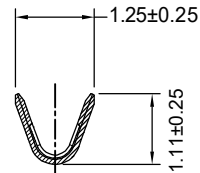
3.70mm pitch Crimp Terminal

#### Reference Informations:

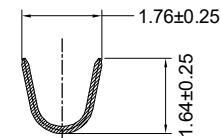
\*Used in HDGC3701H-2P series Housing



SEC:A-A



SEC:B-B



SEC:C-C

Ordering information & Specifications:

Unit:mm

Part NO.	Wire Range	Insulation O.D.	Material	Finish	Qty/reel
HDGC3701-TP	AWG#24-#30	1.50mm(max)	Phosphor Bronze	Tin over Nickel	15,000 PCS
HDGC3701-GP	AWG#24-#30	1.50mm(max)	Phosphor Bronze	Gold over Nickel	15,000 PCS

Optional Gold plating available but MOQ requested

### HDGC3701H-2P

3.70mm Pitch Housing

#### Reference Informations:

\*Material:Nylon 66,UL94V-0

\*Suitable HDGC3701-T series Terminal

\*Mates with HDGC701WR-2P series Wafer

\*Color:White

#### Ordering Information:

HDGC3701H-2P - \*\*\*

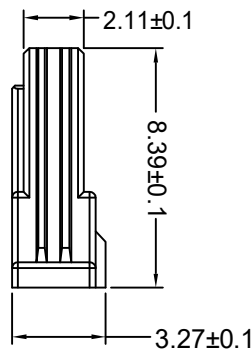
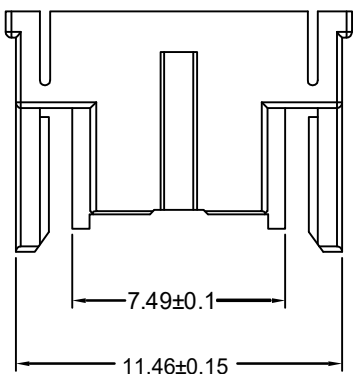
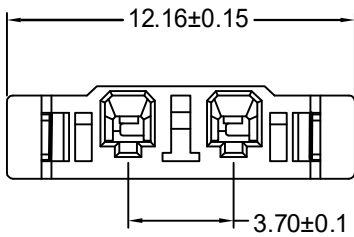
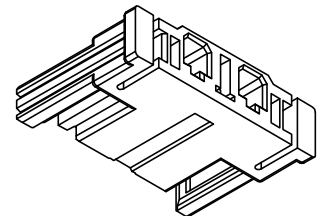
1 2

1.Part No.

2.Material:

(blank):Nylon 66,UL94V-0

GWT:Nylon 66,UL94V-0,GWT 750°C



Unit: mm



## HDGC3701 Series 3.70mm (.146") Pitch Wire to Board and Wire to Wire Connector

### HDGC3701WR-2P

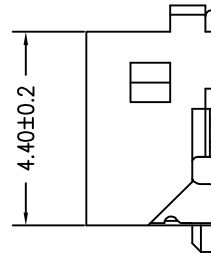
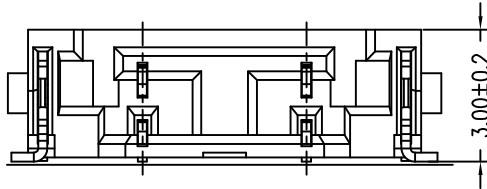
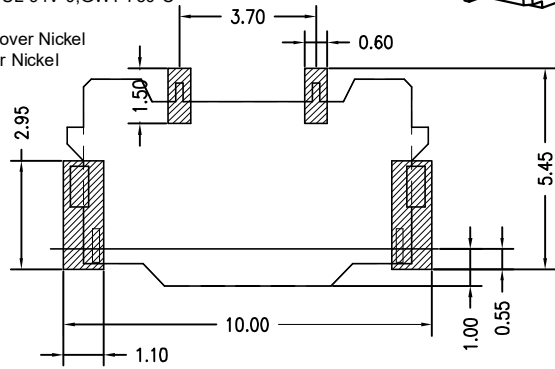
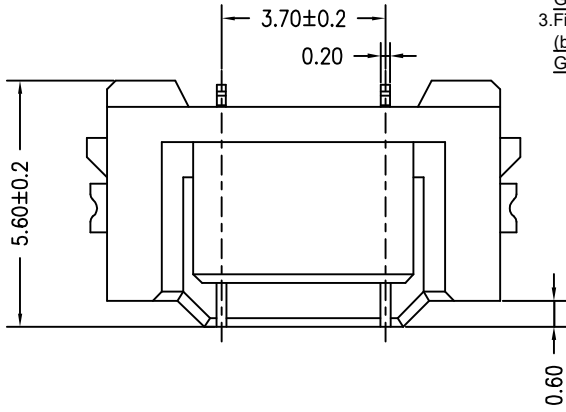
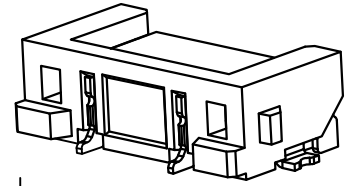
3.70mm pitch 90° Wafer

#### Reference Informations:

- \*Material: Pin: Phosphor Bronze/Tin over Nickel  
Insulator: LCP, UL94V-0
- \*Mates with HDGC3701H-2P series Housing
- \*Color: Beige

Ordering Information:  
 HDGC3701WR-2P -  $\frac{***}{1}$  -  $\frac{**}{2}$  -  $\frac{**}{3}$

1. Part No.
2. Material:  
(blank): LCP, UL 94V-0  
GWT: LCP, UL 94V-0, GWT 750°C
3. Finish:  
(blank): Tin over Nickel  
G: Gold over Nickel



Unit: mm