

Specifications

- Current rating: 1A AC,DC
- Voltage rating: 125V AC,DC
- Temperature range: -25°C~+85°C
- Contact resistance: 20mΩMax.
- Insulation resistance: 100MΩMin.
- Withstanding voltage: 250V AC/minute
- *Compliant with RoHS and REACH*
- *Meet the HF/Halogen Free, need to customize*
- *Contact HDGC for details*



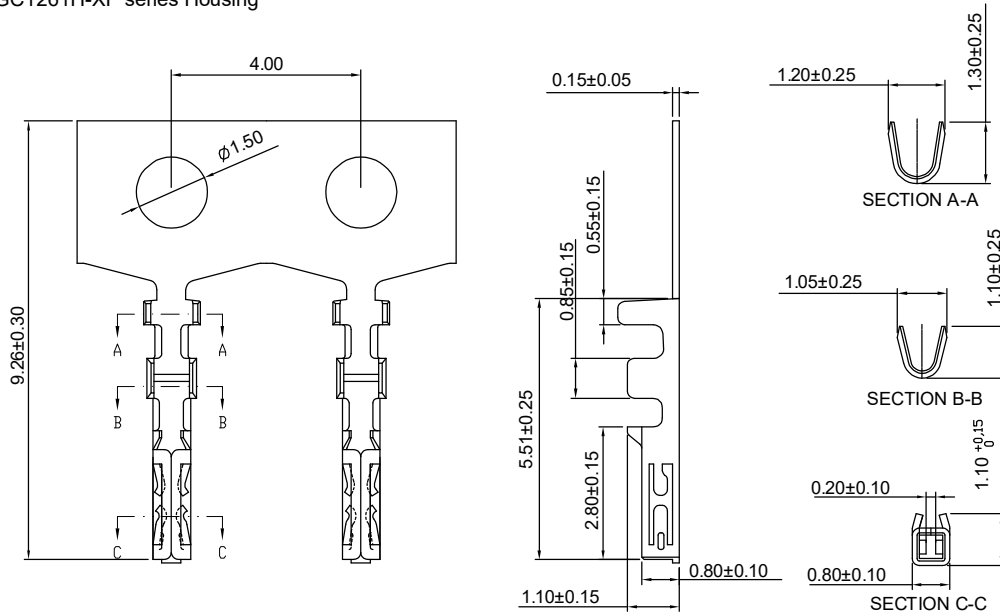
HDGC1261 Series 1.25mm (.049") Pitch Wire to Board Connector

HDGC1261-T

1.25mm pitch Crimp Terminal

Reference Informations:

*Used in HDGC1261H-XP series Housing



Ordering information & Specifications:

Unit:mm

| Part NO. | Wire Range | Insulation O.D. | Material | Finish | Qty/reel |
|-------------|------------|-----------------|-----------------|------------------|------------|
| HDGC1261-TP | AWG#28-#32 | 1.00mm(max) | Phosphor Bronze | Tin over Nickel | 15,000 PCS |
| HDGC1261-GP | AWG#28-#32 | 1.00mm(max) | Phosphor Bronze | Gold over Nickel | 15,000 PCS |

Optional Gold plating available but MOQ requested

HDGC1261H-XP

1.25mm pitch Housing

Reference Informations:

*Material:Nylon 66,UL94V-0

*Suitable HDGC1261-T series Terminal

*Color:White

Ordering Information:

HDGC1261H-XP - ***

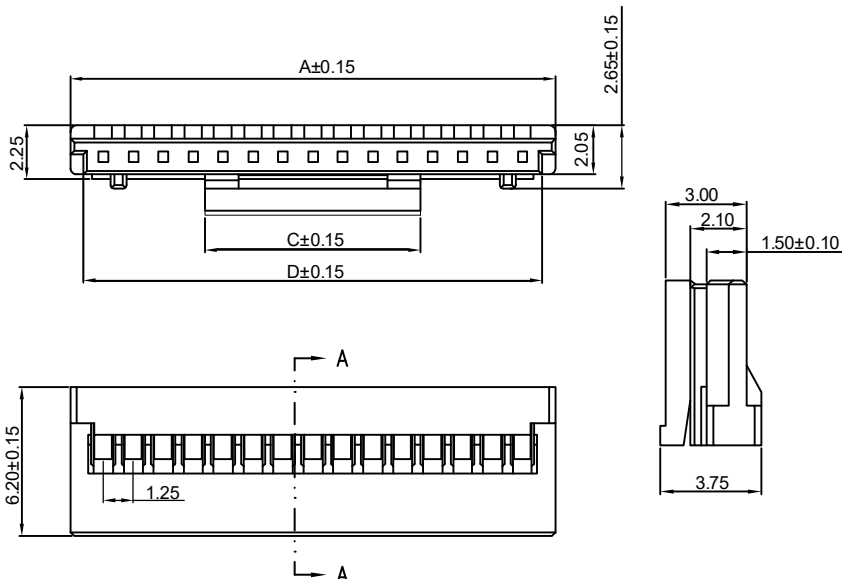
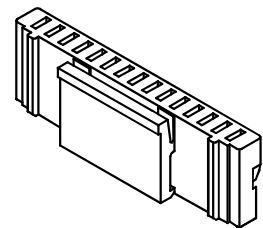
1 2

1.Part No.

2.Material:

(blank):Nylon 66,UL94V-0

GWT:Nylon 66,UL94V-0,GWT 750°C



Ordering Information & Dimensions:

| PART NO. | Dimensions | | |
|----------|------------|-------|------|
| | A | B | C |
| 5P | | | |
| 8P | | | |
| 10P | | | |
| 12P | | | |
| 15P | 20.25 | 19.15 | 9.00 |

Unit: mm