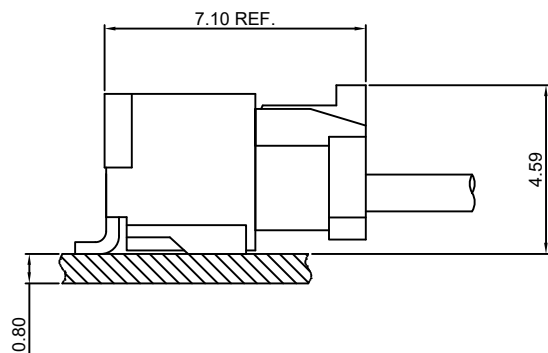
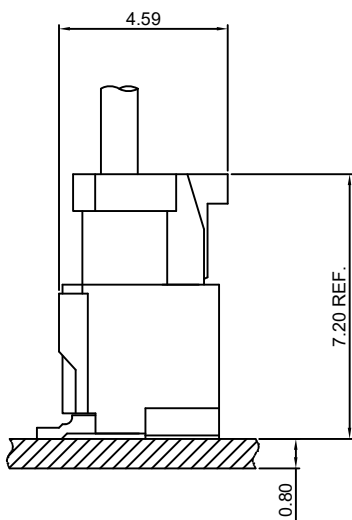


## Specifications

- Current rating: 1A AC, DC
- Voltage rating: 50V AC, DC
- Temperature range: -25°C ~ +85°C
- Contact resistance: 30mΩ Max.
- Insulation resistance: 100MΩ Min.
- Withstanding voltage: 500V AC/minute
- \*Compliant with RoHS and REACH\*
- \*Meet the HF/Halogen Free, need to customize\*
- \*Contact HDGC for details\*

## Assembly layout





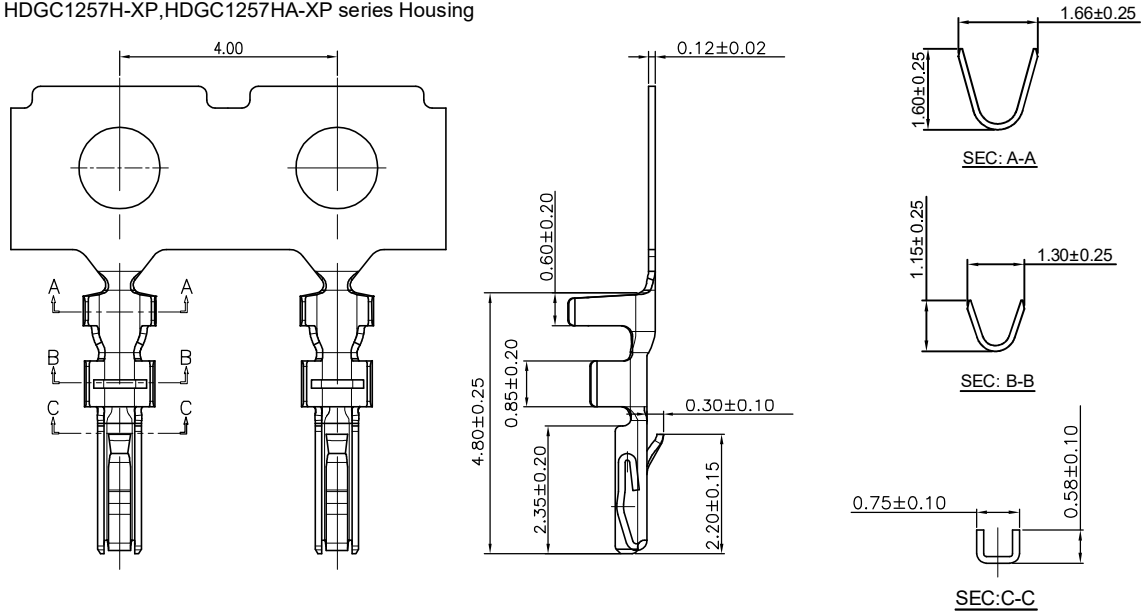
## HDGC1257 Series 1.25mm (.049") Pitch Wire to Board Connector

### HDGC1257-T

1.25mm pitch Crimp Terminal

**Reference Informations:**

\*Used in HDGC1257H-XP, HDGC1257HA-XP series Housing



Ordering information & Specifications:

Unit:mm

Part NO	Wire Range	Insulation O.D.	Material	Finish	Qty/reel
HDGC1257-TP	AWG#28-#32	1.00mm(max)	Phosphor Bronze	Tin over Nickel	20,000 PCS
HDGC1257-GP	AWG#28-#32	1.00mm(max)	Phosphor Bronze	Gold over Nickel	20,000 PCS

Optional Gold plating available but MOQ requested

### HDGC1257H-XP

1.25mm pitch Housing

**Reference Informations:**

\*Material:Nylon 66,UL94V-0

\*Suitable HDGC1257-T series Terminal

\*Mates with HDGC1257WV-S,WR-S-XP series Wafer

\*Color:White

**Ordering Information:**

HDGC1257H-XP - \*\*\* - \*\*\*  
1 2 3

1.Part No.

2.Material:

(Blank):Nylon 66,UL94V-0

GWT:Nylon 66,UL94V-0,GWT 750 °C

3.Color:

(Blank):White

BK:Black

OR:Orange

TR:Tomato red

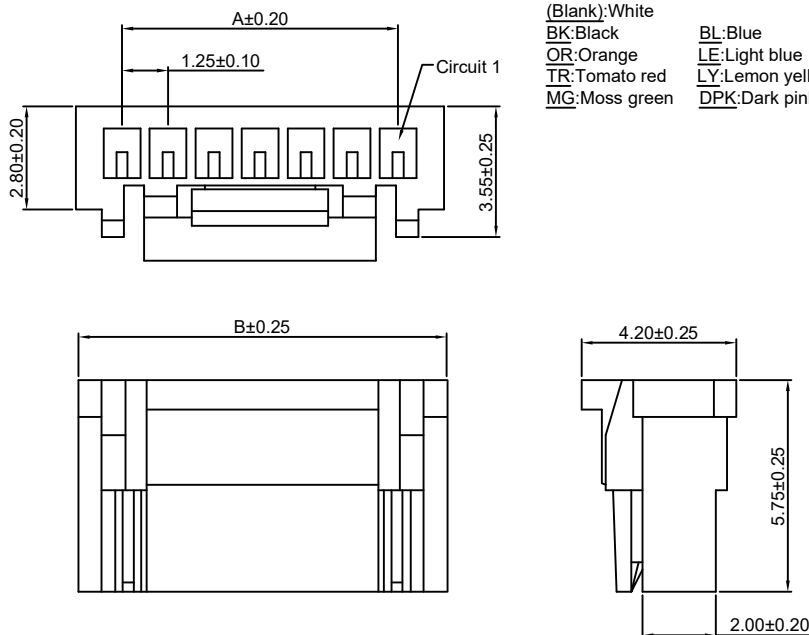
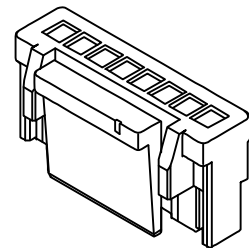
MG:Moss green

BL:Blue

LE:Light blue

LY:Lemon yellow

DPK:Dark pink



Ordering Information & Dimensions:

PART NO.	Dimensions	
	A	B
2P	1.25	3.75
3P	2.50	5.00
4P	3.75	6.25
5P	5.00	7.50
6P	6.25	8.75
7P	7.50	10.00
8P	8.75	11.25
9P	10.00	12.50
10P	11.25	13.75
11P	12.50	15.00
12P	13.75	16.25
13P	15.00	17.50
14P	16.25	18.75
15P	17.50	20.00

Unit: mm



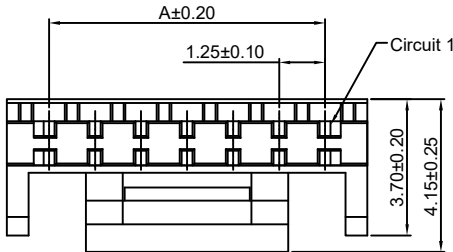
## HDGC1257 Series 1.25mm (.049") Pitch Wire to Board Connector

### HDGC1257HA-XP

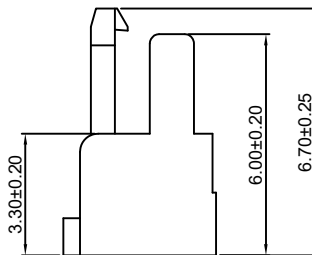
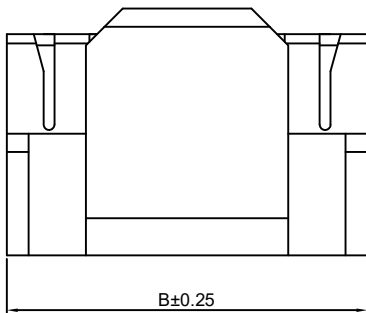
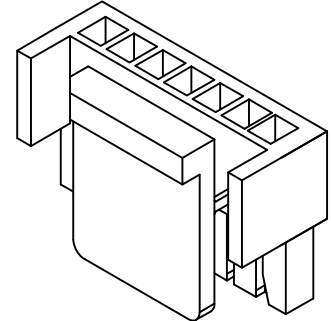
1.25mm pitch Housing

**Reference Informations:**

- \*Material:PBT,UL94V-0
- \*Suitable HDGC1257-T series Terminal
- \*Color:White



Ordering Information:  
**HDGC1257HA-XP - \*\*\***  
 1 2  
 1.Part No.  
 2.Material:  
 (Blank):PBT,UL94V-0  
 GWT:PBT,UL94V-0,GWT 750 °C



**Ordering Information & Dimensions:**

PART NO.	Dimensions	
	A	B
4P	3.75	6.05
5P	5.00	7.30
7P	7.50	9.80
8P	8.75	11.05
10P	11.25	13.56

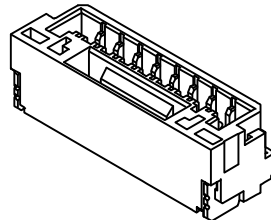
Unit: mm

### HDGC1257WV-S-XP

1.25mm pitch 180° Wafer-SMT TYPE

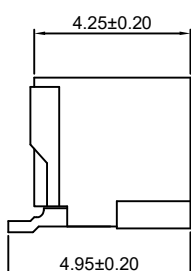
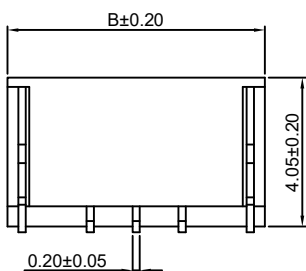
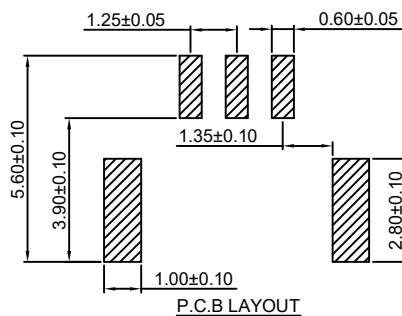
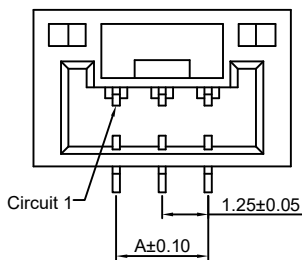
**Reference Informations:**

- \*Material:Pin:Brass/Tin over Nickel  
Insulator:Nylon 9T,UL94V-0
- \*Mates with HDGC1257H-XP series Housing
- \*Color:Ivory



Ordering Information:  
**HDGC1257WV-S-XP - \*\*\* - \*\*\* - \***  
 1 2 3 4

- 1.Part No.
- 2.Material:  
(Blank):Nylon 9T,UL94V-0  
GWT:Nylon 9T,UL94V-0,GWT 750 °C
- 3.Color:  
(Blank):Ivory  
BK:Black      BL:Blue  
OR:Orange    LE:Light blue  
TR:Tomato red   LY:Lemon yellow  
MG:Moss green   DPK:Dark pink
- 4.Finish:  
(Blank):Tin over Nickel  
G:Gold over Nickel



**Ordering Information & Dimensions:**

PART NO.	Dimensions	
	A	B
2P	1.25	5.75
3P	2.50	7.00
4P	3.75	8.25
5P	5.00	9.50
6P	6.25	10.75
7P	7.50	12.00
8P	8.75	13.25
9P	10.00	14.50
10P	11.25	15.75
11P	12.50	17.00
12P	13.75	18.25
13P	15.00	19.50
14P	16.25	20.75
15P	17.50	22.00

Unit: mm



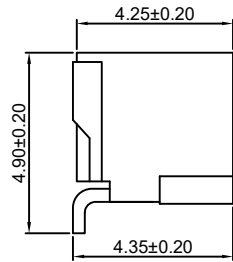
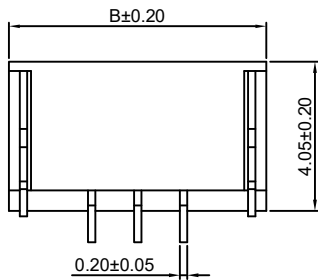
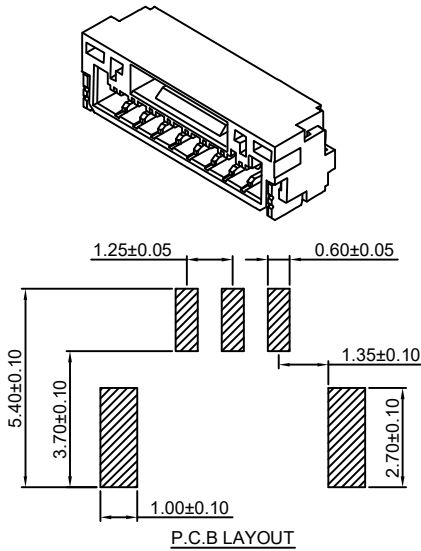
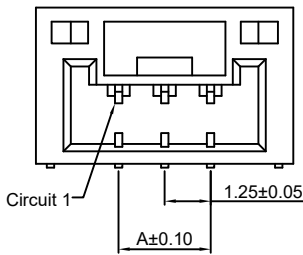
## HDGC1257 Series 1.25mm (.049") Pitch Wire to Board Connector

### HDGC1257WR-S-XP

1.25mm pitch 90° Wafer-SMT TYPE

**Reference Informations:**

- \*Material: Pin: Brass/Tin over Nickel  
Insulator: Nylon 9T, UL94V-0
- \*Mates with HDGC1257H-XP series Housing
- \*Color: Ivory



- Ordering Information:  
**HDGC1257WR-S-XP** - \*\*\* - \*\*\* - \*  
 1 2 3 4
- 1.Part No.  
 2.Material:  
 (Blank): Nylon 9T, UL94V-0  
 GWT: Nylon 9T, UL94V-0, GWT 750 °C
- 3.Color:  
 (Blank): Ivory  
 BK: Black      BL: Blue  
 OR: Orange    LE: Light blue  
 TR: Tomato red   LY: Lemon yellow  
 MG: Moss green   DPK: Dark pink
- 4.Finish:  
 (Blank): Tin over Nickel  
 G: Gold over Nickel

**Ordering Information & Dimensions:**

PART NO.	Dimensions	
	A	B
2P	1.25	5.75
3P	2.50	7.00
4P	3.75	8.25
5P	5.00	9.50
6P	6.25	10.75
7P	7.50	12.00
8P	8.75	13.25
9P	10.00	14.50
10P	11.25	15.75
11P	12.50	17.00
12P	13.75	18.25
13P	15.00	19.50
14P	16.25	20.75
15P	17.50	22.00

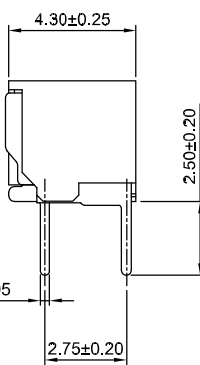
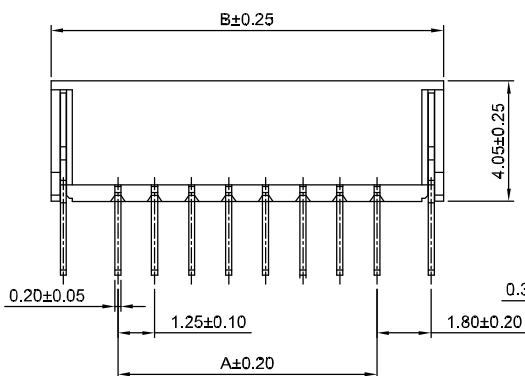
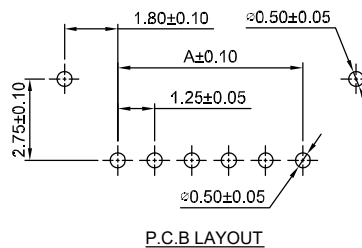
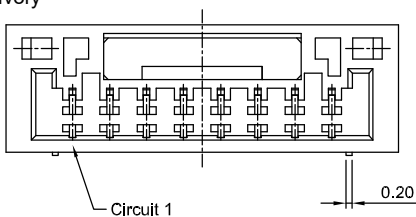
Unit: mm

### HDGC1257WV-F-XP

1.25mm pitch 180° Wafer-SMT TYPE

**Reference Informations:**

- \*Material: Pin: Brass/Tin over Nickel  
Insulator: Nylon 9T, UL94V-0
- \*Mates with HDGC1257H-XP series Housing
- \*Color: Ivory



- Ordering Information:  
**HDGC1257WV-F-XP** - \*\*\* - \*\*\* - \*  
 1 2 3 4

- 1.Part No.  
 2.Material:  
 (Blank): Nylon 9T, UL94V-0  
 GWT: Nylon 9T, UL94V-0, GWT 750 °C
- 3.Color:  
 (Blank): Ivory  
 BK: Black      BL: Blue  
 OR: Orange    LE: Light blue  
 TR: Tomato red   LY: Lemon yellow  
 MG: Moss green   DPK: Dark pink
- 4.Finish:  
 (Blank): Tin over Nickel  
 G: Gold over Nickel

**Ordering Information & Dimensions:**

PART NO.	Dimensions	
	A	B
2P	1.25	5.75
3P	2.50	7.00
4P	3.75	8.25
5P	5.00	9.50
6P	6.25	10.75
7P	7.50	12.00
8P	8.75	13.25
9P	10.00	14.50
10P	11.25	15.75
11P	12.50	17.00
12P	13.75	18.25
13P	15.00	19.50
14P	16.25	20.75
15P	17.50	22.00

Unit: mm