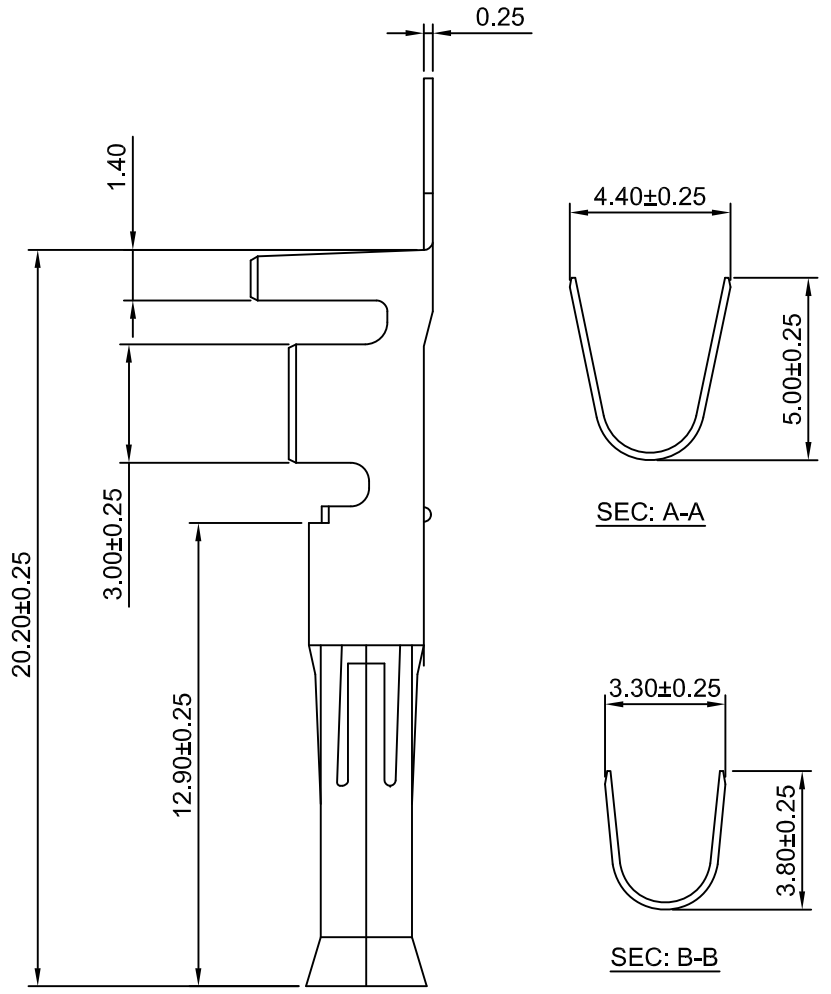
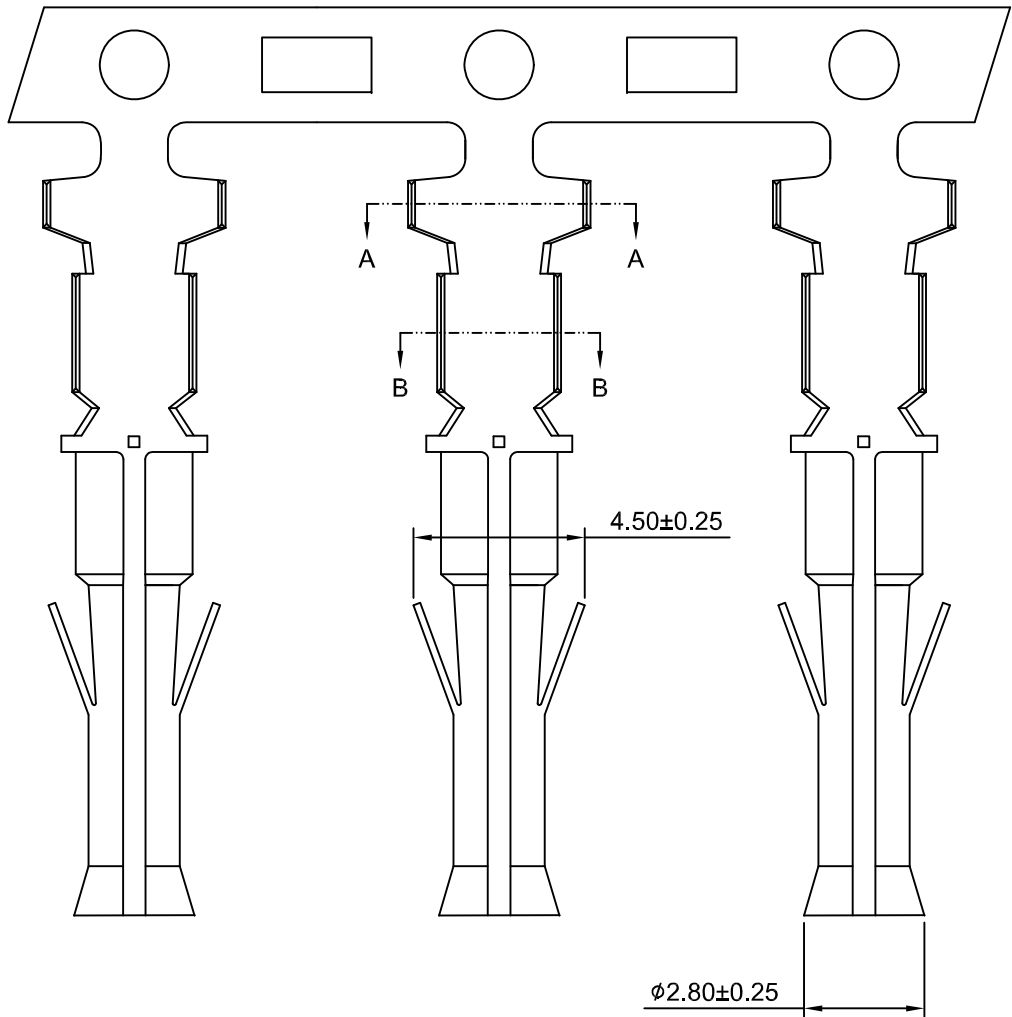


修订 REV	标记 MARK	修改摘要 REVISION DESCRIPTION	签名 SIGNATURE	日期 DATE
AO		NEW RELEASE	WANG	2015-04-12




Ordering information & Specifications


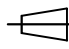
Unit:mm

Part No	Wire Range	Insultion O.D.	Material	Finish	Qty/reel
HDGC6203-TB	AWG#14-#24	4.10mm(max)	Brass	Tin over Nickel	2,500 PCS
HDGC6203-GB	AWG#14-#24	4.10mm(max)	Brass	Gold over Nickel	2,500 PCS

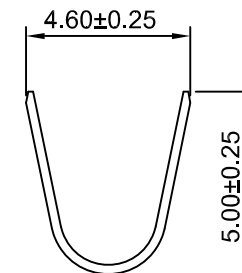
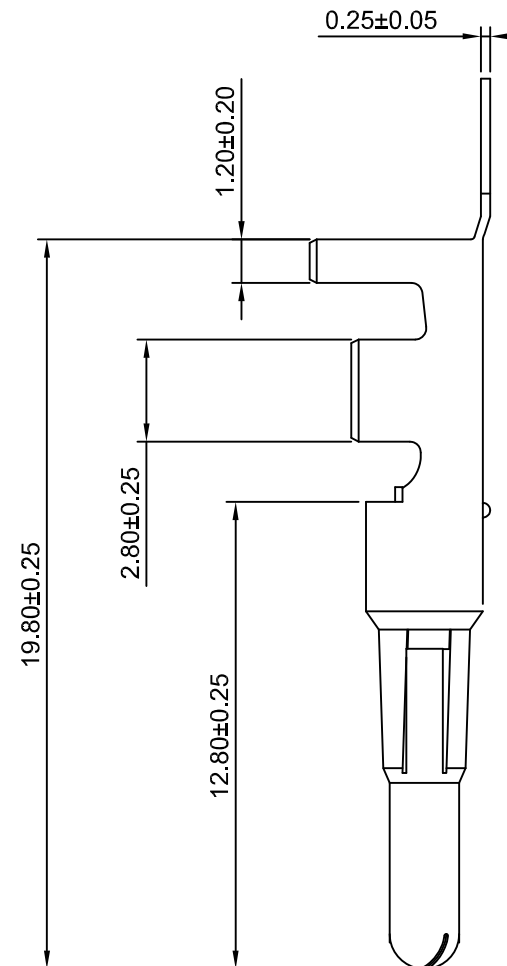
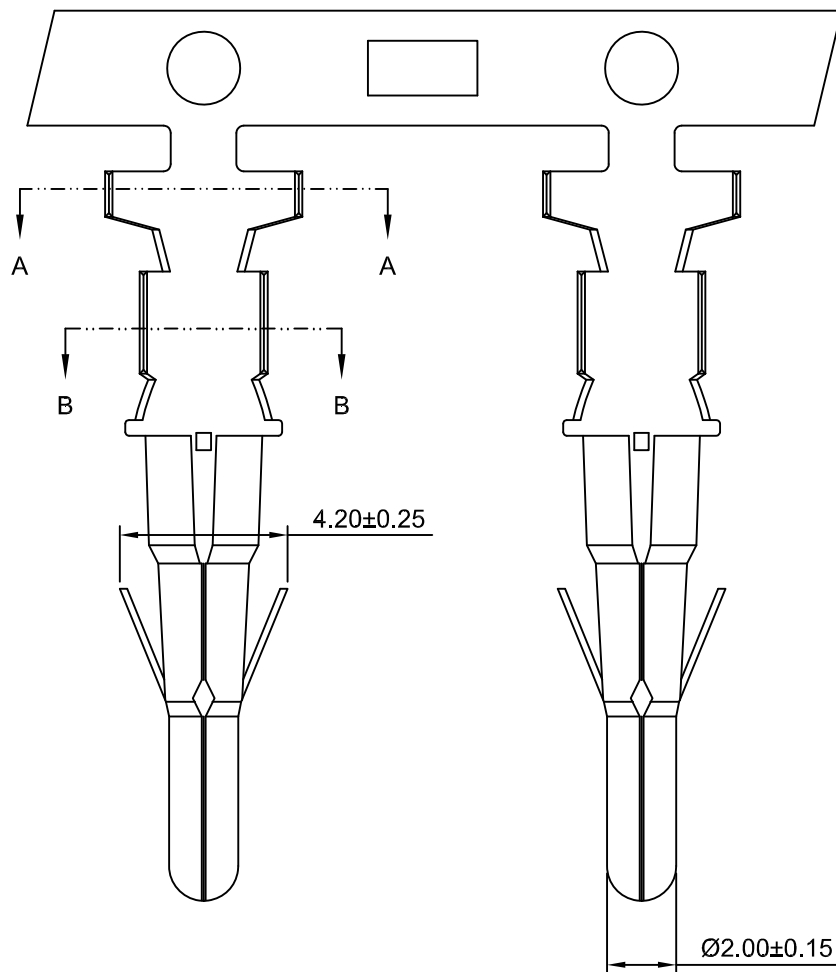
Optional Gold plating available but MOQ requested



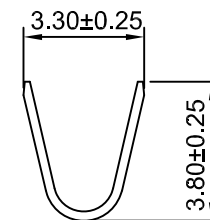
**深圳市华德共创科技有限公司**  
 SHENZHEN HUADE CO-CREATE TECHNOLOGY CO.,LTD  
 TEL : 0755-27129737 FAX : 0755-29940187

-TOLERANCES- UNLESS OTHERWISE SPECIFIED 公差参数表			 	TITLE: 6.20mm Pitch 产品名称: Crimp Terminal							
X.X	±0.30	X.X°	±3°	APPD: 核准:	XIE			PART NO: 产品编号:	HDGC6203F-T		
X.XX	±0.30	X.XX°	±2°	CHECK: 校对:	WANG			DATE	SCALE	UNIT	CODE NUMBER
X.XXX	±0.10	X.XXX°	±1°	DRAW: 绘图:	WANG			2015-04-12	5:1	mm	A008

修订 REV	标记 MARK	修改摘要 REVISION DESCRIPTION	签名 SIGNATURE	日期 DATE
AO		NEW RELEASE	WANG	2015-04-12



SEC: A-A



SEC: B-B

Ordering information & Specifications

Unit:mm

Part No	Wire Range	Insultion O.D.	Material	Finish	Qty/reel
HDGC6203M-TB	AWG#14-#24	4.10mm(max)	Brass	Tin over Nickel	2,500 PCS
HDGC6203M-GB	AWG#14-#24	4.10mm(max)	Brass	Gold over Nickel	2,500 PCS

Optional Gold plating available but MOQ requested



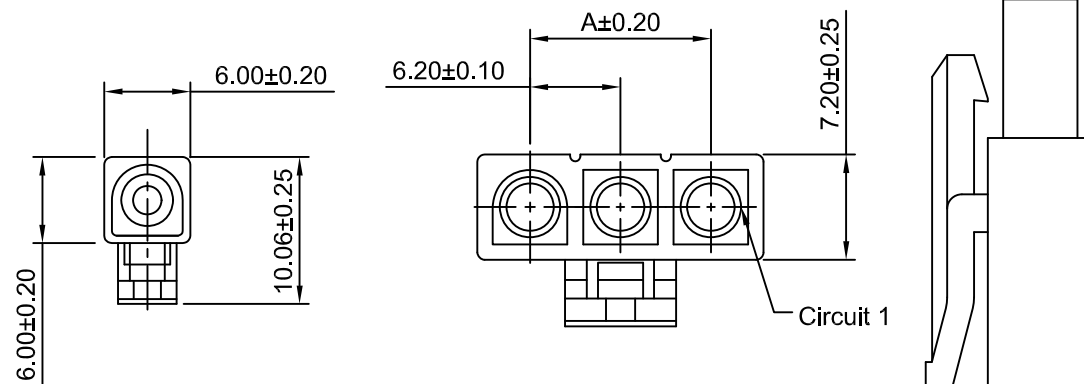
深圳市华德共创科技有限公司

SHENZHEN HUADE CO-CREATE TECHNOLOGY CO.,LTD

TEL : 0755-27129737 FAX : 0755-29940187

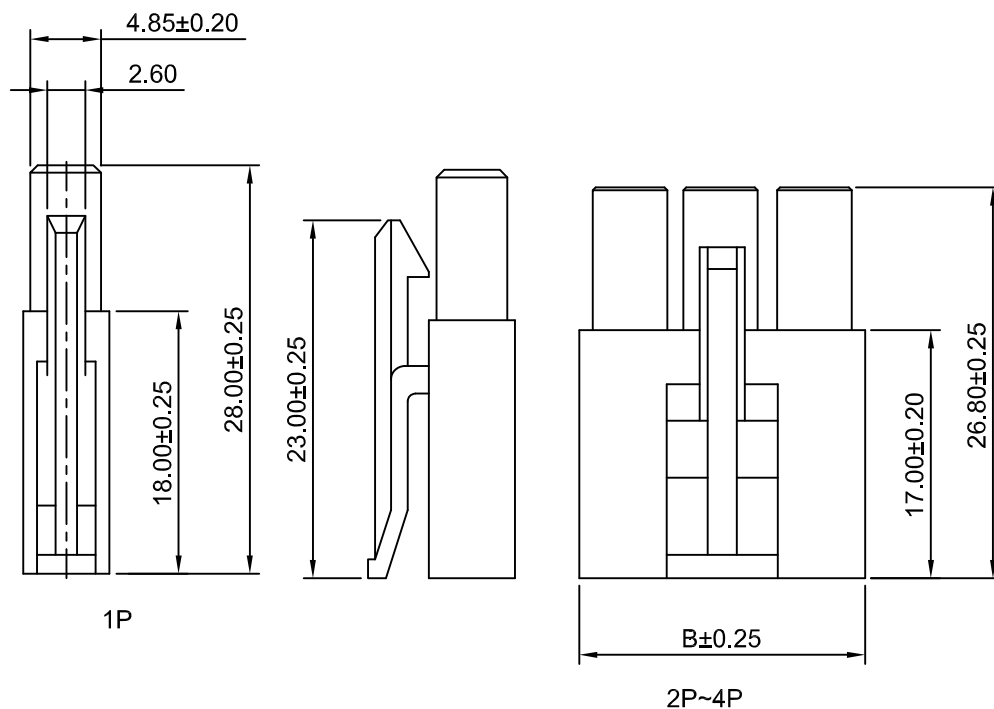
-TOLERANCES- UNLESS OTHERWISE SPECIFIED 公差参数表						TITLE: 产品名称: 6.20mm Pitch Crimp Terminal			
X.X	±0.30	X.X°	±3°	APPD: 核准:	XIE	PART NO: 产品编号: HDGC6203M-T			
X.XX	±0.30	X.XX°	±2°	CHECK: 校对:	WANG	DATE	SCALE	UNIT	CODE NUMBER
X.XXX	±0.10	X.XXX°	±1°	DRAW: 绘图:	WANG	2015-04-12	5:1	mm	A008

修订 REV	标记 MARK	修改摘要 REVISION DESCRIPTION	签名 SIGNATURE	日期 DATE
AO		NEW RELEASE	WANG	2015-04-12



Ordering Information:  
**HDGC6203HF-XP** - \* - \*\*  
 1 2 3

- Part No.
- Material:  
 (blank):UL94V-2  
 V0:UL94V-0
- Color:  
 (blank):Natural  
 WH:White  
 BK:Black



**SPECIFICATIONS:**

Current Rating: 10A AC,DC  
 Voltage Rating: 250V AC,DC  
 Temperature Range: -25°C ~ +85°C  
 Contact Resistance: 10mΩ Max  
 Insulation Resistance: 1000MΩ Min  
 Withstanding Voltage: 1500V AC/minute  
 Material: Nylon 66,UL94V-2(Natural)

**Ordering Information & Dimensions**

Circuits	Dimensions(mm)		Circuits	Dimensions(mm)	
	A	B		A	B
1P	----	----	3P	12.40	19.60
2P	6.20	13.40	4P	18.60	25.80



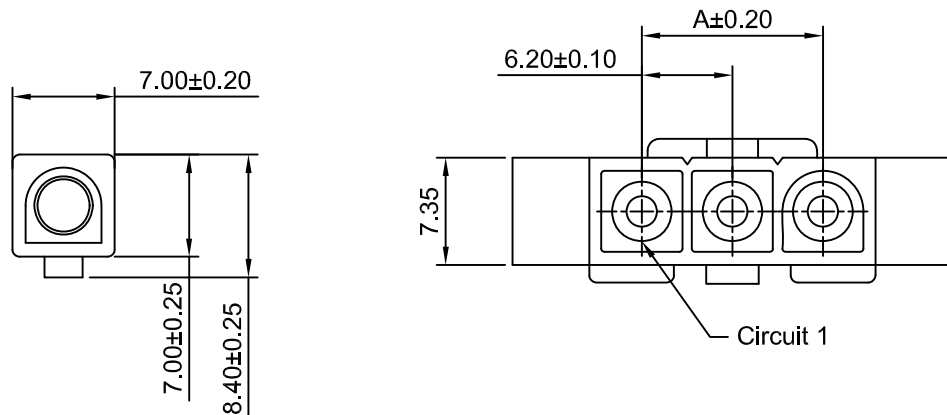
**深圳市华德共创科技有限公司**

SHENZHEN HUADE CO-CREATE TECHNOLOGY CO.,LTD

TEL : 0755-27129737 FAX : 0755-29940187

-TOLERANCES- UNLESS OTHERWISE SPECIFIED 公差参数表						TITLE: 6.20mm Pitch Housing 产品名称:			
X.X	±0.30	X.X°	±3°	APPD: 核准:	XIE	PART NO: 产品编号: HDGC6203HF-XP			
X.XX	±0.30	X.XX°	±2°	CHECK: 校对:	WANG	DATE	SCALE	UNIT	CODE NUMBER
X.XXX	±0.10	X.XXX°	±1°	DRAW: 绘图:	WANG	2015-04-12	2:1	mm	A008

修订 REV	标记 MARK	修改摘要 REVISION DESCRIPTION	签名 SIGNATURE	日期 DATE
AO		NEW RELEASE	WANG	2015-04-12



Ordering Information:

HDGC6203HM-XP - \* - \*\*  
1 2 3

1.Part No.

2.Material:

(blank):UL94V-2

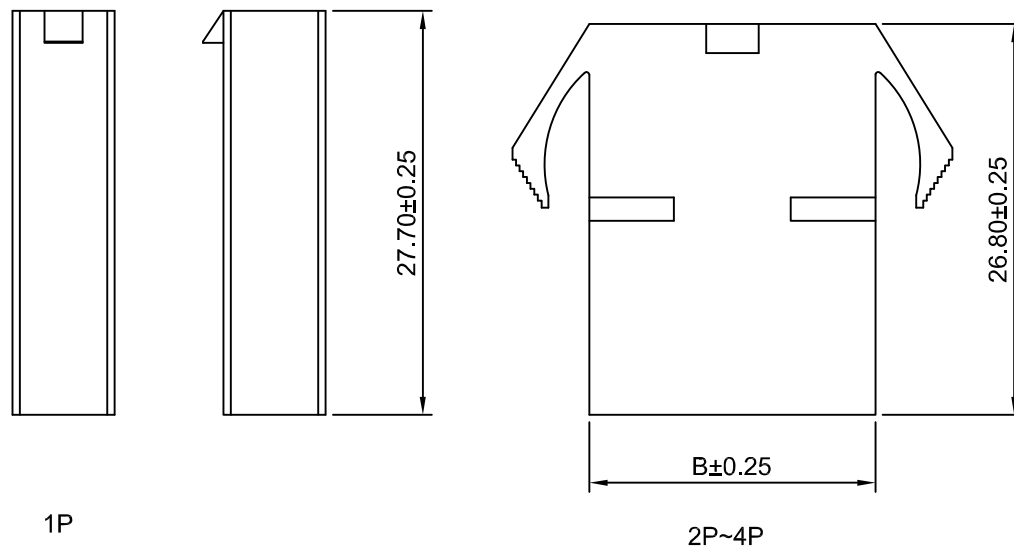
V0:UL94V-0

3.Color:

(blank):Natural

WH:White

BK:Black



SPECIFICATIONS:

Current Rating: 10A AC,DC

Voltage Rating: 250V AC,DC

Temperature Range: -25°C ~ +85°C

Contact Resistance: 10mΩ Max

Insulation Resistance: 1000MΩ Min

Withstanding Voltage: 1500V AC/minute

Material: Nylon 66,UL94V-2(Natural)

Ordering Information & Dimensions

Circuits	Dimensions(mm)		Circuits	Dimensions(mm)	
	A	B		A	B
1P	---	---	3P	12.40	19.60
2P	6.20	13.40	4P	18.60	25.80



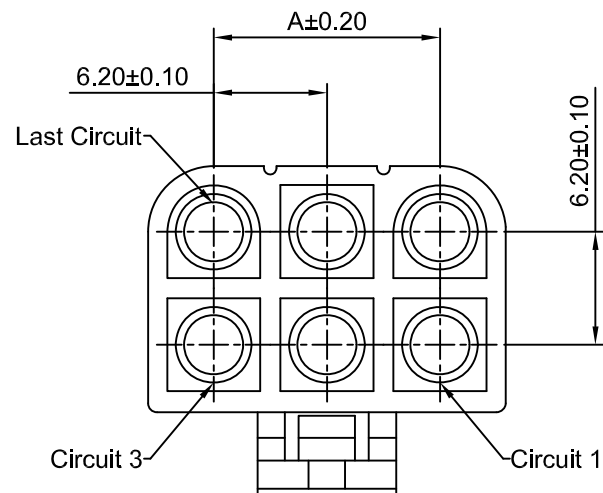
深圳市华德共创科技有限公司

SHENZHEN HUADE CO-CREATE TECHNOLOGY CO.,LTD

TEL : 0755-27129737 FAX : 0755-29940187

-TOLERANCES- UNLESS OTHERWISE SPECIFIED 公差参数表						TITLE: 6.20mm Pitch Housing 产品名称:			
X.X	±0.30	X.X°	±3°	APPD: 核准:	XIE	PART NO: 产品编号: HDGC6203HM-XP			
X.XX	±0.30	X.XX°	±2°	CHECK: 校对:	WANG	DATE	SCALE	UNIT	CODE NUMBER
X.XXX	±0.10	X.XXX°	±1°	DRAW: 绘图:	WANG	2015-04-12	2:1	mm	A008

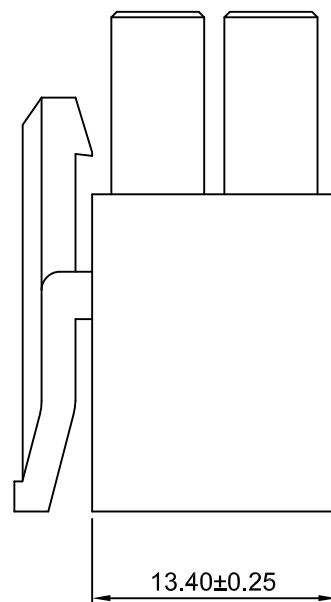
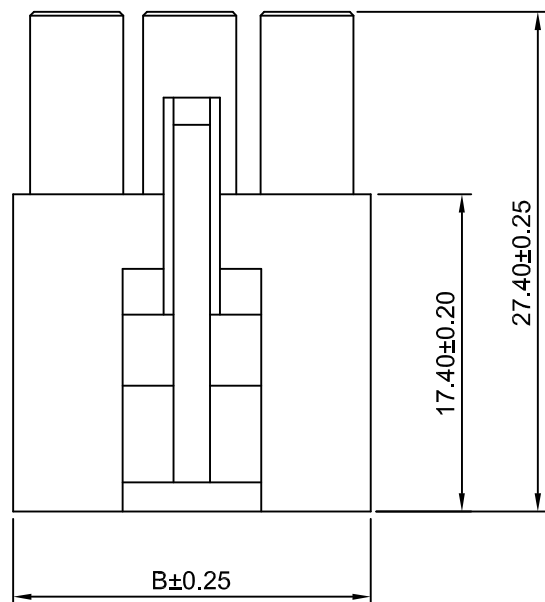
修订 REV	标记 MARK	修改摘要 REVISION DESCRIPTION	签名 SIGNATURE	日期 DATE
AO		NEW RELEASE	WANG	2015-04-12



Ordering Information:

HDGC6203HF-2xXP - \* - \*\*  
1 2 3

- 1.Part No.
- 2.Material:  
(blank):UL94V-2  
V0:UL94V-0
- 3.Color:  
(blank):Natural  
WH:White  
BK:Black



SPECIFICATIONS:

Current Rating: 10A AC,DC  
Voltage Rating: 250V AC,DC  
Temperature Range: -25°C ~ +85°C  
Contact Resistance: 10mΩ Max  
Insulation Resistance: 1000MΩ Min  
Withstanding Voltage: 1500V AC/minute  
Material: Nylon 66,UL94V-2(Natural)

Ordering Information & Dimensions

Circuits	Dimensions(mm)		Circuits	Dimensions(mm)	
	A	B		A	B
2x2P	6.20	13.40	2x3P	12.40	19.60



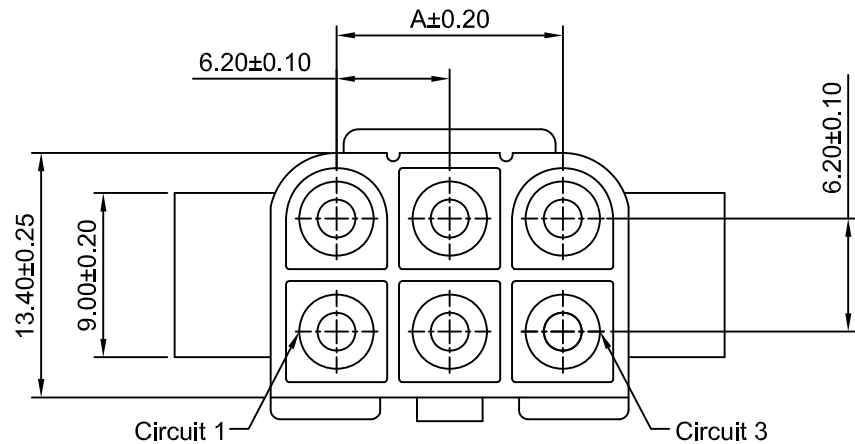
深圳市华德共创科技有限公司

SHENZHEN HUADE CO-CREATE TECHNOLOGY CO.,LTD

TEL : 0755-27129737 FAX : 0755-29940187

-TOLERANCES- UNLESS OTHERWISE SPECIFIED 公差参数表				TITLE: 产品名称: 6.20mm Pitch Housing	
X.X	±0.30	X.X°	±3°	APPD: 核准:	XIE
X.XX	±0.30	X.XX°	±2°	CHECK: 校对:	WANG
X.XXX	±0.10	X.XXX°	±1°	DRAW: 绘图:	WANG
PART NO: 产品编号:				HDGC6203HF-2xXP	
DATE		SCALE	UNIT	CODE NUMBER	
2015-04-12		2.5:1	mm	A008	

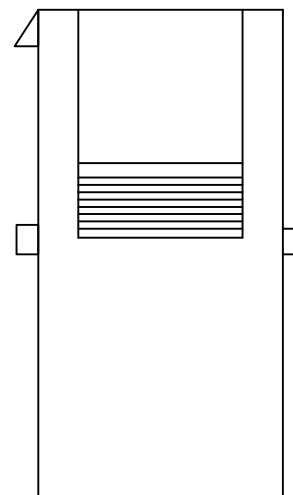
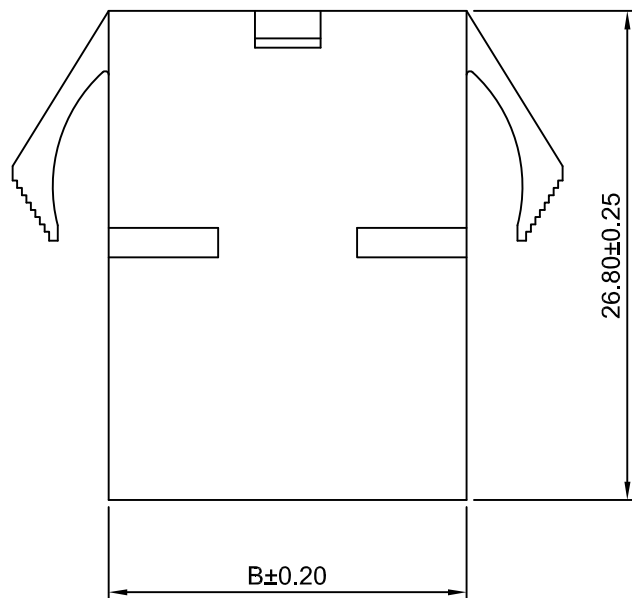
修订 REV	标记 MARK	修改摘要 REVISION DESCRIPTION	签名 SIGNATURE	日期 DATE
AO		NEW RELEASE	WANG	2015-04-12



Ordering Information:

HDGC6203HM-2xXP - \* - \*\*  
1 2 3

- Part No.
- Material:  
(blank):UL94V-2  
V0:UL94V-0
- Color:  
(blank):Natural  
WH:White  
BK:Black



SPECIFICATIONS:

Current Rating: 10A AC,DC  
Voltage Rating: 250V AC,DC  
Temperature Range:  $-25^{\circ}\text{C} \sim +85^{\circ}\text{C}$   
Contact Resistance: 10m $\Omega$  Max  
Insulation Resistance: 1000M $\Omega$  Min  
Withstanding Voltage: 1500V AC/minute  
Material: Nylon 66, UL94V-2(Natural)

Ordering Information & Dimensions

Circuits	Dimensions(mm)		Circuits	Dimensions(mm)	
	A	B		A	B
2x2P	6.20	13.40	2x3P	12.40	19.60



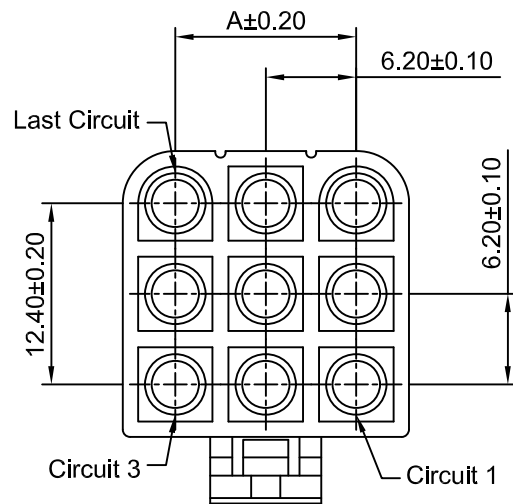
深圳市华德共创科技有限公司

SHENZHEN HUADE CO-CREATE TECHNOLOGY CO.,LTD

TEL : 0755-27129737 FAX : 0755-29940187

-TOLERANCES- UNLESS OTHERWISE SPECIFIED 公差参数表						TITLE: 6.20mm Pitch Housing 产品名称:			
X.X	$\pm 0.30$	X.X $^{\circ}$	$\pm 3^{\circ}$	APPD: 核准:	XIE	PART NO: 产品编号: HDGC6203HM-2xXP			
X.XX	$\pm 0.30$	X.XX $^{\circ}$	$\pm 2^{\circ}$	CHECK: 校对:	WANG	DATE	SCALE	UNIT	CODE NUMBER
X.XXX	$\pm 0.10$	X.XXX $^{\circ}$	$\pm 1^{\circ}$	DRAW: 绘图:	WANG	2015-04-12	2.5:1	mm	A008

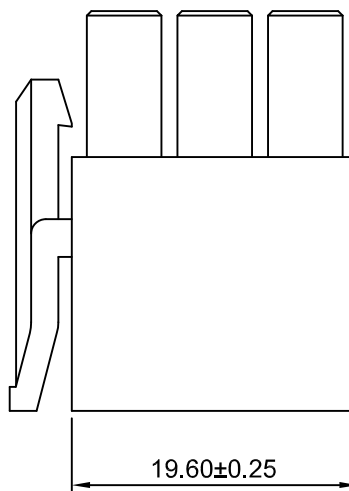
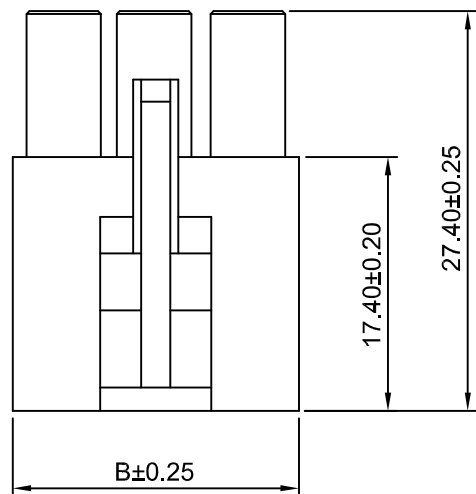
修订 REV	标记 MARK	修改摘要 REVISION DESCRIPTION	签名 SIGNATURE	日期 DATE
AO		NEW RELEASE	WANG	2015-04-12



Ordering Information:

HDGC6203HF-3xXP - \* - \*\*  
1 2 3

- Part No.
- Material:  
(blank):UL94V-2  
V0:UL94V-0
- Color:  
(blank):Natural  
WH:White  
BK:Black



SPECIFICATIONS:

Current Rating: 10A AC,DC  
Voltage Rating: 250V AC,DC  
Temperature Range:  $-25^{\circ}\text{C} \sim +85^{\circ}\text{C}$   
Contact Resistance: 10m $\Omega$  Max  
Insulation Resistance: 1000M $\Omega$  Min  
Withstanding Voltage: 1500V AC/minute  
Material: Nylon 66,UL94V-2(Natural)

Ordering Information & Dimensions

Circuits	Dimensions(mm)		Circuits	Dimensions(mm)	
	A	B		A	B
3x3P	12.40	19.60	3x5P	24.80	32.00
3x4P	18.60	25.80			



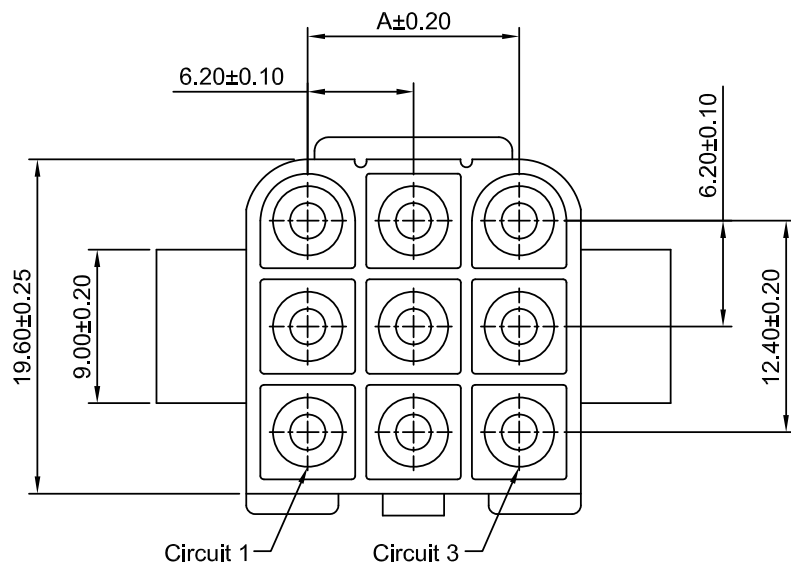
深圳市华德共创科技有限公司

SHENZHEN HUADE CO-CREATE TECHNOLOGY CO.,LTD

TEL : 0755-27129737 FAX : 0755-29940187

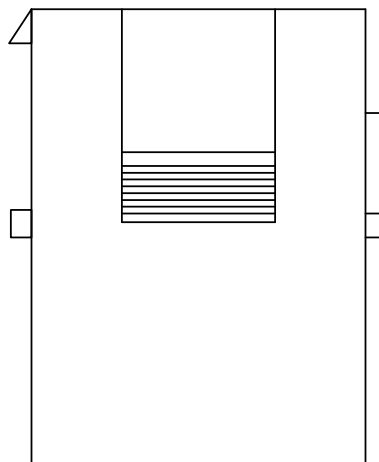
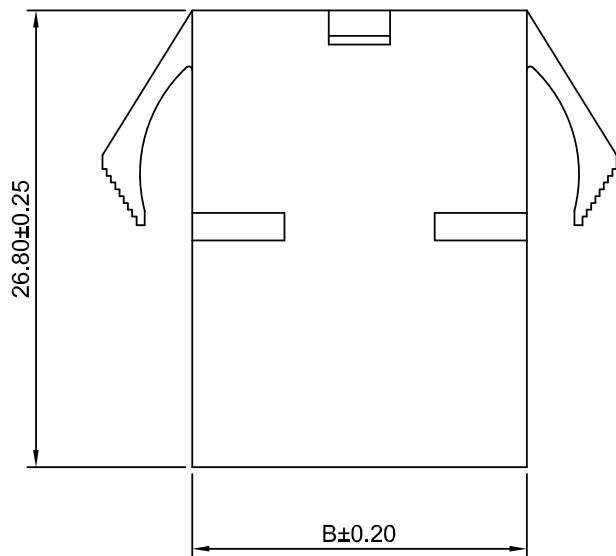
-TOLERANCES- UNLESS OTHERWISE SPECIFIED 公差参数表				TITLE: 产品名称: 6.20mm Pitch Housing	
X.X	$\pm 0.30$	X.X $^{\circ}$	$\pm 3^{\circ}$	APPD: 核准:	XIE
X.XX	$\pm 0.30$	X.XX $^{\circ}$	$\pm 2^{\circ}$	CHECK: 校对:	WANG
X.XXX	$\pm 0.10$	X.XXX $^{\circ}$	$\pm 1^{\circ}$	DRAW: 绘图:	WANG
				PART NO: 产品编号:	HDGC6203HF-3xXP
		DATE	SCALE	UNIT	CODE NUMBER
		2015-04-12	2:1	mm	A008

修订 REV	标记 MARK	修改摘要 REVISION DESCRIPTION	签名 SIGNATURE	日期 DATE
AO		NEW RELEASE	WANG	2015-04-12



Ordering Information:  
**HDGC6203HM-3xXP** - \* - \*\*  
 1 2 3

- 1.Part No.
- 2.Material:  
 (blank):UL94V-2  
 V0:UL94V-0
- 3.Color:  
 (blank):Natural  
 WH:White  
 BK:Black



**SPECIFICATIONS:**

Current Rating: 10A AC,DC  
 Voltage Rating: 250V AC,DC  
 Temperature Range: -25°C ~ +85°C  
 Contact Resistance: 10mΩ Max  
 Insulation Resistance: 1000MΩ Min  
 Withstanding Voltage: 1500V AC/minute  
 Material: Nylon 66,UL94V-2(Natural)

**Ordering Information & Dimensions**

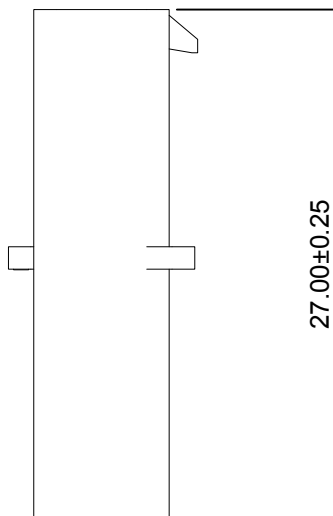
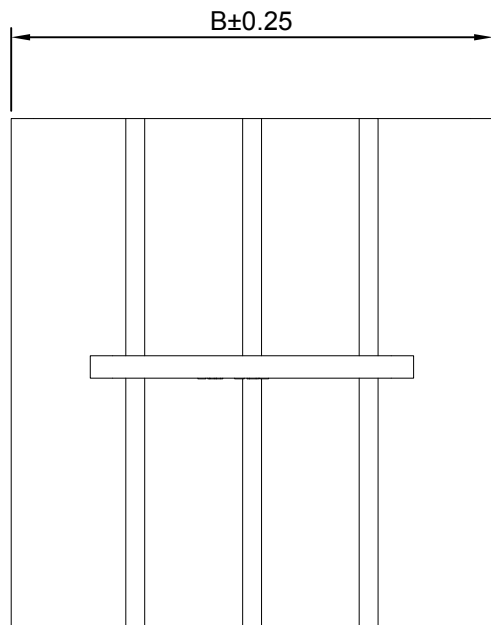
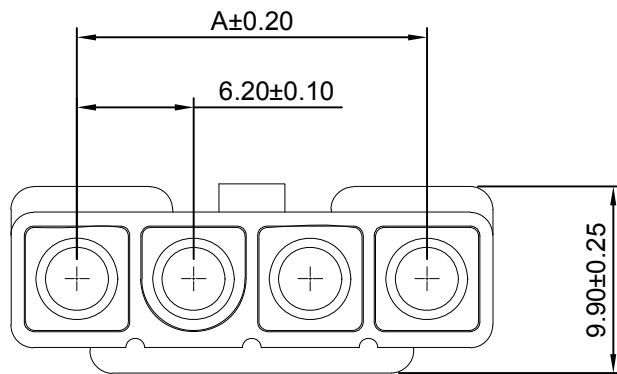
Circuits	Dimensions(mm)		Circuits	Dimensions(mm)	
	A	B		A	B
3x3P	12.40	19.60	3x5P	24.80	32.00
3x4P	18.60	25.80			

**HDGC** 深圳市华德共创科技有限公司  
 SHENZHEN HUADE CO-CREATE TECHNOLOGY CO.,LTD  
 TEL : 0755-27129737 FAX : 0755-29940187

-TOLERANCES- UNLESS OTHERWISE SPECIFIED 公差参数表						TITLE: 产品名称: 6.20mm Pitch Housing			
X.X	±0.30	X.X°	±3°	APPD: 核准:	XIE	PART NO: 产品编号: HDGC6203HM-3xXP			
X.XX	±0.30	X.XX°	±2°	CHECK: 校对:	WANG	DATE	SCALE	UNIT	CODE NUMBER
X.XXX	±0.10	X.XXX°	±1°	DRAW: 绘图:	WANG	2015-04-12	2.5:1	mm	A008



修订 REV	标记 MARK	修改摘要 REVISION DESCRIPTION	签名 SIGNATURE	日期 DATE
AO		NEW RELEASE	WANG	2015-04-12



Ordering Information:

HDGC6203HMA-XP - \* - \*\*

1      2      3

1.Part No.

2.Material:

(blank):UL94V-2

V0:UL94V-0

3.Color:

(blank):Natural

WH:White

BK:Black

SPECIFICATIONS:

Current Rating: 10A AC,DC

Voltage Rating: 250V AC,DC

Temperature Range: -25°C ~ +85°C

Contact Resistance: 10mΩ Max

Insulation Resistance: 1000MΩ Min

Withstanding Voltage: 1500V AC/minute

Material: Nylon 66,UL94V-2(Natural)

Ordering Information & Dimensions

Circuits	Dimensions(mm)		Circuits	Dimensions(mm)	
	A	B		A	B
2P	6.20	13.20	4P	18.60	25.60
3P	12.40	19.40			



深圳市华德共创科技有限公司

SHENZHEN HUADE CO-CREATE TECHNOLOGY CO.,LTD

TEL : 0755-27129737 FAX : 0755-29940187

-TOLERANCES- UNLESS OTHERWISE SPECIFIED 公差参数表						TITLE: 6.20mm Pitch Housing 产品名称:			
X.X	±0.30	X.X°	±3°	APPD: 核准:	XIE	PART NO: 产品编号: HDGC6203HMA-XP			
X.XX	±0.30	X.XX°	±2°	CHECK: 校对:	WANG	DATE	SCALE	UNIT	CODE NUMBER
X.XXX	±0.10	X.XXX°	±1°	DRAW: 绘图:	WANG	2015-04-12	2.5:1	mm	A008