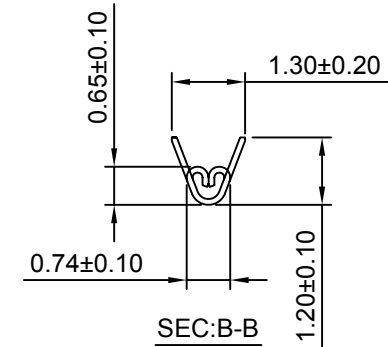
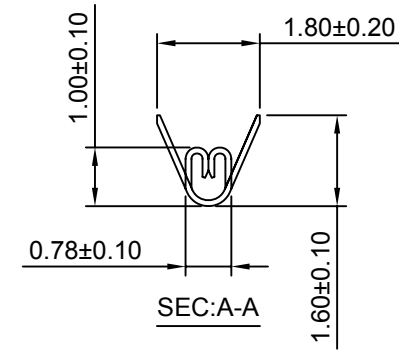
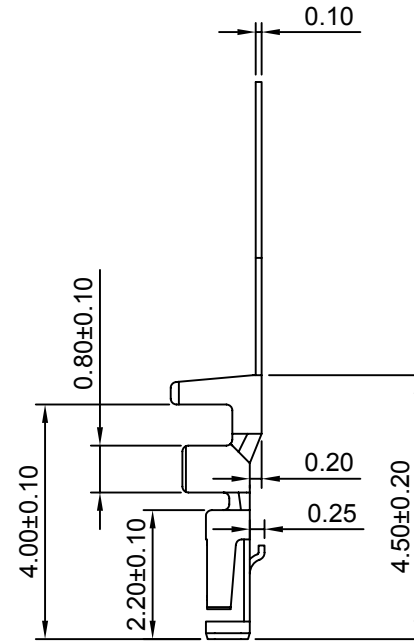
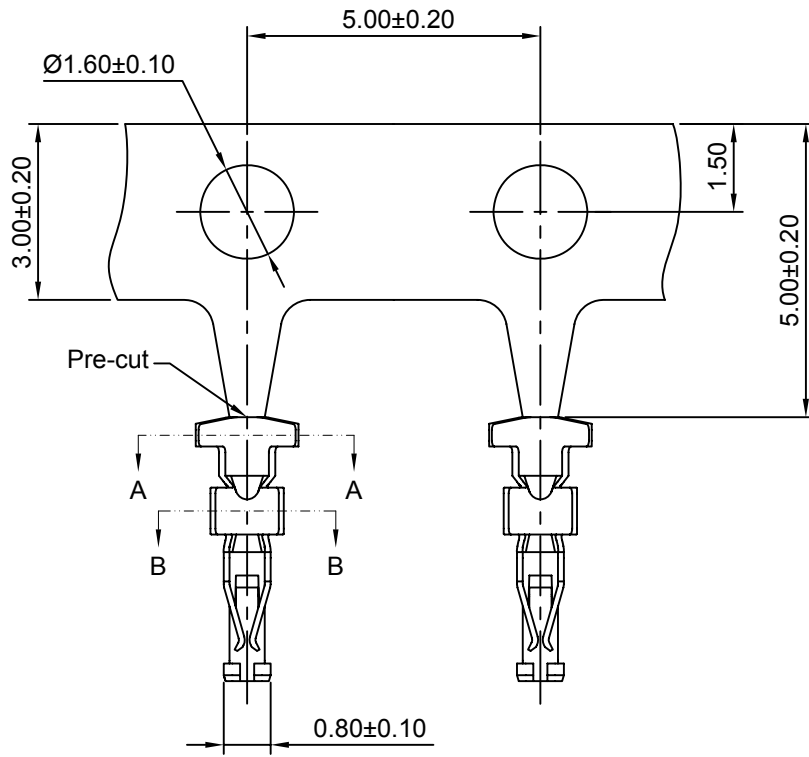


修订 REV	标记 MARK	修改摘要 REVISION DESCRIPTION	签名 SIGNATURE	日期 DATE
AO		NEW RELEASE	WANG	2014-04-23



Ordering information & Specifications

Unit:mm

Part No	Wire Range	Insulation O.D.	Material	Finish	Qty/reel
HDGC1007-TP	AWG#28-#32	0.80mm(max)	Phosphor Bronze	Tin over Nickel	15,000 PCS
HDGC1007-TP	AWG#28-#32	0.80mm(max)	Phosphor Bronze	Gold over Nickel	15,000 PCS

Optional Gold plating available but MOQ requested



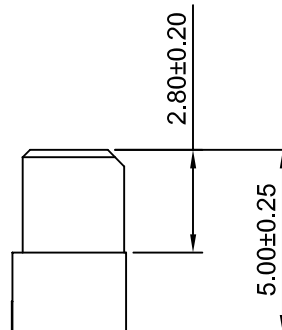
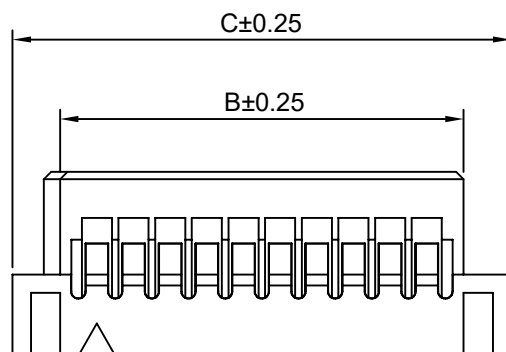
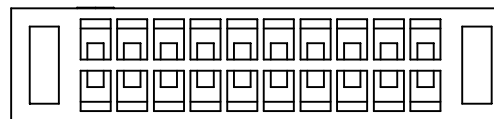
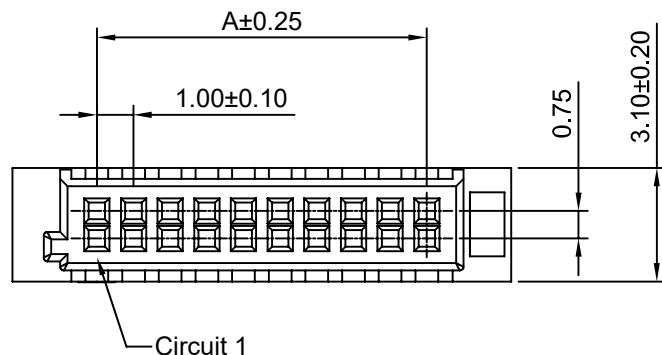
深圳市华德共创科技有限公司

Shenzhen Huade co-create Technology Co.,LTD

TEL : 0755-27129737 FAX : 0755-29940187

-TOLERANCES- UNLESS OTHERWISE SPECIFIED 公差参数表						TITLE: 1.00mm Pitch 产品名称: Crimp Terminal			
X.X	±0.30	X.X°	±3°	APPD: 核准:	XIE	PART NO: 产品编号: HDGC1007-T			
X.XX	±0.30	X.XX°	±2°	CHECK: 校对:	WANG	DATE	SCALE	UNIT	CODE NUMBER
X.XXX	±0.10	X.XXX°	±1°	DRAW: 绘图:	WANG	2014-04-23	8:1	mm	A008

修订 REV	标记 MARK	修改摘要 REVISION DESCRIPTION	签名 SIGNATURE	日期 DATE
AO		NEW RELEASE	WANG	2014-04-23



Ordering Information & Dimensions

Circuits	Dimensions(mm)			Circuits	Dimensions(mm)		
	A	B	C		A	B	C
2x3P	2.00	4.00	6.60	2x15P	14.00	16.00	18.60
2x4P	3.00	5.00	7.60	2x16P	15.00	17.00	19.60
2x5P	4.00	6.00	8.60	2x17P	16.00	18.00	20.60
2x6P	5.00	7.00	9.60	2x18P	17.00	19.00	21.60
2x7P	6.00	8.00	10.60	2x19P	18.00	20.00	22.60
2x8P	7.00	9.00	11.60	2x20P	19.00	21.00	23.60
2x9P	8.00	10.00	12.60	2x21P	20.00	22.00	24.60
2x10P	9.00	11.00	13.60	2x22P	21.00	23.00	25.60
2x11P	10.00	12.00	14.60	2x23P	22.00	24.00	26.60
2x12P	11.00	13.00	15.60	2x24P	23.00	25.00	27.60
2x13P	12.00	14.00	16.60	2x25P	24.00	26.00	28.60
2x14P	13.00	15.00	17.60				

SPECIFICATIONS:

Current Rating: 1A AC,DC
Voltage Rating: 100V AC,DC
Temperature Range: -25°C ~ +85°C
Contact Resistance: 40mΩ Max.
Insulation Resistance: 100MΩ Min.
Withstanding Voltage: 500V AC/minute
Material:Nylon 66 UL94-V0 (White)



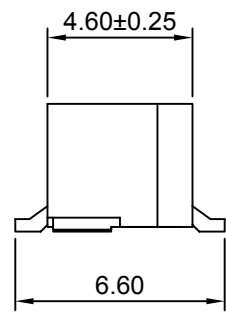
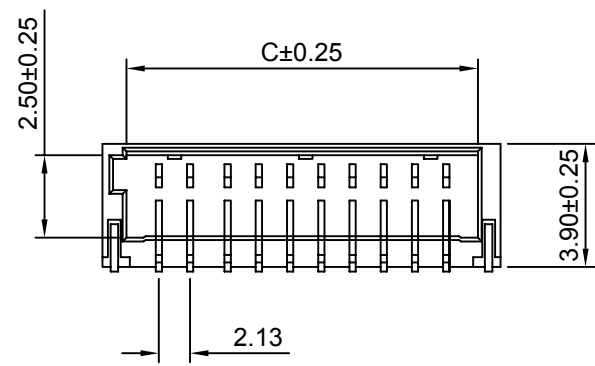
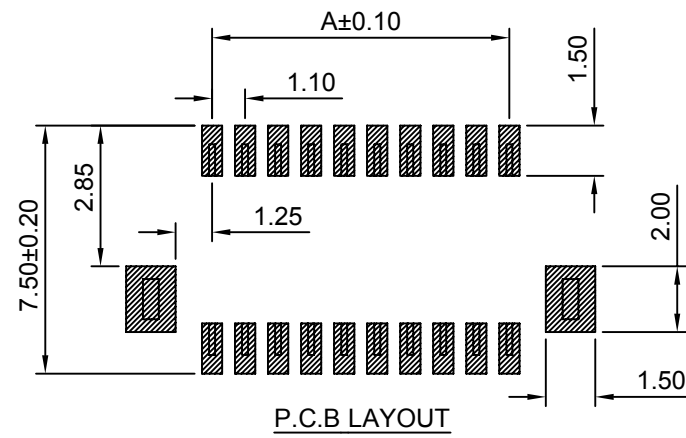
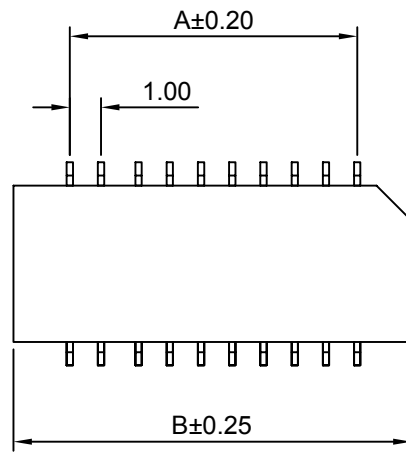
深圳市华德共创科技有限公司

Shenzhen Huade co-create Technology Co.,LTD

TEL : 0755-27129737 FAX : 0755-29940187

-TOLERANCES- UNLESS OTHERWISE SPECIFIED 公差参数表						TITLE: 产品名称 : 1.00mm Pitch Housing			
X.X	±0.30	X.X°	±3°	APPD: 核准:	XIE	PART NO: 产品编号 : HDGC1007H-2xXP			
X.XX	±0.30	X.XX°	±2°	CHECK: 校对:	WANG	DATE	SCALE	UNIT	CODE NUMBER
X.XXX	±0.10	X.XXX°	±1°	DRAW: 绘图:	WANG	2014-04-23	5:1	mm	A008

修订 REV	标记 MARK	修改摘要 REVISION DESCRIPTION	签名 SIGNATURE	日期 DATE
AO		NEW RELEASE	WANG	2014-04-23



Ordering Information & Dimensions

Circuits	Dimensions(mm)			Circuits	Dimensions(mm)		
	A	B	C		A	B	C
2x3P	2.00	5.60	4.20	2x15P	14.00	17.60	16.20
2x4P	3.00	6.60	5.20	2x16P	15.00	18.60	17.20
2x5P	4.00	7.60	6.20	2x17P	16.00	19.60	18.20
2x6P	5.00	8.60	7.20	2x18P	17.00	20.60	19.20
2x7P	6.00	9.60	8.20	2x19P	18.00	21.60	20.20
2x8P	7.00	10.60	9.20	2x20P	19.00	22.60	21.20
2x9P	8.00	11.60	10.20	2x21P	20.00	23.60	22.20
2x10P	9.00	12.60	11.20	2x22P	21.00	24.60	23.20
2x11P	10.00	13.60	12.20	2x23P	22.00	25.60	24.20
2x12P	11.00	14.60	13.20	2x24P	23.00	26.60	25.20
2x13P	12.00	15.60	14.20	2x25P	24.00	27.60	26.20
2x14P	13.00	16.60	15.20				

SPECIFICATIONS:

Current Rating: 1A AC,DC
Voltage Rating: 50V AC,DC
Temperature Range: -25°C ~ +85°C
Contact Resistance: 20mΩ Max.
Insulation Resistance: 100MΩ Min.
Withstanding Voltage: 500V AC/minute
Pin Material: Phosphor Bronze/Tin-plated
Material: Nylon 9T,UL94V-0(White)

HDGC 深圳市华德共创科技有限公司
Shenzhen Huade co-create Technology Co.,LTD
TEL : 0755-27129737 FAX : 0755-29940187

-TOLERANCES- UNLESS OTHERWISE SPECIFIED 公差参数表						TITLE: 1.00mm Pitch 产品名称: 90° Wafer			
X.X	±0.30	X.X°	±3°	APPD: 核准:	XIE	PART NO: 产品编号: HDGC1007WR-S-2xXP			
X.XX	±0.30	X.XX°	±2°	CHECK: 校对:	WANG	DATE	SCALE	UNIT	CODE NUMBER
X.XXX	±0.10	X.XXX°	±1°	DRAW: 绘图:	WANG	2014-04-23	2:1	mm	A008