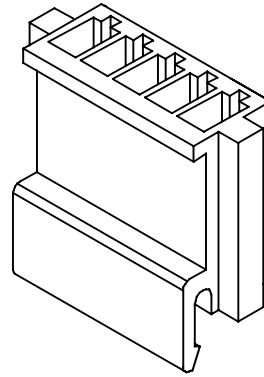
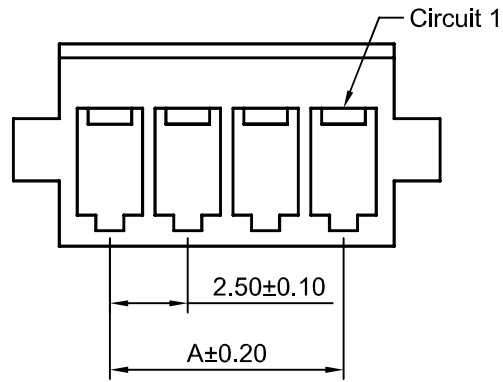


修订 REV	标记 MARK	修改摘要 REVISION DESCRIPTION	签名 SIGNATURE	日期 DATE
AO		NEW RELEASE	WANG	2013-05-17

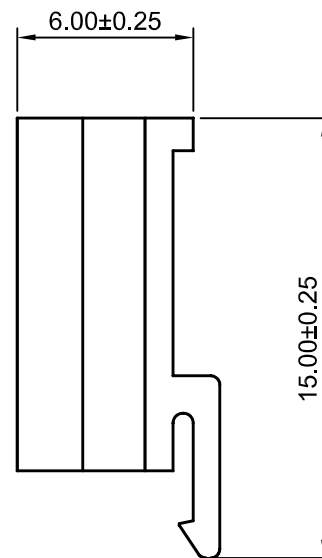
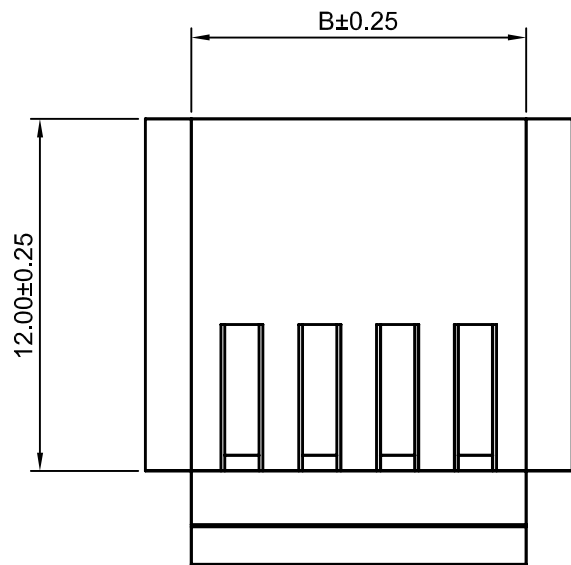


SPECIFICATIONS:

Current Rating: 3A AC,DC
Voltage Rating: 250V AC,DC
Temperature Range: -25°C ~ +85°C
Contact Resistance: 15mΩ Max
Insulation Resistance: 1000MΩ Min
Withstanding Voltage: 1000V AC/minute
Material: Nylon 66,UL94V-0(White)

Ordering Information & Dimensions

Circuits	Dimensions(mm)		Circuits	Dimensions(mm)	
	A	B		A	B
2P	2.50	5.70	14P	32.50	35.70
3P	5.00	8.20	15P	35.00	38.20
4P	7.50	10.70	16P	37.50	40.70
5P	10.00	13.20	17P	40.00	43.20
6P	12.50	15.70	18P	42.50	45.70
7P	15.00	18.20	19P	45.00	48.20
8P	17.50	20.70	20P	47.50	50.70
9P	20.00	23.20	21P	50.00	53.20
10P	22.50	25.70	22P	52.50	55.70
11P	25.00	28.20	23P	55.00	58.20
12P	27.50	30.70	24P	57.50	60.70
13P	30.00	33.20	25P	60.00	63.20



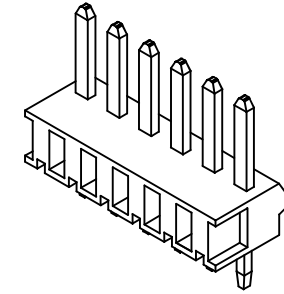
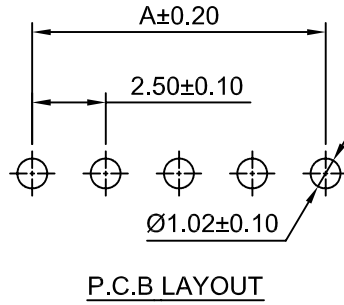
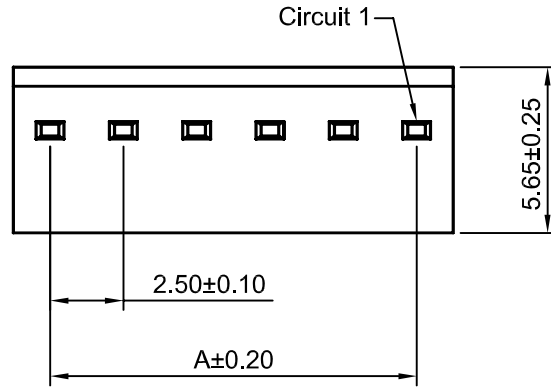
深圳市华德共创科技有限公司

Shenzhen Huade co-create Technology Co.,LTD

TEL : 0755-27129737 FAX : 0755-29940187

-TOLERANCES- UNLESS OTHERWISE SPECIFIED 公差参数表						TITLE: 产品名称 : 2.0mm PITCH HOUSING			
X.X	±0.30	X.X°	±3°	APPD: 核准:	XIE	PART NO: 产品编号 : HDGC2504H-XP			
X.XX	±0.30	X.XX°	±2°	CHECK: 校对:	WANG	DATE	SCALE	UNIT	CODE NUMBER
X.XXX	±0.10	X.XXX°	±1°	DRAW: 绘图:	WANG	2013-05-17	4:1	mm	A008

修订 REV	标记 MARK	修改摘要 REVISION DESCRIPTION	签名 SIGNATURE	日期 DATE
AO		NEW RELEASE	WANG	2013-05-17

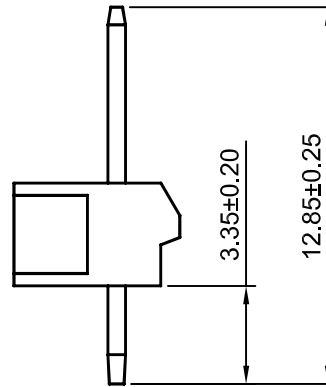
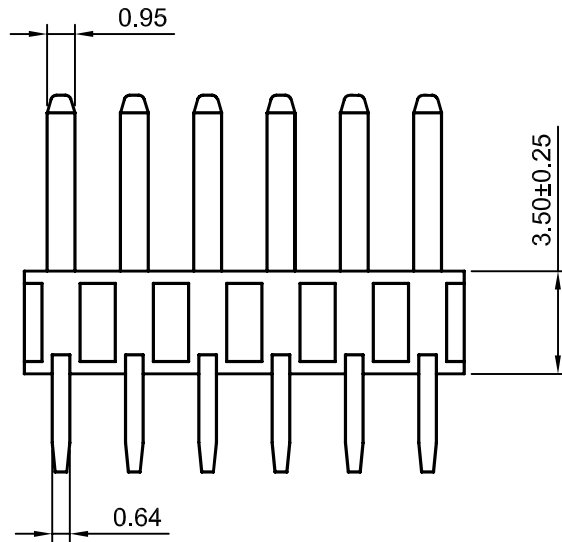


SPECIFICATIONS:

Current Rating: 3A AC,DC
Voltage Rating: 250V AC,DC
Temperature Range: -25°C ~ +85°C
Contact Resistance: 15mΩ Max
Insulation Resistance: 1000MΩ Min
Withstanding Voltage: 1000V AC/minute
Pin Material: Brass/Tin over Nickel
Material: Nylon 66,UL94V-0(White)

Ordering Information & Dimensions

Circuits	Dim(mm)	Circuits	Dim(mm)	Circuits	Dim(mm)
	A		A		A
2P	2.50	10P	22.50	18P	42.50
3P	5.00	11P	25.00	19P	45.00
4P	7.50	12P	27.50	20P	47.50
5P	10.00	13P	30.00	21P	50.00
6P	12.50	14P	32.50	22P	52.50
7P	15.00	15P	35.00	23P	55.00
8P	17.50	16P	37.50	24P	57.50
9P	20.00	17P	40.00	25P	60.00



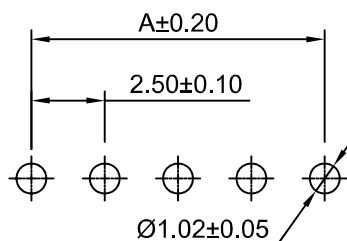
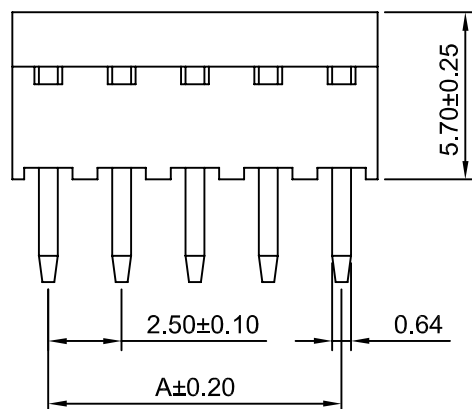
深圳市华德共创科技有限公司

Shenzhen Huade co-create Technology Co.,LTD

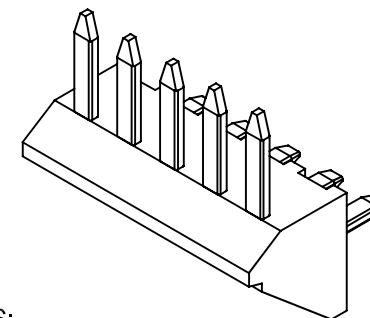
TEL : 0755-27129737 FAX : 0755-29940187

-TOLERANCES- UNLESS OTHERWISE SPECIFIED 公差参数表						TITLE: 产品名称 2.50mm Pitch 180° Wafer			
X.X	±0.30	X.X°	±3°	APPD: 核准:	XIE	PART NO: 产品编号: HDGC2504WV-XP			
X.XX	±0.30	X.XX°	±2°	CHECK: 校对:	WANG	DATE	SCALE	UNIT	CODE NUMBER
X.XXX	±0.10	X.XXX°	±1°	DRAW: 绘图:	WANG	2013-05-17	4:1	mm	A008

修订 REV	标记 MARK	修改摘要 REVISION DESCRIPTION	签名 SIGNATURE	日期 DATE
AO		NEW RELEASE	WANG	2013-05-17



P.C.B LAYOUT

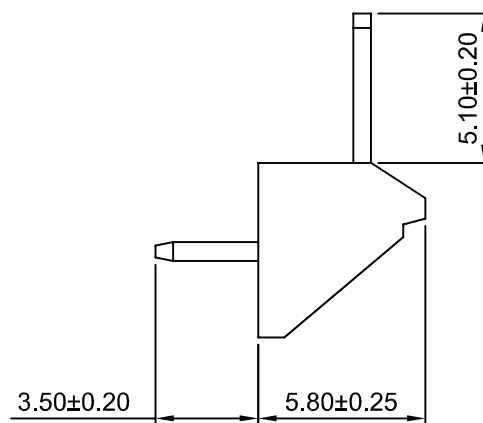
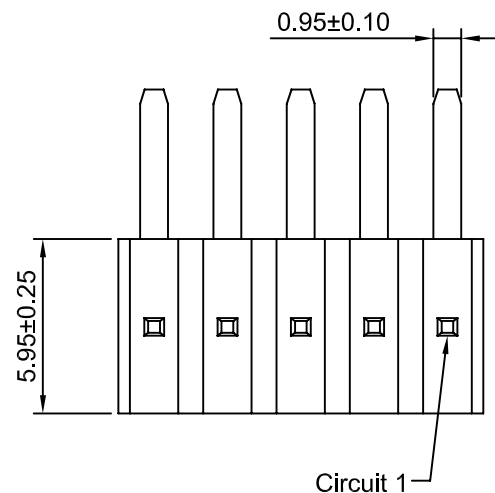


SPECIFICATIONS:

Current Rating: 3A AC,DC
Voltage Rating: 250V AC,DC
Temperature Range: -25°C ~ +85°C
Contact Resistance: 15mΩ Max
Insulation Resistance: 1000MΩ Min
Withstanding Voltage: 1000V AC/minute
Pin Material: Brass/Tin over Nickel
Material: Nylon 66,UL94V-0(White)

Ordering Information & Dimensions

Circuits	Dim(mm)		Circuits	Dim(mm)		Circuits	Dim(mm)	
	A	A		A	A			
2P	2.50		10P	22.50		18P	42.50	
3P	5.00		11P	25.00		19P	45.00	
4P	7.50		12P	27.50		20P	47.50	
5P	10.00		13P	30.00		21P	50.00	
6P	12.50		14P	32.50		22P	52.50	
7P	15.00		15P	35.00		23P	55.00	
8P	17.50		16P	37.50		24P	57.50	
9P	20.00		17P	40.00		25P	60.00	



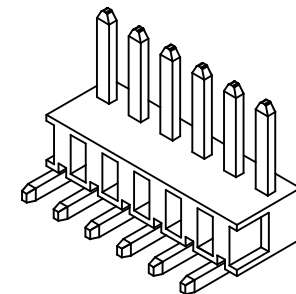
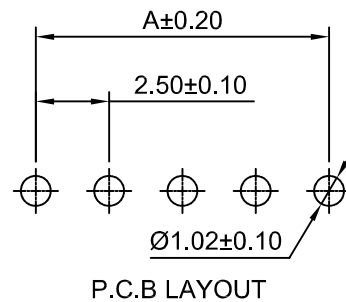
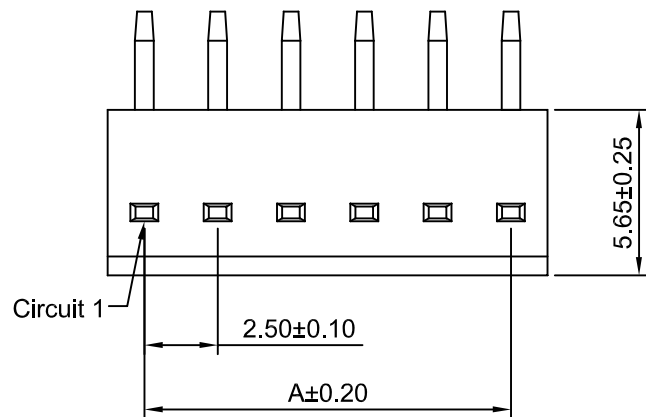
深圳市华德共创科技有限公司

Shenzhen Huade co-create Technology Co.,LTD

TEL : 0755-27129737 FAX : 0755-29940187

-TOLERANCES- UNLESS OTHERWISE SPECIFIED 公差参数表						TITLE: 产品名称 2.50mm Pitch 90° Wafer			
X.X	±0.30	X.X°	±3°	APPD: 核准:	XIE	PART NO: 产品编号: HDGC2504WR-XP			
X.XX	±0.30	X.XX°	±2°	CHECK: 校对:	WANG	DATE	SCALE	UNIT	CODE NUMBER
X.XXX	±0.10	X.XXX°	±1°	DRAW: 绘图:	WANG	2013-05-17	4:1	mm	A008

修订 REV	标记 MARK	修改摘要 REVISION DESCRIPTION	签名 SIGNATURE	日期 DATE
AO		NEW RELEASE	WANG	2013-05-17

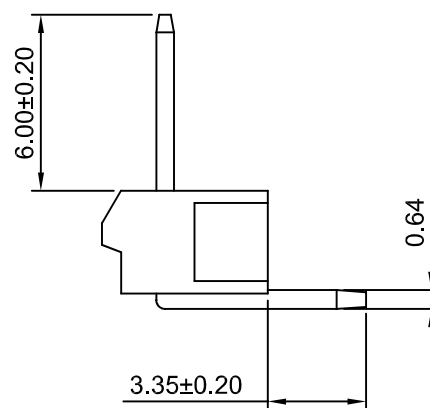
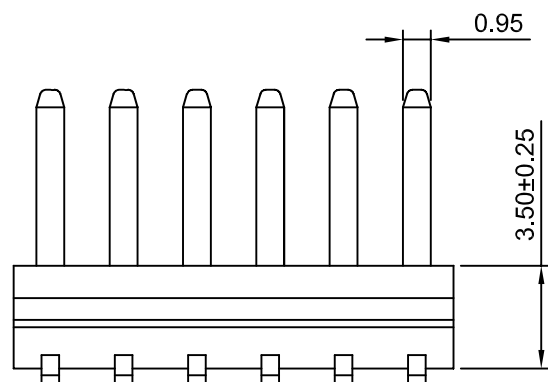


SPECIFICATIONS:

Current Rating: 3A AC,DC
Voltage Rating: 250V AC,DC
Temperature Range: -25°C ~ +85°C
Contact Resistance: 15mΩ Max
Insulation Resistance: 1000MΩ Min
Withstanding Voltage: 1000V AC/minute
Pin Material: Brass/Tin over Nickel
Material: Nylon 66,UL94V-0(White)

Ordering Information & Dimensions

Circuits	Dim(mm)	Circuits	Dim(mm)	Circuits	Dim(mm)
	A		A		A
2P	2.50	10P	22.50	18P	42.50
3P	5.00	11P	25.00	19P	45.00
4P	7.50	12P	27.50	20P	47.50
5P	10.00	13P	30.00	21P	50.00
6P	12.50	14P	32.50	22P	52.50
7P	15.00	15P	35.00	23P	55.00
8P	17.50	16P	37.50	24P	57.50
9P	20.00	17P	40.00	25P	60.00



HDGC 深圳市华德共创科技有限公司
Shenzhen Huade co-create Technology Co.,LTD
TEL : 0755-27129737 FAX : 0755-29940187

-TOLERANCES- UNLESS OTHERWISE SPECIFIED 公差参数表				 		TITLE: 产品名称: 2.50mm Pitch 90° Wafer			
X.X	±0.30	X.X°	±3°	APPD: 核准:	XIE	PART NO: 产品编号: HDGC2504WRA-XP			
X.XX	±0.30	X.XX°	±2°	CHECK: 校对:	WANG	DATE	SCALE	UNIT	CODE NUMBER
X.XXX	±0.10	X.XXX°	±1°	DRAW: 绘图:	WANG	2013-05-17	4:1	mm	A008